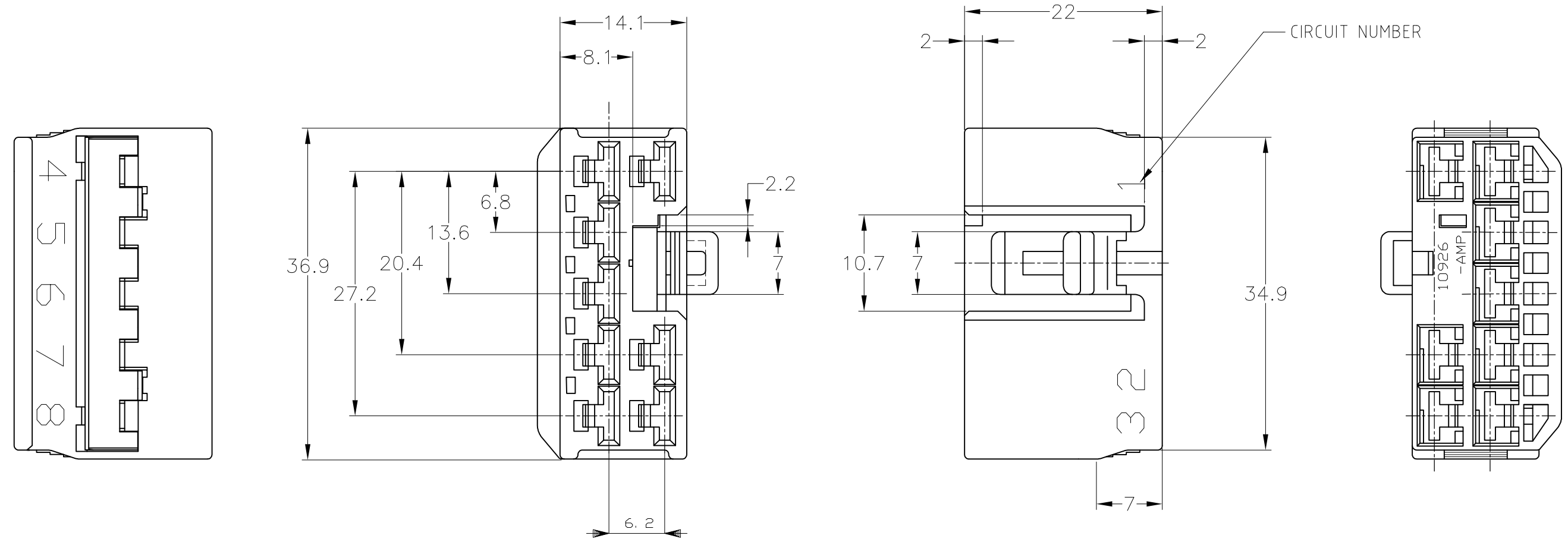


THIS DRAWING IS UNPUBLISHED. RELEASED FOR PUBLICATION  
 © COPYRIGHT BY TYCO ELECTRONICS CORPORATION. ALL RIGHTS RESERVED.

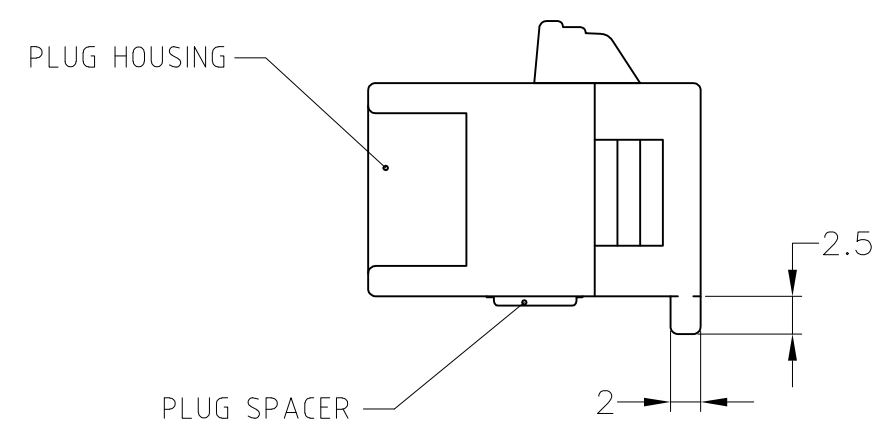
LOC	DIST	REVISIONS 変更			
P	LTR	DESCRIPTION	DATE	DWN	APVD
J	—	01 REVISED	ECR-06-015820	29JUN06	TS KB
		02 REVISED PER ECO-10-000443		12JAN10	KK AEG



1. MATING PART NUMBER : 175978

1. 嵌合相手型番 : 175978

△ OBSOLETE PARTS: OBSOLETE CIS STREAMLINING PER D.RENAUD/D.SINISI



△ OBSOLETE	COLOR	PART NUMBER
	LIGHT GRAY	6-175979-6
	DARK GRAY	<del>175979-6</del>
	BLACK	175979-2
	NATURAL	175979-1

TOLERANCES UNLESS OTHERWISE SPECIFIED:  
一般公差

10 ≥	±0.2
30 ≥	> 10 : ±0.25
100 ≥	> 30 : ±0.3
ANGLE	±3°

THIS DRAWING IS A CONTROLLED DOCUMENT.		DWN T.SHINOHARA 29JUN06	Tyco Electronics AMP K.K. Kawasaki, Japan	
DIMENSIONS: 単位: 耗 mm	TOLERANCES UNLESS OTHERWISE SPECIFIED: 一般公差	CHK K.BETSUI 29JUN06	NAME 名称	
	0 PLC ±-	APVD K.BETSUI 29JUN06	PRODUCT SPEC 製品規格 108-5303	
	1 PLC ±-		APPLICATION SPEC 取付適用規格	
MATERIAL 材料 PBT	FINISH 仕上 -	WEIGHT -	SIZE A3	CAGE CODE 00779
		DRAWING NO 番号 G-175979		RESTRICTED TO -
		CUSTOMER DRAWING		SCALE 尺度 2:1
				SHEET 1 OF 1
				REV 02