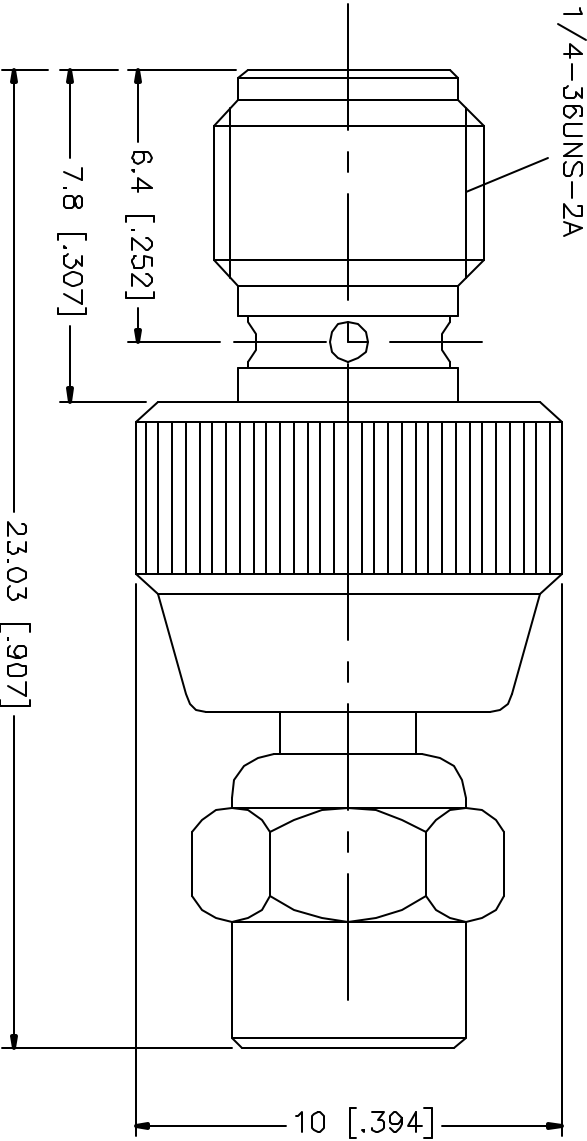


REV.	DATE	DESCRIPTION
NC	10/31/01	INITIAL RELEASE



8				UNLESS OTHERWISE SPECIFIED DIMENSIONS ARE IN MILLIMETERS	APPROVALS	DATE	<b>comnex</b> Connector Corporation SMA JACK TO SMC PLUG ADAPTOR			
7				DIMENSIONS IN [ ] ARE IN INCHES FOR CUSTOMER REFERENCE ONLY	DRAWN	10/31/01				
6				UNLESS OTHERWISE SPECIFIED TOLERANCES FOR MILLIMETERS ARE	CHECKED					
5				0.5-6 = ± 0.2	ISSUED					
4				6-30 = ± 0.4						
3	CONTACT PIN	BER COPPER	GOLD	30-120 = ± 0.6						
2	INSULATOR	TEFLON	NATURAL	120-315 = ± 1			SIZE	FSQM NO	DWG NO	REV.
1	BODY	BRASS	GOLD	315-1000 = ± 1.6			A	99001	242175.DWG	NC
	DESCRIPTION	MATERIAL	FINISH	1000-2000 = ± 2.4			SCALE	PART NO.	SHEET	
				DO NOT SCALE DRAWING			NA	242175	1 OF 1	