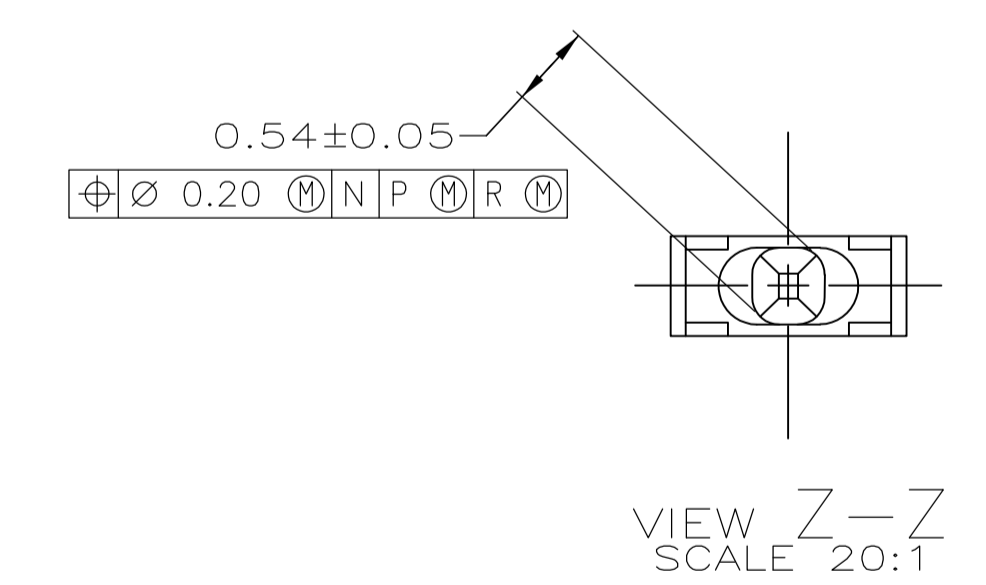


RECOMMENDED CIRCUIT PATTERN
 PER IPC-D300 TYPE II, CLASS C
 (COMPONENT SIDE)

- △ HOUSING MATERIAL: LIQUID CRYSTAL POLYMER.
COLOR: NATURAL.
- △ CONTACT MATERIAL: PHOSPHOR BRONZE.
- △ CONTACT FINISH:(B)
UNDERPLATE (ENTIRE CONTACT):
0.00127 MIN NICKEL PER SAE-AMS-QQ-N-290
ON MATING SURFACES:
CONFORMS TO ALL TESTING SPECIFIED FOR TELCORDIA
UNCONTROLLED ENVIRONMENT.
ON LEADS:
0.0006 MIN MATTE TIN PER ASTM B 545 OVER UNDERPLATE.
LUBRICATION (MIN MATING SURFACES):
SURFACE CONDITIONER AFTER PLATING.
- △ PART MARKING, LOCATED APPROXIMATELY AS SHOWN.
- 5. SEE SHEET 2 FOR SEQUENCING CHARTS.
- △ DIMENSION APPLIES WHEN SEATED ON PRINTED CIRCUIT BOARD.



THIS DRAWING IS A CONTROLLED DOCUMENT.		DIN B MCMMASTER 150EC04	Tyco Electronics Corporation Shanghai, P.R.China, 200233
DIMENSIONS: mm		CIK R WERTZ 150EC04	
TOLERANCES UNLESS OTHERWISE SPECIFIED:		APVD R WERTZ 150EC04	NAME
0 PLC ± -		PRODUCT SPEC	PIN ASSY,SIGNAL MODULE,Z-PACK 2mm FB, 4 ROW,96 POSN,PRESS FIT LEADS WITH SEQUENCING
1 PLC ± -		APPLICATION SPEC	SIZE CAGE CODE DRAWING NO
2 PLC ± 0.13			A1 00779 C=5223613
3 PLC ± -		RESTRICTED TO	
4 PLC ± -		WEIGHT	
ANGLES ± -		CUSTOMER DRAWING	SCALE 4:1 SHEET 1 OF 2 REV B

