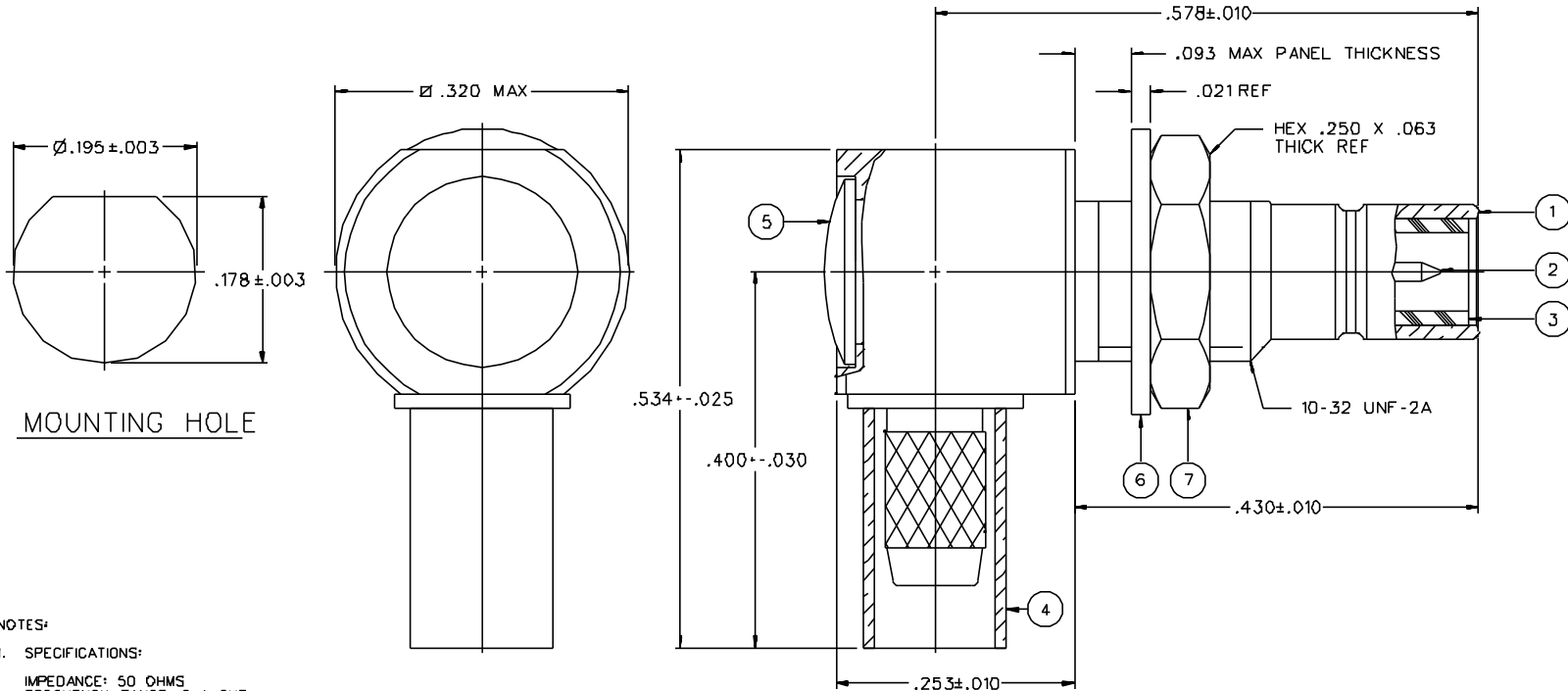


PART NUMBER	ITEM ① BODY - FRONT	ITEM ② CONTACT	ITEM ③ INSULATOR	ITEM ④ CRIMP SLEEVE	ITEM ⑤ END CAP	ITEM ⑥ WASHER	ITEM ⑦ NUT
131-3303-501	BRASS GOLD PL .00001 MIN OVER NICKEL PL .00005 MIN OVER COPPER PL .00005 MIN	BRASS GOLD PL .00003 MIN OVER NICKEL PL .00005 MIN OVER COPPER PL .00005 MIN	TEFLON	COPPER GOLD PL .00001 MIN OVER NICKEL PL .00005 MIN OVER COPPER PL .00005 MIN	BRASS GOLD PL .00001 MIN OVER NICKEL PL .00005 MIN OVER COPPER PL .00005 MIN	PHOSPHOR BRONZE GOLD PL .00001 MIN OVER NICKEL PL .00005 MIN OVER COPPER PL .00005 MIN	BRASS GOLD PL .00001 MIN OVER NICKEL PL .00005 MIN OVER COPPER PL .00005 MIN
131-3303-506	BRASS NICKEL PL .0001 MIN OVER COPPER PL .00005 MIN	BRASS GOLD PL .00003 MIN OVER NICKEL PL .00005 MIN OVER COPPER PL .00005 MIN	TEFLON	COPPER NICKEL PL .0001 MIN OVER COPPER PL .00005 MIN	BRASS NICKEL PL .0001 MIN OVER COPPER PL .00005 MIN	PHOSPHOR BRONZE NICKEL PL .0001 MIN OVER COPPER PL .00005 MIN	BRASS NICKEL PL .0001 MIN OVER COPPER PL .00005 MIN

DRAWING NO. C - 131-3303-501/510	
0 REVISIONS	
ENGINEERING RELEASE	
01 09-21-88	EJ/LCS/RJB 9-26-88 ECO 23547
ADDED: (50 OHM CABLE ONLY) TO SPECS "GOLD PLATED INITIAL..." AND "NICKEL PLATED INITIAL..." TO "BRAID TO BODY CHANGED: RF LEAK 2.5 GHZ WAS 2 TO 3 GHZ, RF HIGH POT 4 AND 7 MHZ WAS 5 MHZ DELETED: RG 188A/U, RG 179A/U, RG 179B/U AND RG 187A/U FROM CABLE ACCEPTABILITY	
2 3-31-93	R/R/A/K 4-14-93 H/R/B/B ECO 41747
ADDED: MOUNTING HOLE DETAIL	
3 5-16-94	R/R/A/K 5-19-94 H/R/B/B ECO 42507
CHANGED: UPDATED GRAPHICS	
3a 12-29-94	R/R/A/P 1-3-95 H/K/B/B ECN 42993
VERSION UPDATE	
* REVISION NUMBER FOLLOWED BY AN ALPHA *	
* CHARACTER INDICATES DRAWING CLARIFICATION *	
* CANNOT BE PART NUMBER ADDITION ONLY *	
3b 1-12-98	R/R/B 1-12-98 H/B/B ECO 46077



NOTES:

1. SPECIFICATIONS:

IMPEDANCE: 50 OHMS
 FREQUENCY RANGE: 0-4 GHZ
 VSWR: 1.35 ± .04 F (F IN GHZ) (50 OHM CABLE ONLY)
 WORKING VOLTAGE: 335 VRMS MAX AT SEA LEVEL
 DIELECTRIC WITHSTANDING VOLTAGE: 1000 VRMS MIN AT SEA LEVEL
 INSULATION RESISTANCE: 1000 MEGOHM MIN
 CONTACT RESISTANCE:
 CENTER CONTACT - INITIAL 12 MILLIOHM MAX, AFTER ENVIRONMENTAL 16 MILLIOHM MAX
 OUTER CONDUCTOR - GOLD PLATED INITIAL 1 MILLIOHM MAX, AFTER ENVIRONMENTAL 1.5 MILLIOHM MAX, NICKEL PLATED INITIAL 2.5 MILLIOHM MAX, AFTER ENVIRONMENTAL 3.5 MILLIOHM MAX
 BRAID TO BODY - GOLD PLATED INITIAL 1 MILLIOHM MAX, AFTER ENVIRONMENTAL NOT APPLICABLE, NICKEL PLATED INITIAL 2.5 MILLIOHM MAX, AFTER ENVIRONMENTAL NOT APPLICABLE

CORONA LEVEL: 250 VOLTS MIN AT 70,000 FEET
 INSERTION LOSS: .60 DB MAX AT 1.5 GHZ (50 OHM CABLE ONLY)
 RF LEAKAGE: -.55 DB MIN AT 2.5 GHZ (50 OHM CABLE ONLY)
 RF HIGH POTENTIAL WITHSTANDING VOLTAGE: 700 VRMS AT 4 AND 7 MHZ

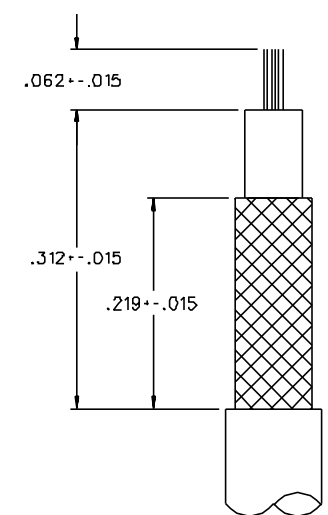
MECHANICAL:

ENGAGE/DISENGAGE FORCE: INITIAL 14 LBS MAX, AFTER DURABILITY 14 LBS MAX
 ENGAGEMENT/2 LBS MIN DISENGAGEMENT
 MATING TORQUE: NOT APPLICABLE
 COUPLING PROOF TORQUE: NOT APPLICABLE
 COUPLING NUT RETENTION: NOT APPLICABLE
 CONTACT RETENTION: 4 LBS MIN AXIAL FORCE
 CABLE ACCEPTABILITY: RG 188A/U, RG 316A/U, RG 174A/U, RG 161A/U, RG 179A/U, RG 187A/U

CABLE HEX CRIMP SIZE: .125
 CABLE RETENTION: 20 LBS MIN OR CABLE BREAKING STRENGTH
 DURABILITY: 500 CYCLES MIN

ENVIRONMENTAL:

(MEETS OR EXCEEDS THE APPLICABLE PARAGRAPH OF MIL-C-39012)
 THERMAL SHOCK: MIL-STD-202, METHOD 107, CONDITION B
 OPERATING TEMPERATURE: -65 DEG C TO 165 DEG C
 CORROSION: MIL-STD-202, METHOD 101, CONDITION B
 SHOCK: MIL-STD-202, METHOD 213, CONDITION B
 VIBRATION: MIL-STD-202, METHOD 204, CONDITION B



CABLE STRIP DIMENSIONS

CUSTOMER DRAWING

THIS DRAWING TO BE INTERPRETED PER ANS I 14.5M - 1982

"μSTATION"

COMPANY CONFIDENTIAL

TOLERANCE UNLESS OTHERWISE SPECIFIED	DRAWN BY EJ	DATE 7-27-88	JOHNSON Cinch Connectivity Solutions 299 Johnson Ave. Ste. 100 Waseca, MN 56093 1-800-247-8256	
DECIMALS	CHECKED BY	DATE	TITLE JACK ASSEMBLY RA CABLED BULKHEAD SMB, RG 316	
.XX	LCS	9-21-88	CODE NO.	DRAWING NO. C - 131-3303-501/510
.XXX	APPROVED BY	DATE	SCALE 10:1	U/W INCH SHEET 2 OF 2
MATL	RJB	9-21-88		
FINISH	RELEASE DATE	9-26-88		