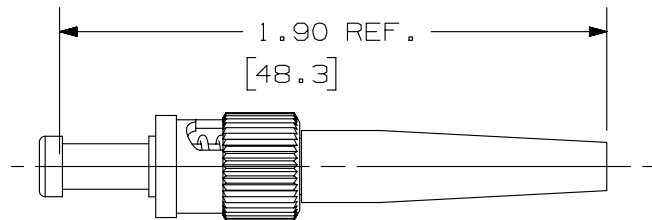
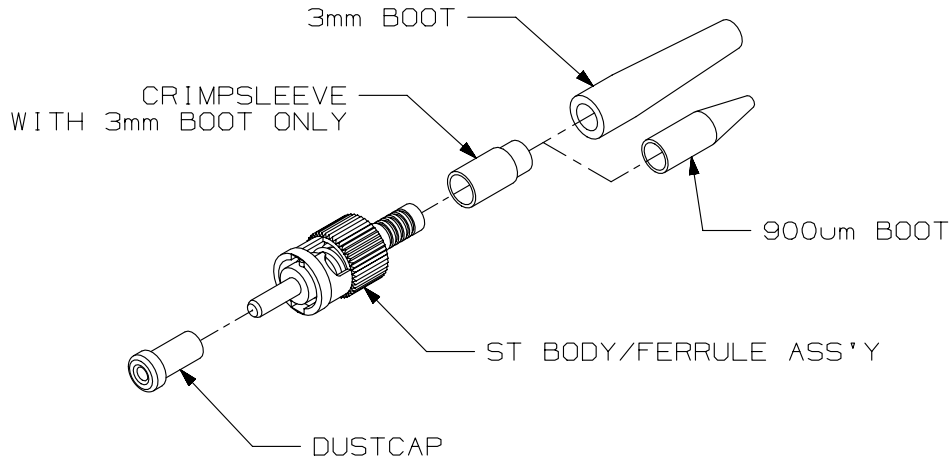
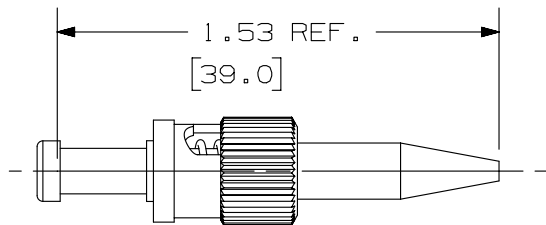


THIS COPY IS PROVIDED ON A RESTRICTED BASIS AND IS NOT TO BE USED IN ANY WAY DETRIMENTAL TO THE INTERESTS OF PANDUIT CORP.



ST CONNECTOR WITH 3mm BOOT
(DUSTCAP REMOVED)



ST CONNECTOR WITH 900um BOOT
(DUSTCAP REMOVED)

PANDUIT P/N	WEIGHT
FSTSA**	1.00 lb/100 PCS [454.54g/100 PCS]

NOTES:

- SEE CURRENT CATALOG FOR ADDITIONAL PART NUMBER SUFFIXES TO INDICATE COLOR AND/OR PACKAGE QUANTITY.
- ACCEPTS 9/125um SINGLEMODE GLASS OPTICAL FIBER CABLE.
- MATERIALS:
CONNECTOR BODY/HARDWARE: NICKEL-PLATED ZINC
BOOT: THERMOPLASTIC RUBBER
FERRULE: ZIRCONIA (CERAMIC)
- COMPLIES WITH THE FIBER OPTIC PERFORMANCE REQUIREMENTS AS SPECIFIED BY TIA/EIA-568-B.3
- COMPATIBLE WITH TIA-EIA-604-2 (FOCIS-2)
- FERRULE DIAMETER: 2.4985/2.4995mm.
- DIMENSIONS IN BRACKETS ARE METRIC [mm].

PART NUMBER		FSTSA**	
TITLE			
ST SIMPLEX SINGLEMODE CONNECTOR		CUSTOMER DRAWING	
ITEM REVISION NAME		M01197BE/00	
DATASET FILE NAME		M01197BE_DC/01B	
UNLESS OTHERWISE SPECIFIED, DIMENSIONAL TOLERANCES ARE: IN [mm]		MATERIAL:	
.x ± .xx ± .03 [.8]		.xxx ± .010 [.3]	
ANGLES ±		DRAWING NUMBER:	
THIRD ANGLE PROJECTION		01197-07	
DRAWN BY	DATE	CHK	SCALE
EFK	12-03-01	MMW	NONE
SHT 1 OF 1		A	

REV	DATE	BY	CHK	APR	DESCRIPTION	ECN
3	2/13/15	JSP	WJM	RWB	A. UPDATED DRAWING TITLE BLOCK.	01197-07

D10100DA/14