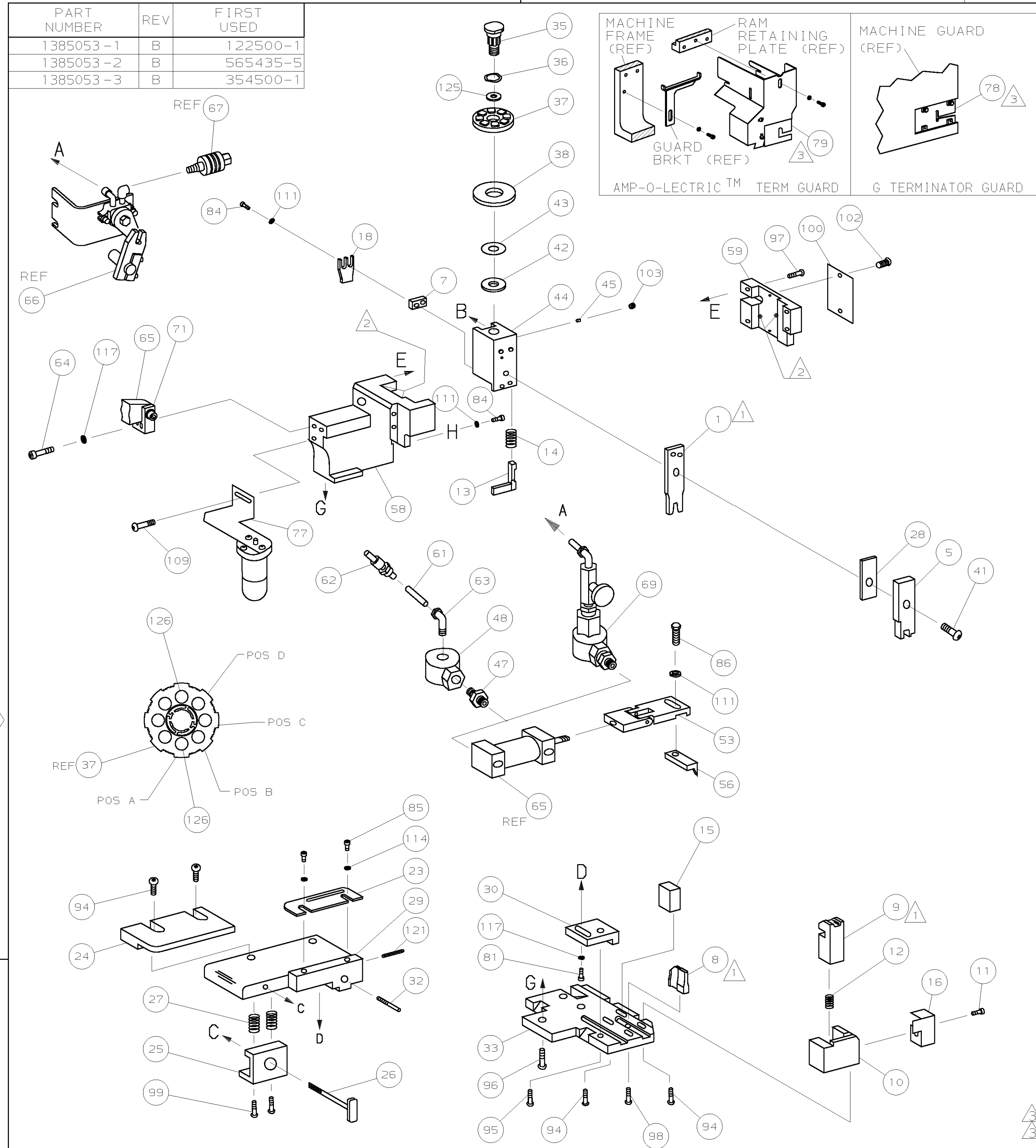
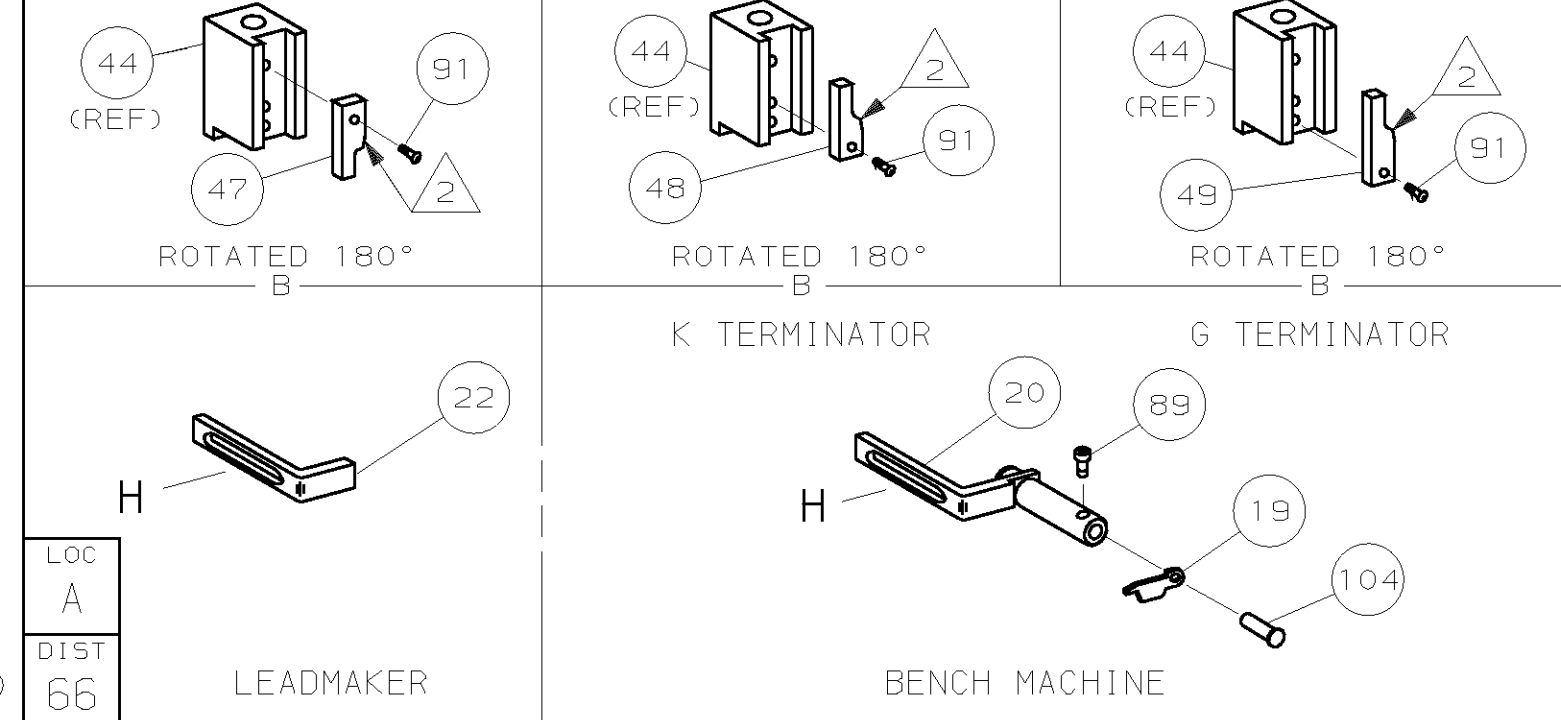


| PART NUMBER | REV | FIRST USED |
|-------------|-----|------------|
| 1385053-1 | B | 122500-1 |
| 1385053-2 | B | 565435-5 |
| 1385053-3 | B | 354500-1 |



POST FEED 1 5/8 STROKE PRE FEED 1 1/8 STROKE PRE FEED 1 5/8 STROKE



LOC A DIST 66 AMP 1756 REV 3-92 28-MAR-02 09:21:13 amp14442 7 8

- △1 RECOMMENDED SPARE PARTS.
- △2 GREASE LIGHTLY.
- △3 GUARD MUST BE IN PLACE WHEN OPERATING APPLICATOR IN A BENCH MACHINE.
- △4 SEE DRAWING FOR COMPONENTS
- △5 BEND TERMINAL TO 70°±5°

TERMINAL NAME: 22AWG SENSOR TAB

| PAD LTR | CRIMP HEIGHT | WIRE SIZE |
|---------|---------------------------|-----------|
| A | .040 ±.002 [1.02 ±0.05mm] | 22 |
| B | NOT | USED |
| C | NOT | USED |
| D | NOT | USED |

| CRIMP | SIZE | TYPE | RANGE |
|-------|---------------|------|-------|
| WIRE | .055 [1.40mm] | F | 22 |
| INSUL | - | - | - |

WIRE STRIP LENGTH .115-.131 TERM APPL SPEC NONE FEED .218 APPL INSTRUCTION 408-8040 SET UP GAGE 458637-1 LAYOUT L2388

| QTY REOD PER ASSY | U/M | DWG SIZE | PART NO | DESCRIPTION | ITEM NO |
|-------------------|-----|----------|------------|------------------------------------|---------|
| 129 | | | | | 129 |
| 128 | | | | | 128 |
| 127 | | | | | 127 |
| 2 2 2 | - | C | 2-354779-2 | PIN, WIRE DISC (.3100)A | 126 |
| 1 1 1 | - | A | 986950-1 | WASHER, FLAT PRECISION | 125 |
| 1 1 1 | - | A | 217238-1 | GENERAL INSTRUCTION PACKAGE | 124 |
| 1 1 1 | - | - | 4088040 | SF APPL INST 408-8040 | 123 |
| | | | | | 122 |
| 1 1 1 | - | A | 4-21028-0 | PIN, SLT SPR(φ.093x.75)ST 60E PL | 121 |
| | | | | | 120 |
| | | | | | 119 |
| 1 1 1 | - | A | 21024-5 | WASHER, LOCK (#10)ADJ BLOCK | 118 |
| | | | | | 117 |
| | | | | | 116 |
| 2 2 2 | - | A | 21024-2 | WASHER, LOCK (#4)FRONT STP GUIDE | 115 |
| | | | | | 114 |
| | | | | | 113 |
| 2 2 2 | - | A | 21024-4 | WASHER, LOCK (#8) STRIPPER | 111 |
| | | | | | 110 |
| - 1 - | - | A | 2-21002-6 | SCR, BHC (10-32x.38) LUBE ASSY | 109 |
| | | | | | 108 |
| | | | | | 107 |
| | | | | | 106 |
| 1 1 - | - | A | 992031-1 | PIN, CLEVIS | 104 |
| 1 1 1 | - | A | 21009-2 | SCR, SKT 5ET (1/4-20x.25 LW) RAM | 103 |
| 2 2 2 | - | A | 21017-2 | SCR, DRIVE (#2x.19) ID PLATE | 102 |
| | | | | | 101 |
| 1 1 1 | - | B | 461264-1 | PLATE, IDENTIFICATION | 100 |
| 2 2 2 | - | A | 3-21002-0 | SCR, BHC (10-32x.88) DRAG | 99 |
| 1 1 1 | - | A | 22733-8 | SCR, BHC (8-32x.38 LW) ANVIL | 98 |
| 4 4 4 | - | A | 2-21002-9 | SCR, BHC (10-32x.75) CAP | 97 |
| 3 3 3 | - | A | 2-22733-8 | SCR, BHC (1/4-20x.62) H56 | 96 |
| 1 1 1 | - | A | 2-21002-7 | SCR, BHC (10-32x.50) 56 ADJ BLK | 95 |
| 4 4 4 | - | A | 2-21002-2 | SCR, BHC (8-32x.50) TERM H DWN | 94 |
| | | | | | 93 |
| | | | | | 92 |
| 1 1 1 | - | A | 1-21002-7 | SCR, BHC (6-32x.38) CAM | 91 |
| | | | | | 90 |
| 1 1 - | - | A | 7-21000-9 | SCR, SHC (4-40x.19) STRIPPER | 89 |
| | | | | | 88 |
| | | | | | 87 |
| 1 1 1 | - | A | 2-22603-0 | SCR, HEX HD (8-32x.31) FEED FINGER | 86 |
| 2 2 2 | - | A | 1-21000-3 | SCR, SHC (4-40x.25) F ST GUIDE | 85 |
| 1 1 1 | - | A | 2-21000-7 | SCR, SHC (8-32x.50) STRIPPER | 84 |
| | | | | | 83 |
| | | | | | 82 |
| 1 1 1 | - | A | 3-21000-4 | SCR, SHC (10-32x.38) 56 ADJ BL | 81 |
| | | | | | 80 |
| - REF - | - | B | 455749-1 | GUARD, WINDOW | 79 |
| REF - | - | B | 679532-1 | INSERT, GUARD | 78 |
| - 1 - | - | C | 1-465184-0 | LUBRICATOR ASSY | 77 |
| | | | | | 76 |
| | | | | | 75 |
| | | | | | 74 |
| | | | | | 73 |
| | | | | | 72 |
| 1 1 1 | - | B | 459610-3 | MOUNT, FEED BRACKET | 71 |
| -3 -2 -1 | U/M | DWG SIZE | PART NO | DESCRIPTION | ITEM NO |

| QTY REOD PER ASSY | U/M | DWG SIZE | PART NO | DESCRIPTION | ITEM NO |
|-------------------|-----|----------|------------|-------------------------------|---------|
| | | | | | 70 |
| - 1 - | - | C | 692655-5 | AIR FEED VALVE ASSY | 69 |
| | | | | | 68 |
| - REF - | - | A | 24042-2 | VALVE, SHUT OFF | 67 |
| - REF - | - | C | 692655-6 | AIR FEED VALVE ASSY | 66 |
| 1 1 1 | - | B | 461065-1 | AIR FEED ASSY (1 INCH) | 65 |
| 2 2 2 | - | A | 3-21000-7 | SCR, SHC (10-32x.75) AIR ASSY | 64 |
| 1 - 1 - | - | A | 980285-2 | ELBOW, SWIVEL 1/8 NPT - 1/4 T | 63 |
| 1 - 1 - | - | A | 23238-1 | QUICK DISCONNECT | 62 |
| 21.00 - 21.00 | IN | A | 27319-4 | TUBING, POLY-FLO Ø.25 | 61 |
| | | | | | 60 |
| REF REF REF | - | C | 454220-1 | CAP, RAM | 59 |
| 1 1 1 | - | D | 454485-1 | HOUSING | 58 |
| | | | | | 57 |
| | | | | | 55 |
| | | | | | 54 |
| 1 1 1 | - | B | 3-694433-2 | PAWL, FEED | 56 |
| | | | | | 55 |
| | | | | | 54 |
| 1 1 1 | - | B | 461062-1 | FEED FINGER ASSY | 53 |
| | | | | | 52 |
| | | | | | 51 |
| | | | | | 50 |
| | | | | | 49 |
| 1 - 1 - | - | A | 22374-7 | VALVE, QUICK EXHAUST | 48 |
| 1 - 1 - | - | A | 22304-1 | NIPPLE, HEX 1/8 NPT | 47 |
| | | | | | 46 |
| 1 1 1 | - | A | 690191-1 | PLUG, NYLON | 45 |
| 1 1 1 | - | C | 1338281-3 | RAM | 44 |
| 1 1 1 | - | A | 690125-1 | WASHER, LAMINATED | 43 |
| 1 1 1 | - | A | 690124-9 | WASHER, RAM | 42 |
| 1 1 1 | - | A | 7-21002-9 | BOLT, CRIMPER (5/16x1.00) | 41 |
| | | | | | 40 |
| | | | | | 39 |
| 1 1 1 | - | A | 690223-2 | SPACER, INSULATION DISC | 38 |
| 1 1 1 | - | D | 354777-1 | WIRE DISC, PLASTIC | 37 |
| 1 1 1 | - | A | 22480-5 | WASHER, SPRING | 36 |
| 1 1 1 | - | B | 690212-1 | POST, RAM | 35 |
| | | | | | 34 |
| 1 1 1 | - | D | 455675-1 | PLATE, BASE | 33 |
| 1 1 1 | - | A | 690432-3 | SCREW, ADJUSTMENT | 32 |
| | | | | | 31 |
| 1 1 1 | - | B | 455689-1 | BLOCK, STRIP GUIDE ADJ | 30 |
| 1 1 1 | - | C | 455671-1 | PLATE, STRIP GUIDE | 29 |
| 1 1 1 | - | C | 1-455888-5 | SPACER, FRONT SHEAR DEP | 28 |
| 2 2 2 | - | A | 1-22284-0 | SPRING, DRAG | 27 |
| 1 1 1 | - | B | 690546-1 | LEVER, DRAG RELEASE | 26 |
| 1 1 1 | - | B | 240792-1 | DRAG, TERMINAL | 25 |
| 1 1 1 | - | D | 6-690504-4 | GUIDE, STRIP (REAR) | 24 |
| 1 1 1 | - | A | 690438-1 | GUIDE, STRIP (FRONT) | 23 |
| - - 1 - | - | B | 690472-2 | STRIPPER | 22 |
| | | | | | 21 |
| 1 1 - | - | A | 679218-1 | STRIPPER WIRE STOP ASSY | 20 |
| 1 1 - | - | B | 458949-8 | STRIPPER | 19 |
| 1 1 1 | - | B | 1-690639-2 | BENDING TOOL | 18 |
| | | | | | 17 |
| 1 1 1 | - | B | 318563-1 | GUARD, CHIP, FRONT | 16 |
| 1 1 1 | - | B | 1424300-1 | SUPPORT, TERMINAL | 15 |
| 1 1 1 | - | A | 23846-2 | SPRING, SHEAR | 14 |
| 1 1 1 | - | C | 6-455892-8 | HOLDDOWN, TERMINAL | 13 |
| 1 1 1 | - | A | 4-22280-7 | SPRING, SHEAR | 12 |
| 1 1 1 | - | B | 690461-1 | STOP, SHEAR | 11 |
| 1 1 1 | - | C | 690459-1 | HOLDER, SHEAR (FRONT) | 10 |
| 1 1 1 | - | C | 1424304-1 | SHEAR, FLOAT (FRONT) | 9 |
| 1 1 1 | - | C | 679547-2 | ANVIL | 8 |
| 1 1 1 | - | C | 2-240641-8 | SPACER, DEPRESSOR (REAR) | 7 |
| | | | | | 6 |
| 1 1 1 | - | C | 2-455889-7 | DEPRESSOR, SHEAR (FRONT) | 5 |
| | | | | | 4 |
| | | | | | 3 |
| | | | | | 2 |
| 1 1 1 | - | C | 1-456402-0 | CRIMPER, WIRE | 1 |
| -3 -2 -1 | U/M | DWG SIZE | PART NO | DESCRIPTION | ITEM NO |

DIMENSIONS IN INCHES. DO NOT SCALE PRINT. TOLERANCES UNLESS OTHERWISE SPECIFIED:

| | | | |
|-----------|----------|-----|---------|
| DR | B.HIGMAN | APP | T.ELBIN |
| CHK | B.HIGMAN | REL | - |
| 3 PLC DEC | ± | | |
| 4 PLC DEC | ± | | |

NAME: SIDE FEED HDM APPLICATOR MACHINE REF: MINI APPL

SCALE: 1" = 1" DWG NO: 1385053 SHEET: 1 OF 1 REV: B

CUSTOMER AND ASSEMBLY DRAWING

THIS DRAWING IS A CONTROLLED DOCUMENT.

1385053