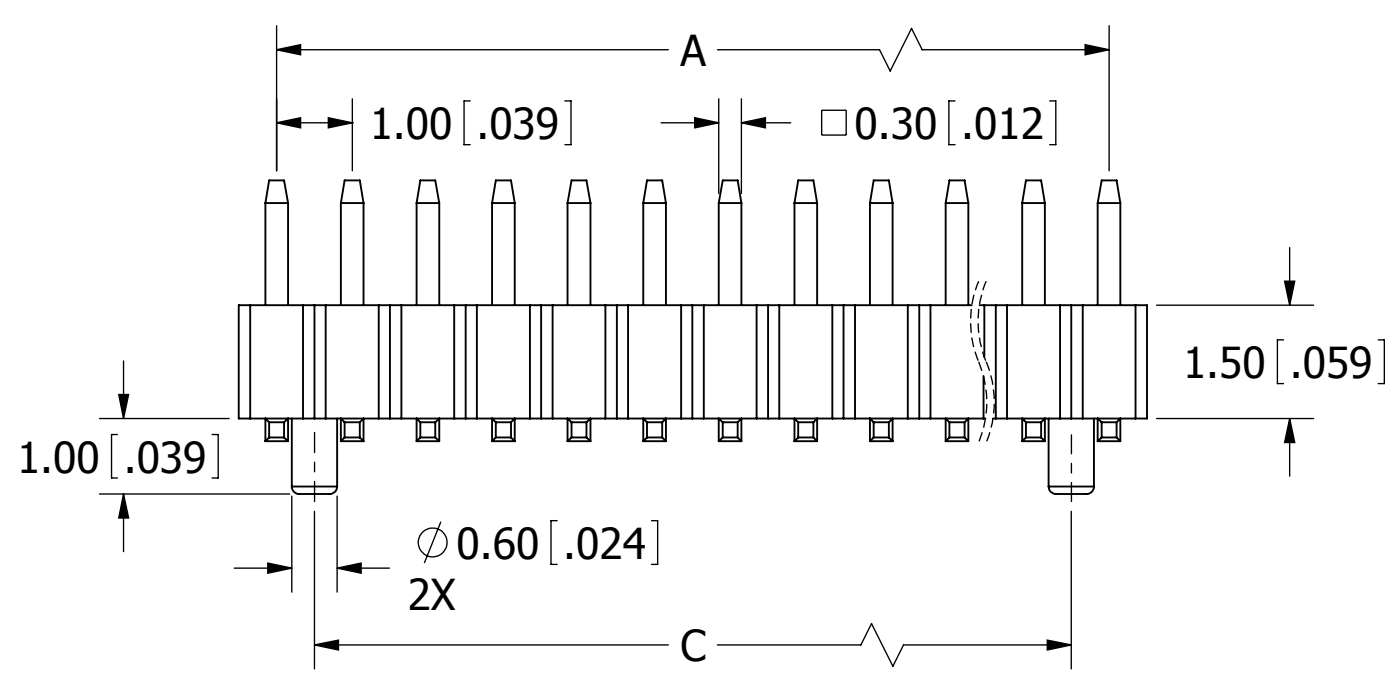
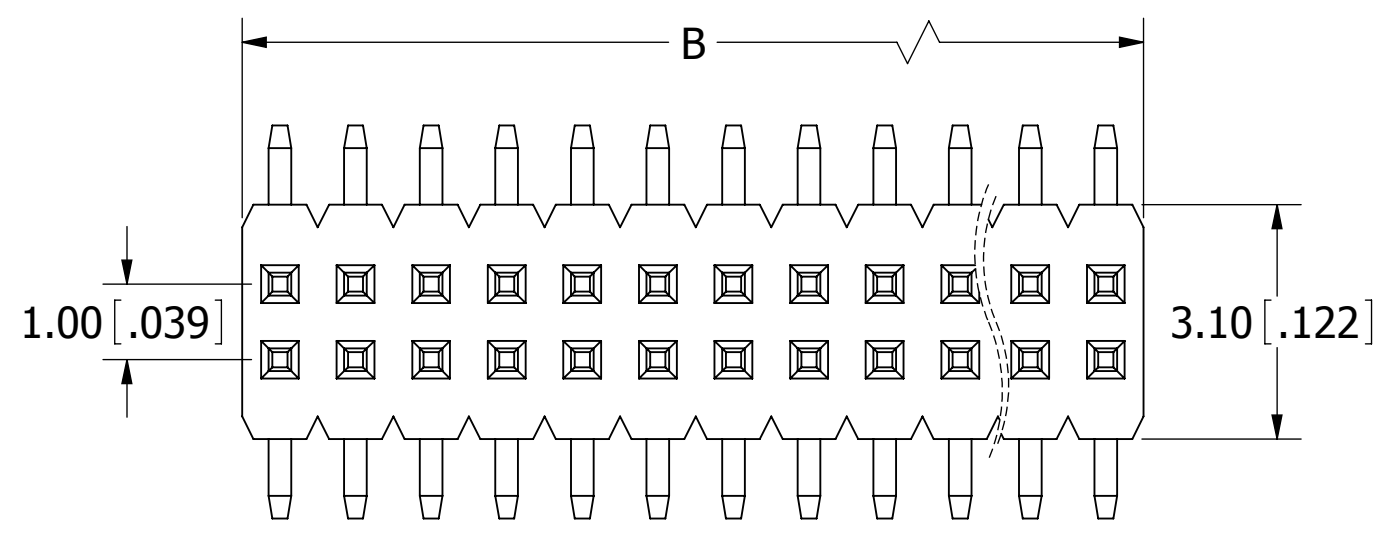
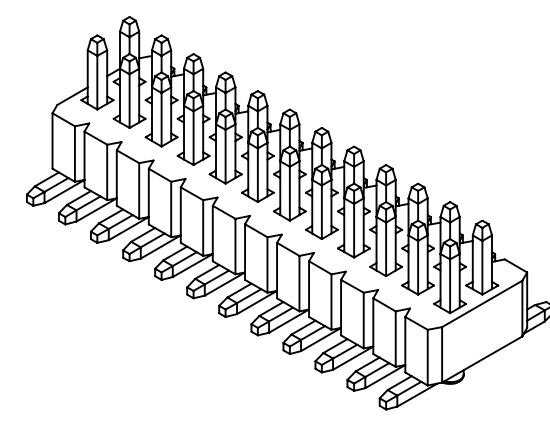


POSITIONS/ CONTACTS	A		B		C	
	MM±0.20	[INCH±0.008]	MM±0.30	[INCH±0.012]	MM±0.20	[INCH±0.008]
02/04**	1.00	0.039	2.00	0.079	N/A	N/A
03/06	2.00	0.079	3.00	0.118	1.00	0.039
04/08	3.00	0.118	4.00	0.157	2.00	0.079
05/10	4.00	0.157	5.00	0.197	3.00	0.118
06/12	5.00	0.197	6.00	0.236	4.00	0.157
07/14	6.00	0.236	7.00	0.276	5.00	0.197
08/16	7.00	0.276	8.00	0.315	6.00	0.236
09/18	8.00	0.315	9.00	0.354	7.00	0.276
10/20	9.00	0.354	10.00	0.394	8.00	0.315
11/22	10.00	0.394	11.00	0.433	9.00	0.354
12/24	11.00	0.433	12.00	0.472	10.00	0.394
13/26	12.00	0.472	13.00	0.512	11.00	0.433
14/28	13.00	0.512	14.00	0.551	12.00	0.472
15/30	14.00	0.551	15.00	0.591	13.00	0.512
16/32	15.00	0.591	16.00	0.630	14.00	0.551
17/34	16.00	0.630	17.00	0.669	15.00	0.591
18/36	17.00	0.669	18.00	0.709	16.00	0.630
19/38	18.00	0.709	19.00	0.748	17.00	0.669
20/40	19.00	0.748	20.00	0.787	18.00	0.709
21/42	20.00	0.787	21.00	0.827	19.00	0.748
22/44	21.00	0.827	22.00	0.866	20.00	0.787
23/46	22.00	0.866	23.00	0.906	21.00	0.827
24/48	23.00	0.906	24.00	0.945	22.00	0.866
25/50	24.00	0.945	25.00	0.984	23.00	0.906
26/52	25.00	0.984	26.00	1.024	24.00	0.945
27/54	26.00	1.024	27.00	1.063	25.00	0.984
28/56	27.00	1.063	28.00	1.102	26.00	1.024
29/58	28.00	1.102	29.00	1.142	27.00	1.063
30/60	29.00	1.142	30.00	1.181	28.00	1.102
31/62	30.00	1.181	31.00	1.220	29.00	1.142
32/64	31.00	1.220	32.00	1.260	30.00	1.181
33/66	32.00	1.260	33.00	1.299	31.00	1.220
34/68	33.00	1.299	34.00	1.339	32.00	1.260
35/70	34.00	1.339	35.00	1.378	33.00	1.299
36/72	35.00	1.378	36.00	1.417	34.00	1.339
37/74	36.00	1.417	37.00	1.457	35.00	1.378
38/76	37.00	1.457	38.00	1.496	36.00	1.417
39/78	38.00	1.496	39.00	1.535	37.00	1.457
40/80	39.00	1.535	40.00	1.575	38.00	1.496
41/82	40.00	1.575	41.00	1.614	39.00	1.535
42/84	41.00	1.614	42.00	1.654	40.00	1.575
43/86	42.00	1.654	43.00	1.693	41.00	1.614
44/88	43.00	1.693	44.00	1.732	42.00	1.654
45/90	44.00	1.732	45.00	1.772	43.00	1.693
46/92	45.00	1.772	46.00	1.811	44.00	1.732
47/94	46.00	1.811	47.00	1.850	45.00	1.772
48/96	47.00	1.850	48.00	1.890	46.00	1.811
49/98	48.00	1.890	49.00	1.929	47.00	1.850
50/100	49.00	1.929	50.00	1.969	48.00	1.890

**NOTE: POSITION 2 NOT AVAILABLE WITH GUIDE POSTS.

- NOTES:
1. INSULATOR MATERIAL: L.C.P, UL 94V-0, BLACK COLOR.
 2. CONTACT MATERIAL: PHOSPHOR BRONZE.
 3. CONTACT PLATING: SEE PART NUMBER CODING.
 4. CURRENT RATING: 1 AMP.
 5. INSULATOR RESISTANCE: 1000 MEGA OHMS MIN.
 6. CONTACT RESISTANCE: 20 MILLI OHMS MAX.
 7. DIELECTRIC WITHSTANDING: AC 300V.
 8. OPERATING TEMPERATURE: -40° C TO +125° C.
 9. PROCESSING TEMP.: 260° C FOR 10 SECS MAX.
(INDICATED TEMPERATURE AND TIME IS FOR COMPONENT INSULATOR. HIGHER PROCESSING TEMPERATURES MAY BE USED, PROVIDED HEAT IS APPLIED FROM BACK SIDE OF PCB, AND INSULATOR DOES NOT EXCEED INDICATED TEMPERATURE AND TIME.)

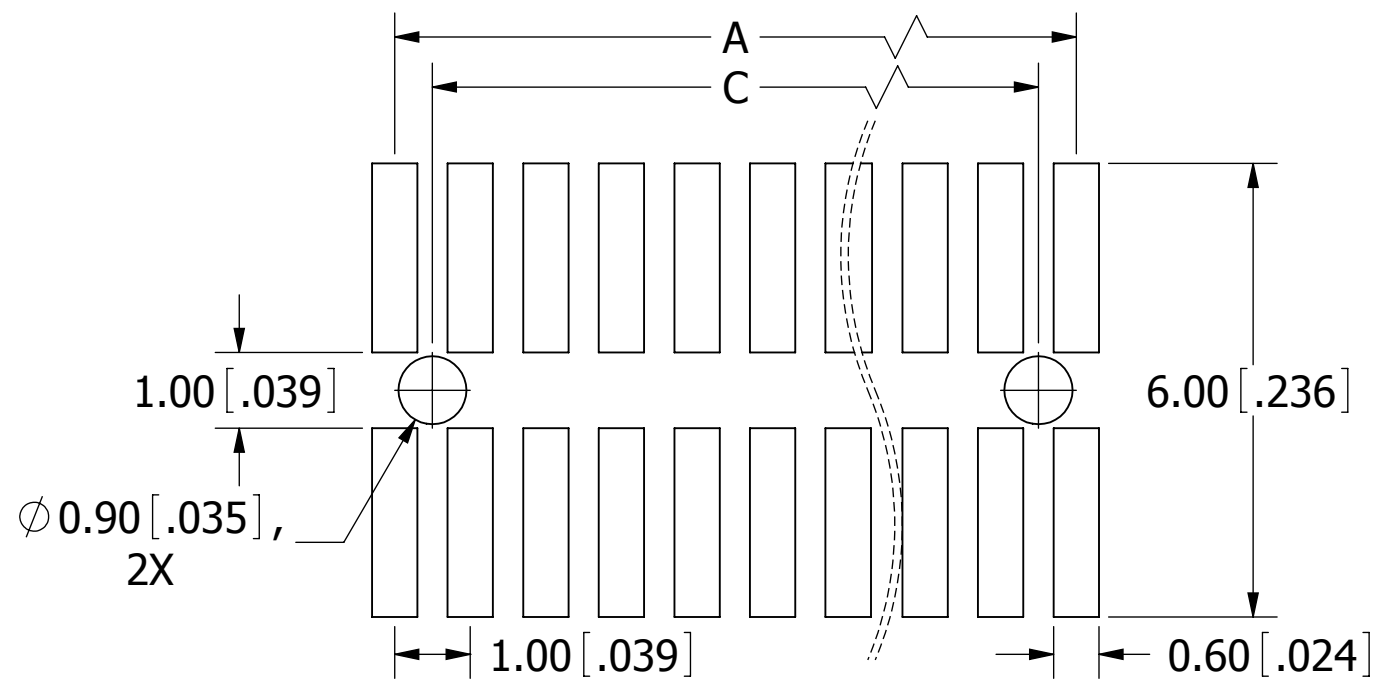
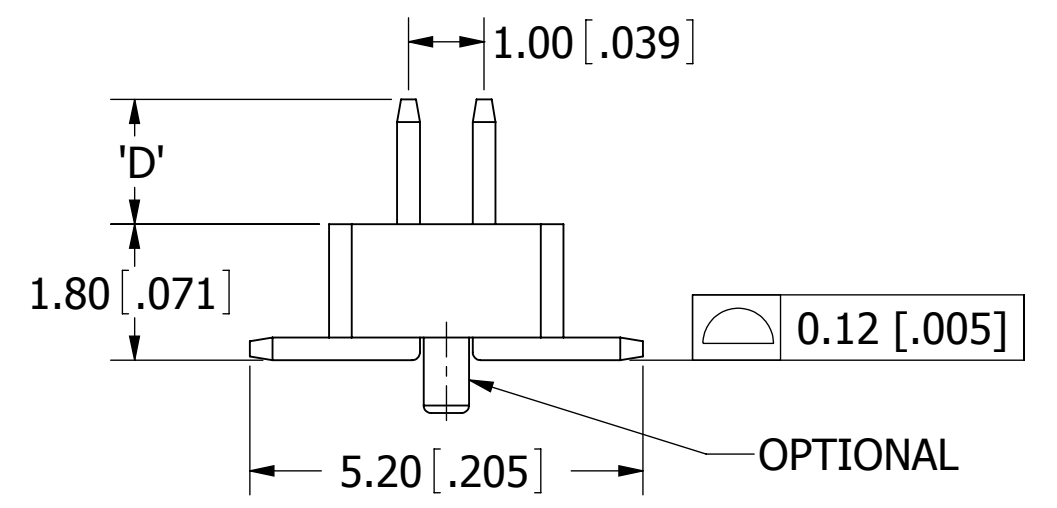


02-20, 0.20mm MAX.
21-50, 0.30mm MAX.

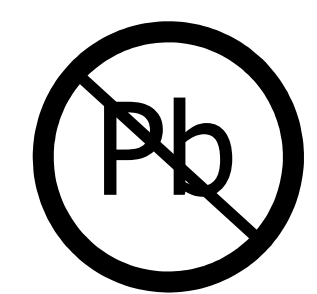
REVISIONS				
REV.	ECO. NO	DESCRIPTION	DATE	BY
A	1910	INITIAL RELEASE	2/5/2009	JH

PART NUMBER CODING
SMH15 -LP_E-D_-S_-BK

- MOUNTING STYLES**
M = SURFACE MOUNT W/O GUIDE POSTS.
P = SURFACE MOUNT W/ GUIDE POSTS.
- NUMBER OF POSITIONS**
(CONTACTS PER ROW, 2 THRU 50)
- PLATING**
P = GOLD FLASH OVERALL.
S = 10u" GOLD OVERALL.
- HEAD HEIGHT CODE**
1 - HEAD HEIGHT 'D' = 1.65 [.065]
2 - HEAD HEIGHT 'D' = 1.90 [.075]



RECOMMENDED PCB LAYOUT



RoHS COMPLIANT

UNLESS OTHERWISE SPECIFIED:
DIMENSIONS ARE IN MM(INCHES)
TOLERANCES:
ANGULAR: ± 5°
.X = ± .30 [.012]
.XX = ± .20 [.008]
.XXX = ± .10 [.004]
SURFACE FINISH: 63 Ra
REMOVE ALL BURRS AND SHARP EDGES .010 MAX

INTERPRET DIMENSIONS AND GEOMETRIC TOLERANCING PER: ANSI Y14.5M-1994

DATE	NAME	DRAWN	DATE	NAME	DESCRIPTION
2/5/09	JH				
THE INFORMATION HEREIN CONTAINS PROPRIETARY INFORMATION OF SULLINS ELECTRONICS AND IS NOT TO BE REPRODUCED, USED OR DISCLOSED TO OTHERS FOR ANY PURPOSE EXCEPT AS SPECIFICALLY AUTHORIZED IN WRITING BY AN OFFICER OF SULLINS ELECTRONICS.					
SULLINS CONNECTOR SOLUTIONS					
PART NUMBER SMH15 -LP_E-D_-S_-BK					
SIZE	DWG. NO.	REV			
C	11196	A			
SCALE: 10:1		SHEET 1 OF 1			