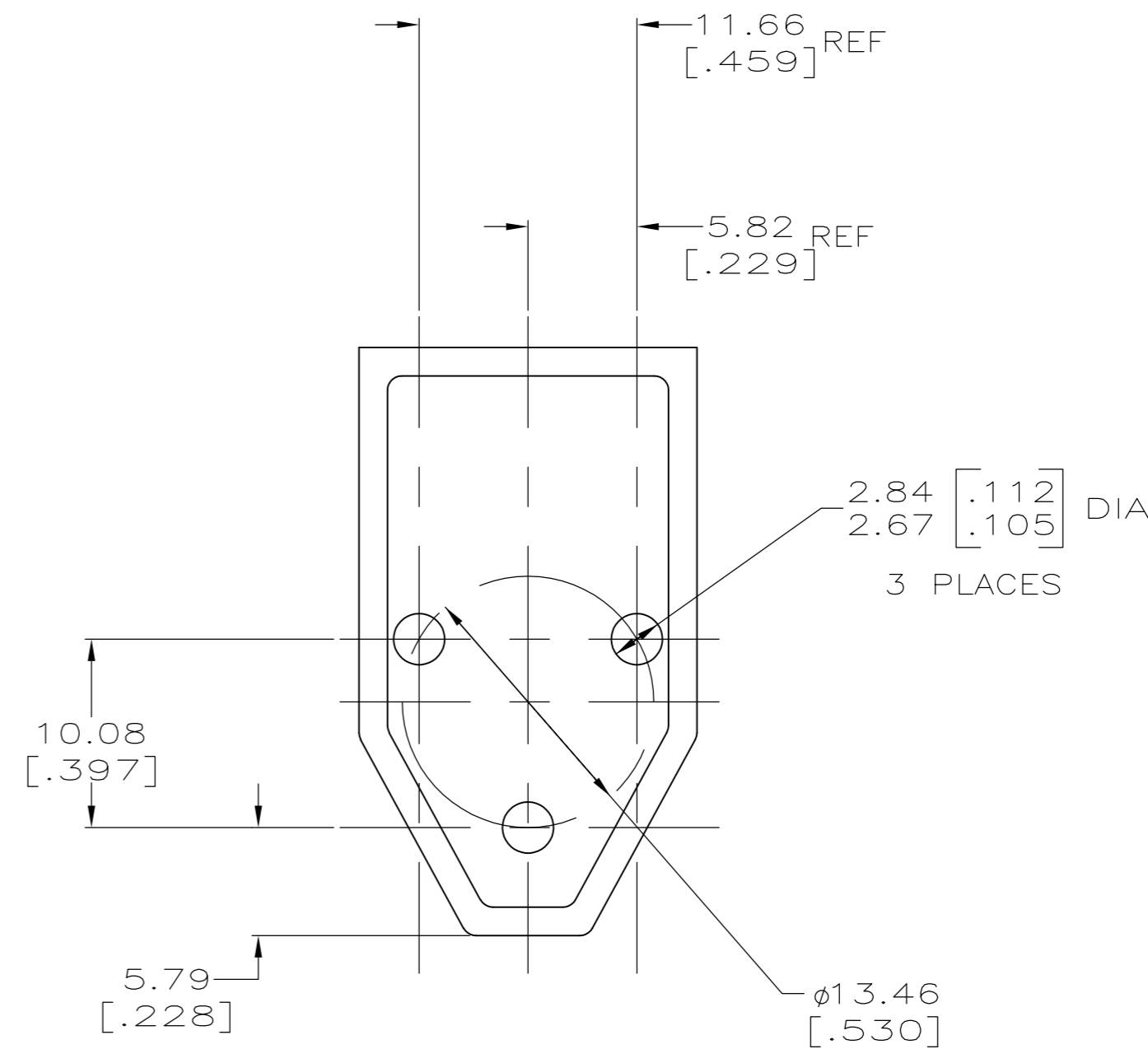
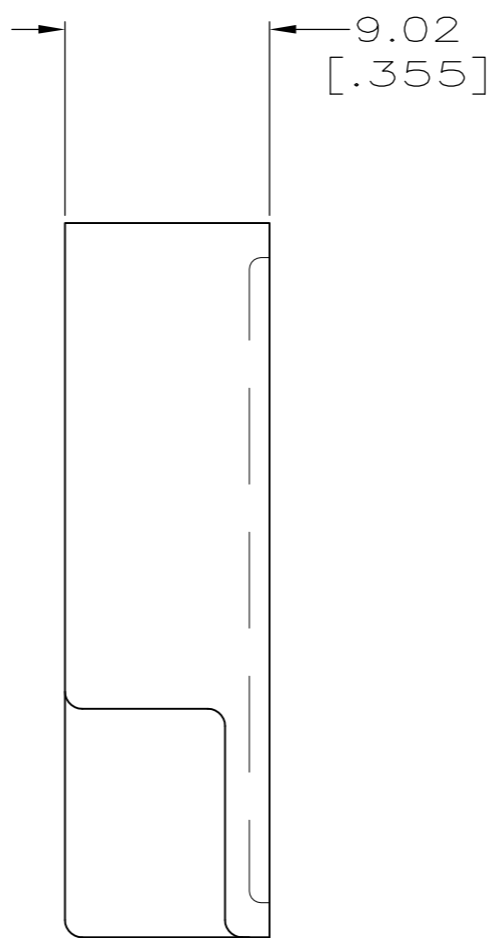
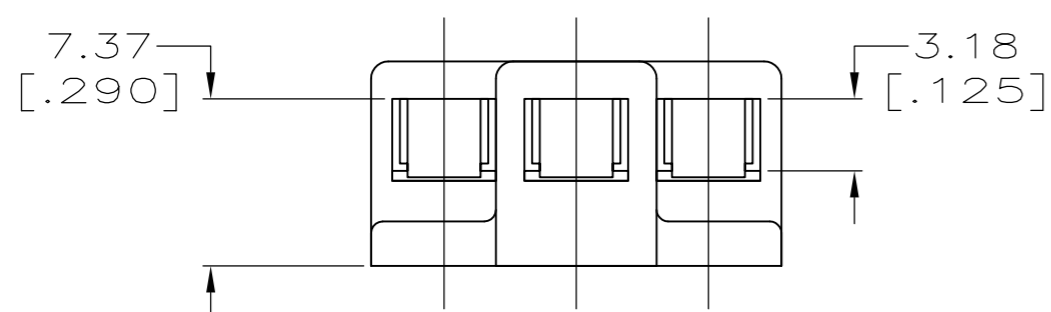
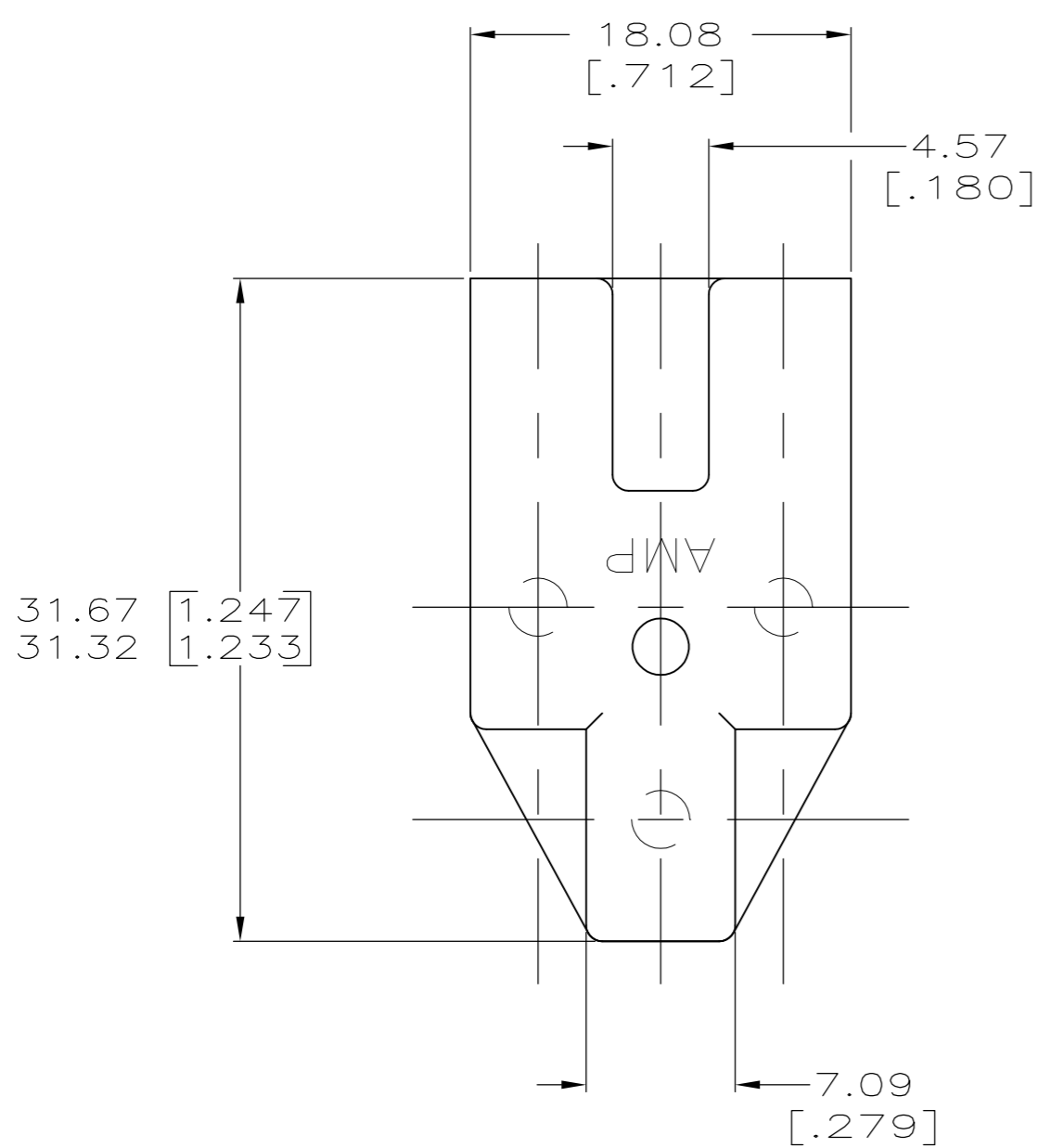
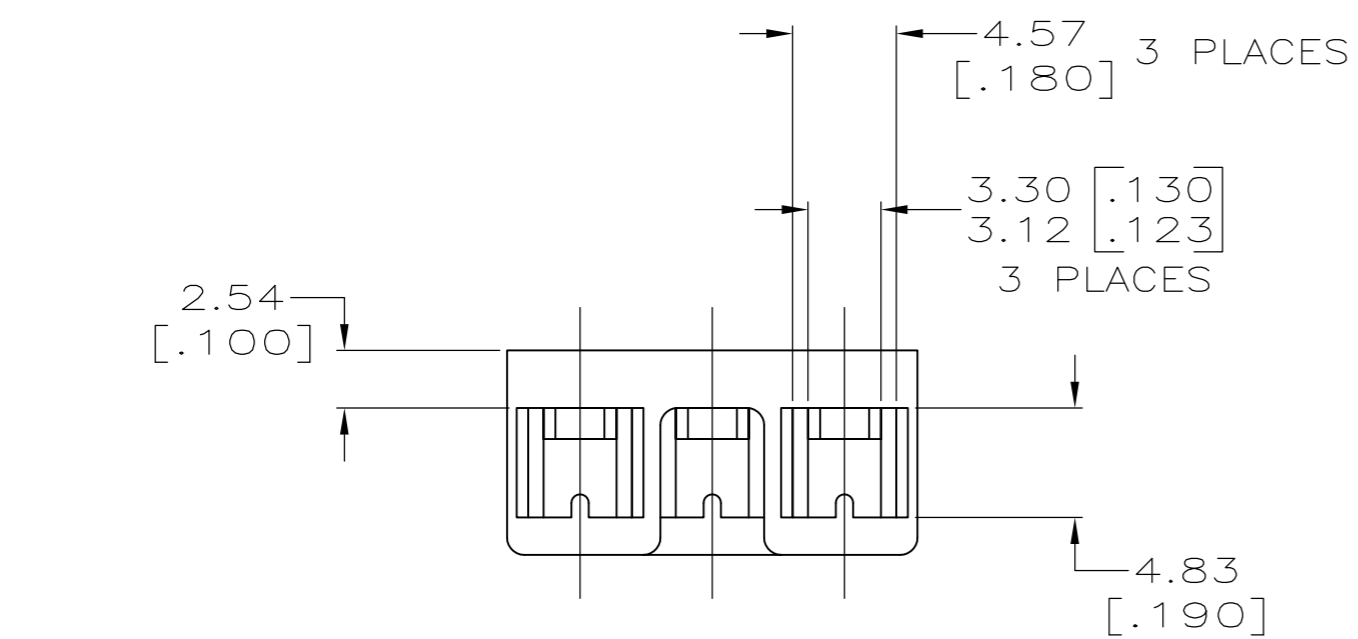


THIS DRAWING IS UNPUBLISHED. RELEASED FOR PUBLICATION
 © COPYRIGHT BY TYCO ELECTRONICS CORPORATION. ALL INTERNATIONAL RIGHTS RESERVED.

LOC		DIST		REVISIONS			
P	LTR	DESCRIPTION		DATE	DWN	APVD	
AF	50	C		REVISED PER ECR-09-006862	12AUG09	HMR	CJ

1 HOUSING ACCEPTS 2.29 [.090] DIA CLUSTER BLOCK PIN RECEPTACLE.



1217263-1
PART NUMBER

THIS DRAWING IS A CONTROLLED DOCUMENT.		DWN MICHAEL S. FEHER 12NOV1999	Tyco Electronics Corporation Harrisburg, PA 17105-3608																			
DIMENSIONS: mm [INCHES]		CHK PETE DESANTIS 12NOV1999	NAME HOUSING, CLUSTER BLOCK, 2.29 [.090] DIA																			
TOLERANCES UNLESS OTHERWISE SPECIFIED:		APVD PETE DESANTIS 12NOV1999	PRODUCT SPEC 108-2008	RESTRICTED TO -																		
<table border="0"> <tr><td>0 PLC</td><td>±</td><td>-</td></tr> <tr><td>1 PLC</td><td>±</td><td>-</td></tr> <tr><td>2 PLC</td><td>±</td><td>0.25[.010]</td></tr> <tr><td>3 PLC</td><td>±</td><td>-</td></tr> <tr><td>4 PLC</td><td>±</td><td>-</td></tr> <tr><td>ANGLES</td><td>±</td><td>3°</td></tr> </table>		0 PLC	±	-	1 PLC	±	-	2 PLC	±	0.25[.010]	3 PLC	±	-	4 PLC	±	-	ANGLES	±	3°	APPLICATION SPEC 114-2019	SIZE A2	CAGE CODE 00779
0 PLC	±	-																				
1 PLC	±	-																				
2 PLC	±	0.25[.010]																				
3 PLC	±	-																				
4 PLC	±	-																				
ANGLES	±	3°																				
MATERIAL PBT UNFILLED	FINISH NATURAL	WEIGHT -	DRAWING NO C=1217263	SCALE 3:1																		
RESTRICTED CUSTOMER		SHEET 1 OF 1		REV C																		