

DAUGHTERCARD HOLE PATTERN (CONNECTOR SIDE)

- NOTES:
1. MATERIALS: HOUSING - LIQUID CRYSTAL POLYMER (LCP), GLASS-FILLED, UL94V-0
TERMINALS - HIGH PERFORMANCE COPPER ALLOY
 2. FINISH: 30μN MIN GOLD IN CONTACT AREA, SELECTIVE TIN
ON PCB TAILS, NICKEL OVERALL.
 3. REFER TO MOLEX PRODUCT SPEC PS-170540-999 FOR PERFORMANCE SPECIFICATIONS
AND ADDITIONAL PCB INFORMATION.
 4. EACH SIGNAL WAFER CONTAINS 2 COLUMNS OF TERMINALS.
 5. PRODUCT IS PACKAGED PER PK-70873-589.
 6. THIS PART CONFORMS TO CLASS B REQUIREMENTS OF COSMETIC SPEC PS-45499-002.
 7. REFER TO MOLEX SALES DRAWING SD-170535-0003 AND RSD-170532-XXXX FOR THE
MATING HEADERS.
 8. REFER TO MOLEX PCB ROUTING GUIDE AS-76060-990 FOR ANTI PAD AND ROUTING
RECOMMENDATIONS.
 9. GROUND PATHS ARE NOT DISCRETE CIRCUITS WITHIN CONNECTOR DUE TO PRESENCE
OF PLUS CLIP.
 10. PART NUMBER 170540-5720 SHOWN ON DRAWING. KEYING FEATURES WILL CHANGE
WITH COLUMN SIZE.
 11. MINIMUM BOARD THICKNESS IS 1.00 mm FOR COMPLIANT PIN FUNCTIONALITY.
 12. WHEN USING MOLEX SUPPLIED #2-32 SCREW 73726-0000 (9.50 NOMINAL
THREADABLE SCREW LENGTH), THE MAXIMUM BOARD THICKNESS IS 4.4 mm.
 13. MARKING: LOCATED APPROXIMATELY AS SHOWN. PART NUMBER AND DATE CODE.

ADD LASER MARK INFO EC NO: UCP2016-3973 DRWING: VARVARA 2015/07/29 CHKD: TELO 2016/02/22 APPR: TELO 2016/04/20	QUALITY SYMBOLS 	GENERAL TOLERANCES (UNLESS SPECIFIED)		DIMENSION STYLE MM ONLY		SCALE 3:1	DESIGN UNITS METRIC	THIRD ANGLE PROJECTION	
		4 PLACES ± --- ± ---	DRAWN BY JLAURX	DATE 2010/09/29	TITLE IMPACT 6 PAIR PLUS 850HM DAUGHTERCARD SIGNAL GUIDE RIGHT SALES DWG			DOCUMENT NO. SD-170540-0004	SHEET NO. 1 OF 2
		3 PLACES ± --- ± ---	CHECKED BY TELO	DATE 2010/10/01	SIZE C				
		2 PLACES ± 0.13 ± ---	APPROVED BY TELO	DATE 2012/08/23	THIS DRAWING CONTAINS INFORMATION THAT IS PROPRIETARY TO MOLEX INCORPORATED AND SHOULD NOT BE USED WITHOUT WRITTEN PERMISSION				
1 PLACE ± 0.25 ± ---	ANGULAR ±1/2°		DRAFT WHERE APPLICABLE MUST REMAIN WITHIN DIMENSIONS						
0 PLACE ± ±	MATERIAL NO. SEE CHART		SIZE C						

MATERIAL NUMBER	# OF COLUMNS	# OF DIFF PAIR	DIM "A" MAX	DIM "B"	PTH ϕ
170540-5*08	8	48	22.80	13.30	0.46 +0.05
170540-5*10	10	60	26.60	17.10	
170540-5*16	16	96	38.00	28.50	
170540-5*38	8	48	22.80	13.30	0.39 +0.05
170540-5*20	10	60	26.60	17.10	
170540-5*26	16	96	38.00	28.50	

170540-5***


MODULE & TAIL PLATING TYPE
5 = RIGHT GUIDED, LEAD-FREE

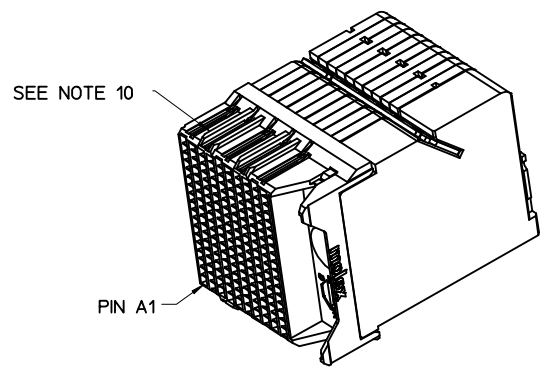
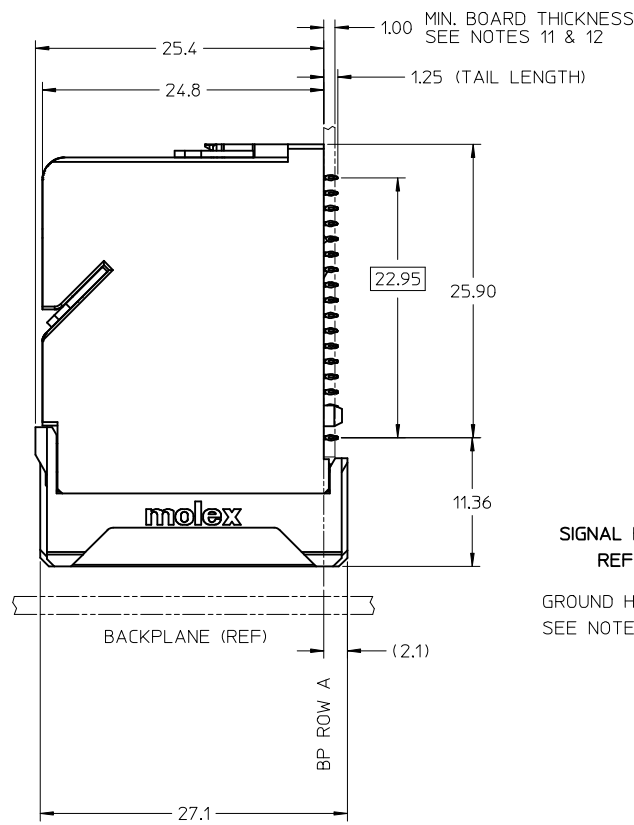
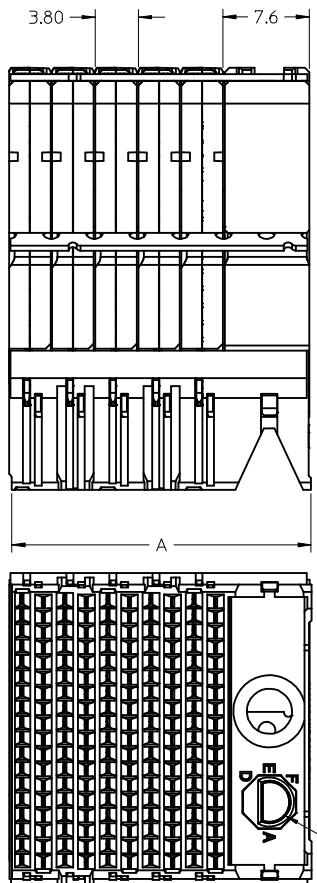
POLARIZATION KEY ORIENTATION

- 0 = NO KEY
 1 = A
 2 = B
 3 = C
 4 = D
 5 = E
 6 = F
 7 = G
 8 = H

OF COLUMNS

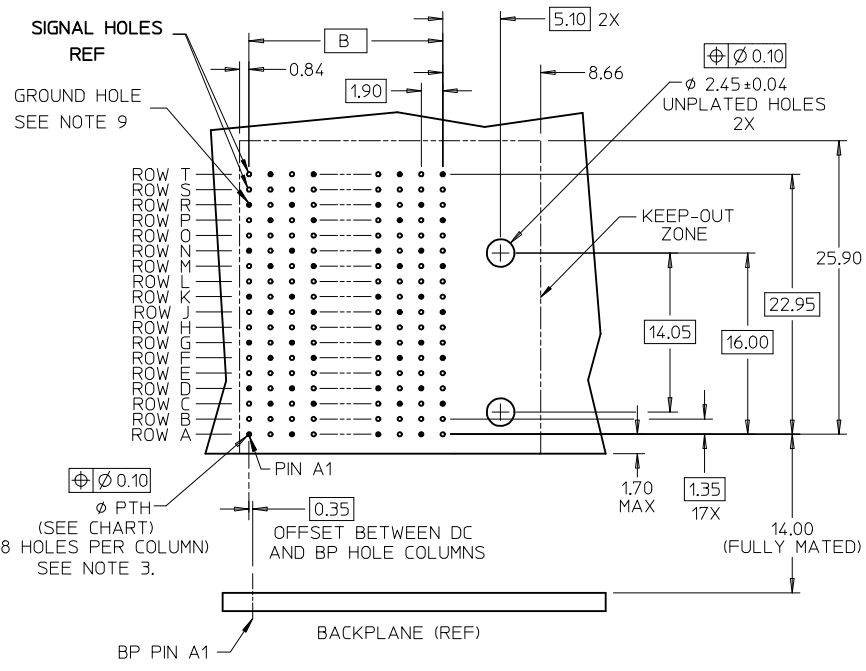
- 08 = 8 COL 0.46 PTH
 10 = 10 COL 0.46 PTH
 16 = 16 COL 0.46 PTH
 20 = 10 COL 0.39 PTH
 26 = 16 COL 0.39 PTH
 38 = 08 COL 0.39 PTH

SEE SHEET 1 EC NO: UCP2016-3973 DRWING: VYARVA 2015/07/29 CHKD: TELO 2016/02/22 APPR: TELO 2016/04/20	QUALITY SYMBOLS	GENERAL TOLERANCES (UNLESS SPECIFIED)	DIMENSION STYLE MM ONLY	SCALE 3:1	DESIGN UNITS METRIC	THIRD ANGLE PROJECTION
	▽=0	4 PLACES ± --- ± ---	DRAWN BY DATE JLAURX 2010/09/29	TITLE IMPACT 6 PAIR PLUS 850HM DAUGHTERCARD SIGNAL GUIDE RIGHT SALES DWG		
	▽=0	3 PLACES ± --- ± ---	CHECKED BY DATE TELO 2010/10/01	 DOCUMENT NO. SD-170540-0004 SHEET NO. 2 OF 2		
	▽=0	2 PLACES ± 0.13 ± ---	APPROVED BY DATE TELO 2012/08/23			
	1 PLACE ± 0.25 ± ---	ANGULAR ±1/2°	MATERIAL NO.	THIS DRAWING CONTAINS INFORMATION THAT IS PROPRIETARY TO MOLEX INCORPORATED AND SHOULD NOT BE USED WITHOUT WRITTEN PERMISSION		
	0 PLACE ± ±	DRAFT WHERE APPLICABLE MUST REMAIN WITHIN DIMENSIONS	SEE CHART			



KEY SHOWN IN POSITION "G"

- NOTES:
1. MATERIALS: HOUSING - LIQUID CRYSTAL POLYMER (LCP), GLASS-FILLED, UL94V-0
TERMINALS - HIGH PERFORMANCE COPPER ALLOY
 2. FINISH: 104N MIN GOLD IN CONTACT AREA, SELECTIVE TIN
ON PCB TAILS, NICKEL OVERALL.
 3. REFER TO MOLEX PRODUCT SPEC PS-170540-999 FOR PERFORMANCE SPECIFICATIONS
AND ADDITIONAL PCB INFORMATION.
 4. EACH SIGNAL WAFER CONTAINS 2 COLUMNS OF TERMINALS.
 5. PRODUCT IS PACKAGED PER PK-70873-589.
 6. THIS PART CONFORMS TO CLASS B REQUIREMENTS OF COSMETIC SPEC PS-45499-002.
 7. REFER TO MOLEX SALES DRAWING SD-170535-0003 AND RSD-170532-XXXX FOR THE
MATING HEADERS.
 8. REFER TO MOLEX PCB ROUTING GUIDE AS-76060-990 FOR ANTIPAD AND ROUTING
RECOMMENDATIONS.
 9. GROUND PATHS ARE NOT DISCRETE CIRCUITS WITHIN CONNECTOR DUE TO PRESENCE
OF PLUS CLIP.
 10. PART NUMBER 170540-5720 SHOWN ON DRAWING. KEYING FEATURES WILL CHANGE
WITH COLUMN SIZE.
 11. MINIMUM BOARD THICKNESS IS 1.00 mm FOR COMPLIANT PIN FUNCTIONALITY.
 12. WHEN USING MOLEX SUPPLIED #2-32 SCREW 73726-0000 (9.50 NOMINAL
THREADABLE SCREW LENGTH), THE MAXIMUM BOARD THICKNESS IS 4.4 mm.



DAUGHTERCARD HOLE PATTERN (CONNECTOR SIDE)

INITIAL CREATION MAPS PLATING EC NO: UCP2015-3240 DRW:MKRAUSE 2015/02/09 CHKD: MKRAUSE APPR:TELO 2015/03/02	QUALITY SYMBOLS 	GENERAL TOLERANCES (UNLESS SPECIFIED)		DIMENSION STYLE MM ONLY		SCALE 3:1	DESIGN UNITS METRIC	THIRD ANGLE PROJECTION		
		4 PLACES ± --- ± ---	3 PLACES ± --- ± ---	2 PLACES ± 0.13 ± ---	1 PLACE ± 0.25 ± ---	0 PLACE ± ±	DRAWN BY MKRAUSE		DATE 2015/02/09	
		ANGULAR ±1/2°		MATERIAL NO. SEE CHART		APPROVED BY TELO		DATE 2015/03/02	TITLE IMPACT 6 PAIR PLUS 850HM DC SIGNAL MAPS GUIDE RIGHT SALES DWG	
		DRAFT WHERE APPLICABLE MUST REMAIN WITHIN DIMENSIONS		SIZE C		DOCUMENT NO. SD-173120-0004		SHEET NO. 1 OF 2		
THIS DRAWING CONTAINS INFORMATION THAT IS PROPRIETARY TO MOLEX INCORPORATED AND SHOULD NOT BE USED WITHOUT WRITTEN PERMISSION										

MATERIAL NUMBER	# OF COLUMNS	# OF DIFF PAIR	DIM "A" MAX	DIM "B"	PTH ϕ
173120-5*08	8	48	22.80	13.30	0.46 +0.05
173120-5*10	10	60	26.60	17.10	
173120-5*16	16	96	38.00	28.50	
173120-5*38	8	48	22.80	13.30	0.39 +0.05
173120-5*20	10	60	26.60	17.10	
173120-5*26	16	96	38.00	28.50	

173120-5***

MODULE & TAIL PLATING TYPE
5 = RIGHT GUIDED, LEAD-FREE

POLARIZATION KEY ORIENTATION

- 0 = NO KEY
 1 = A
 2 = B
 3 = C
 4 = D
 5 = E
 6 = F
 7 = G
 8 = H

- # OF COLUMNS
 08 = 8 COL 0.46 PTH
 10 = 10 COL 0.46 PTH
 16 = 16 COL 0.46 PTH
 20 = 10 COL 0.39 PTH
 26 = 16 COL 0.39 PTH
 38 = 08 COL 0.39 PTH

SEE SHEET 1 EC NO: UCP2015-3240 DRW:MKRAUSE 2015/02/09 CHKD: APPR:TELO 2015/03/02	QUALITY SYMBOLS	GENERAL TOLERANCES (UNLESS SPECIFIED)	DIMENSION STYLE MM ONLY	SCALE 3:1	DESIGN UNITS METRIC	THIRD ANGLE PROJECTION
	▽=0	mm INCH	DRAWN BY DATE MKRAUSE 2015/02/09	TITLE IMPACT 6 PAIR PLUS 850HM DC SIGNAL MAPS GUIDE RIGHT SALES DWG		
	▽=0	4 PLACES ± --- ± ---	CHECKED BY DATE	molex DOCUMENT NO. SD-173120-0004 SHEET NO. 2 OF 2		
	▽=0	3 PLACES ± --- ± ---	APPROVED BY DATE TELO 2015/03/02			
	2 PLACES ± 0.13 ± ---	MATERIAL NO. SEE CHART				
	1 PLACE ± 0.25 ± ---	DRAFT WHERE APPLICABLE MUST REMAIN WITHIN DIMENSIONS		THIS DRAWING CONTAINS INFORMATION THAT IS PROPRIETARY TO MOLEX INCORPORATED AND SHOULD NOT BE USED WITHOUT WRITTEN PERMISSION		
	0 PLACE ± ±	ANGULAR ±1/2°				