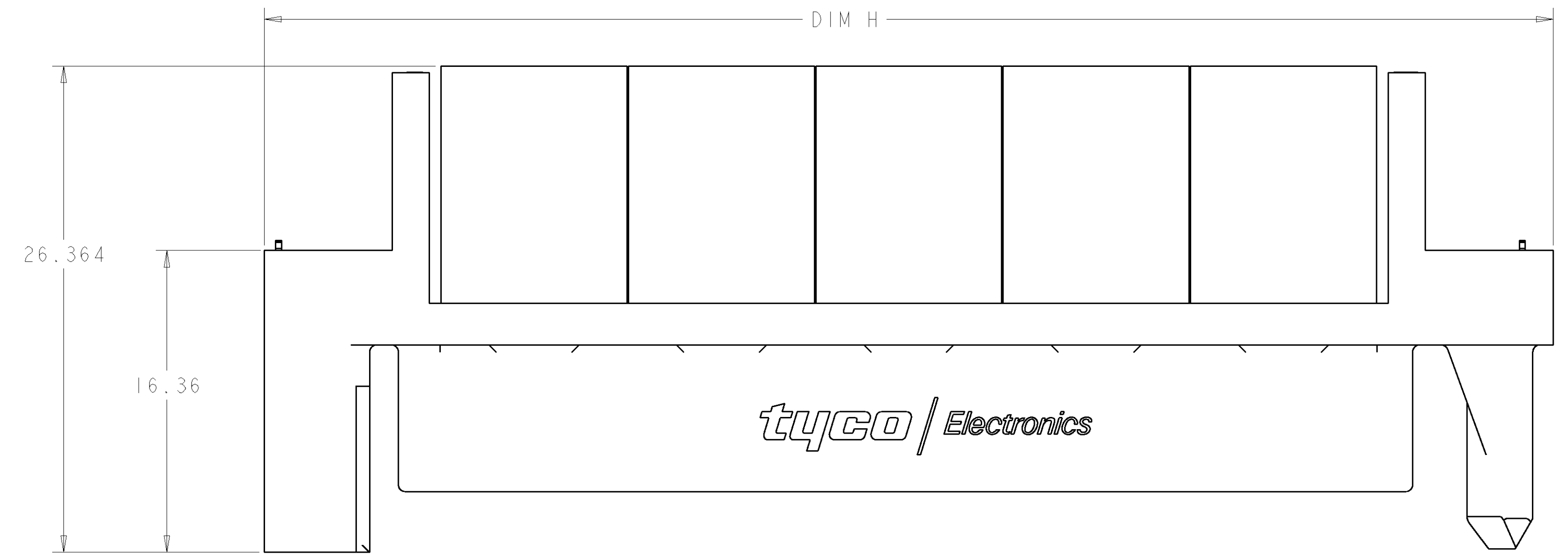
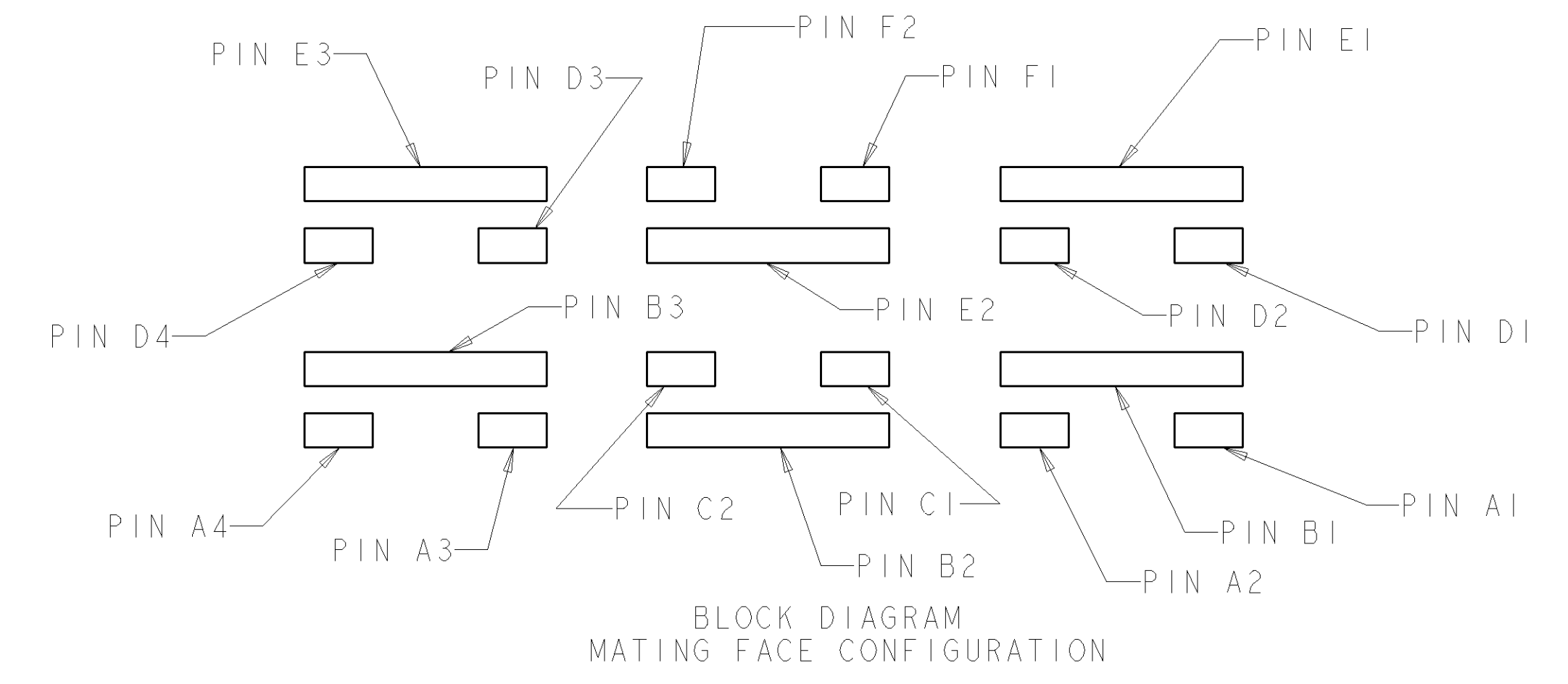
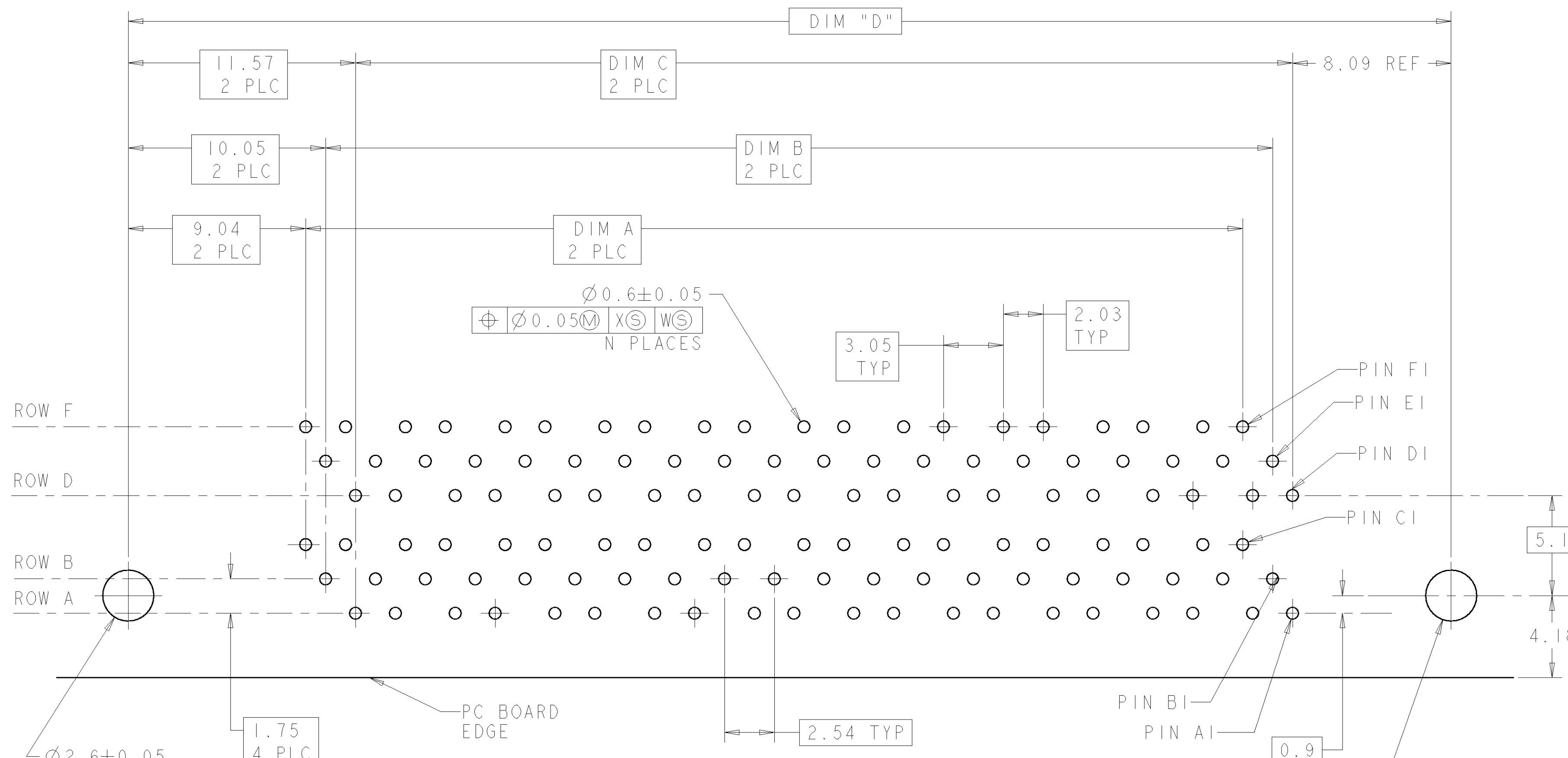
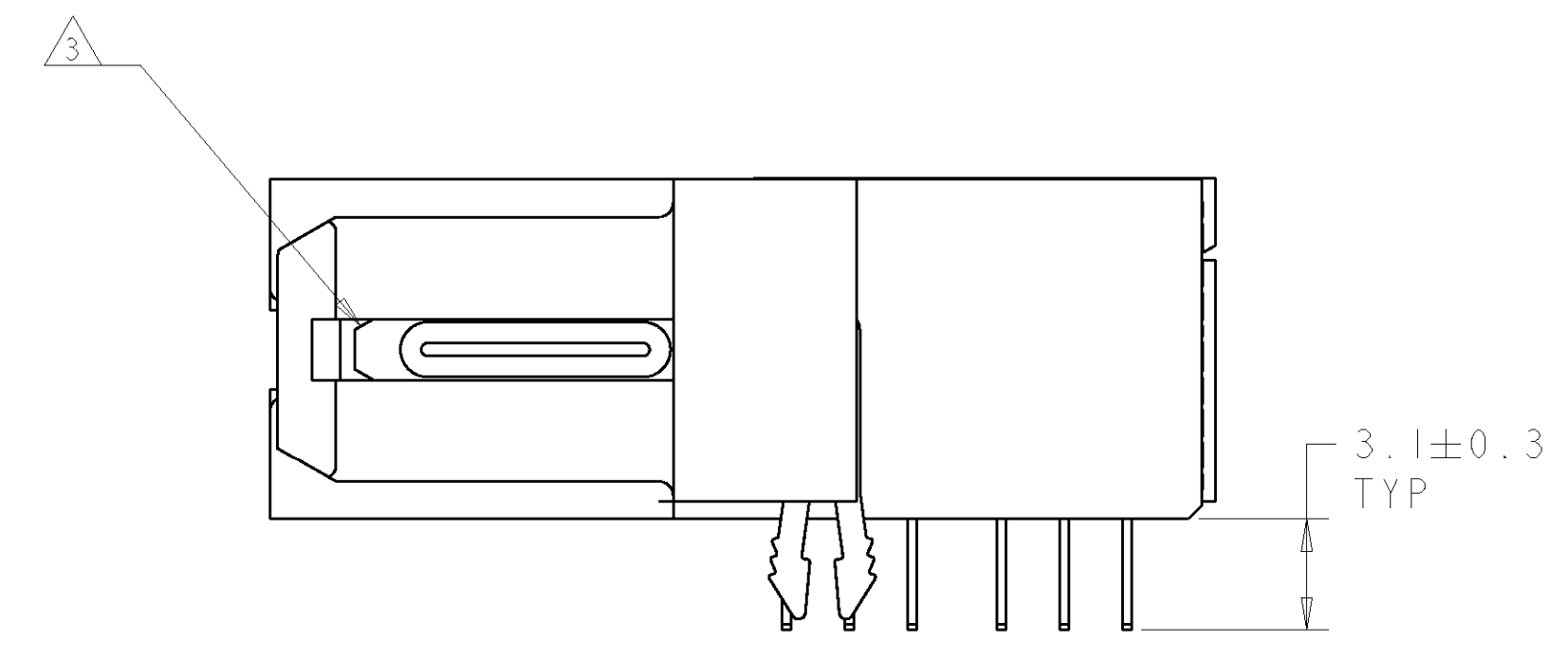
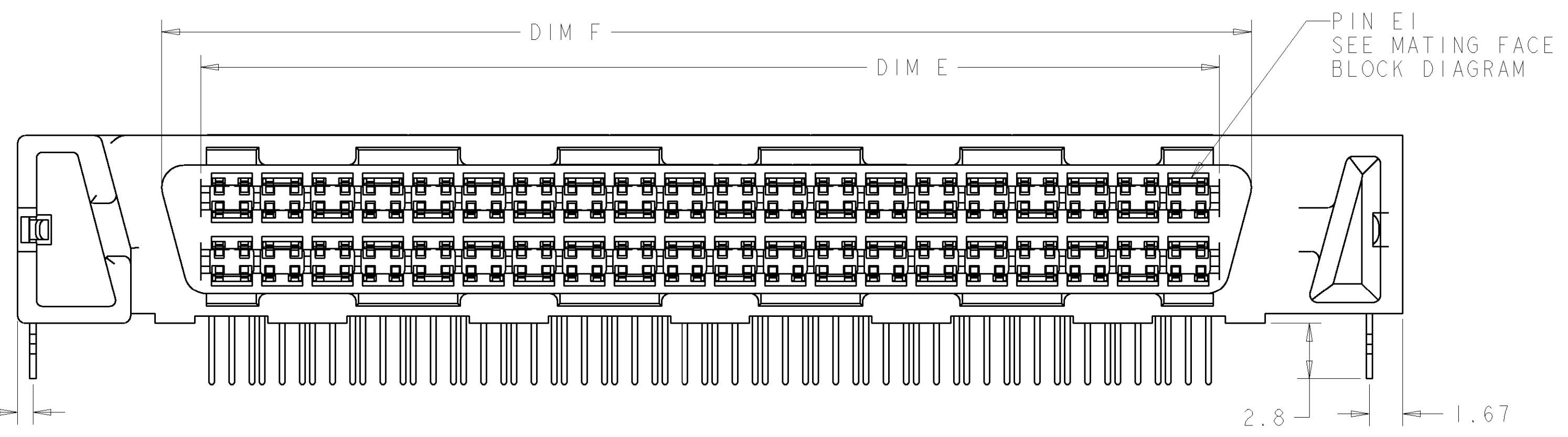


REV. NO.		REVISIONS				
LOC	DIST	P. LTR	DESCRIPTION	DATE	DWN	APPR
GP	00	A	RELEASED	30NOV2005	EDB	EDB
		A1	REVISED PER ECO-09-025699	08DEC09	KK	AEG



- 1. MATERIAL:
HOUSING AND ORGANIZER: POLYESTER, NATURAL
CONTACTS: COPPER ALLOY
BOARDLOCKS: BRASS
- 2. PLATING:
BOARDLOCKS: 2.0µm MIN. TIN OVER 1.00µm MIN NICKEL
CONTACTS: 0.76µm MIN GOLD IN CONTACT AREA, 2.54µm MIN TIN IN TERMINATION AREA, BOTH OVER 1.27µm MIN NICKEL.
- 3. CONTACT ENGAGING SEQUENCE: BOARDLOCK (ESD), GROUND, SIGNAL
- 4. DATE CODE MAY BE MARKED ON EITHER END.
- 5. ROWS A, C, D, AND F ARE SIGNAL CONTACTS
ROWS B AND E ARE GROUND CONTACTS.
- 6. CONNECTOR SIZE CAN ACCOMMODATE INDICATED QUANTITY OF DIFFERENTIAL PAIRS.
- 7. COMPONENT HAS NOT PASSED VERIFICATION TESTING.
- 8. OBSOLETE PARTS: OBSOLETE CIS STREAMLINING PER D.RENAUD/D.SINISI



	N	H DIM	F DIM	E DIM	D DIM	C DIM	B DIM	A DIM	DIFF PAIRS	PART NO.
OBSOLETE	216	110.50	95.62	92.04	108.05	88.39	88.90	88.39	72	6367130-7
	96	59.70	44.82	41.24	57.25	37.59	38.10	37.59	32	6367130-6
	72	49.54	34.66	31.08	47.09	27.43	27.94	27.43	24	6367130-5
OBSOLETE	192	100.34	85.46	81.88	97.89	78.23	78.74	78.23	64	6367130-4
	168	90.18	75.30	71.72	87.73	68.07	68.58	68.07	56	6367130-3
	144	80.02	65.14	61.56	77.57	57.91	58.42	57.91	48	6367130-2
	120	69.86	54.98	51.40	67.41	47.75	48.26	47.75	40	6367130-1

RECOMMENDED PC BOARD FOOTPRINT
 COMPONENT SIDE SHOWN
 SCALE 6:1

DIMENSIONS:		TOLERANCES UNLESS OTHERWISE SPECIFIED:		DWN E. BRIANT 30NOV2005		AMP Tyco Electronics Harrisburg, PA 17105-3608	
mm	0 PLC ±	1 PLC ±0.3	2 PLC ±0.13	3 PLC ±	4 PLC ±	NAME Z-DOK CONNECTOR ASSEMBLY, RECEPTACLE, ESD CONTACTS	
MATERIAL		FINISH		APPR M. WALMSLEY 30NOV2005		SIZE 108-1985	
CUSTOMER DRAWING		SCALE 4:1		WEIGHT		CAGE CODE DRAWING NO A1 00779 C-6367130	
				REVISIONS		RESTRICTED TO	