

4

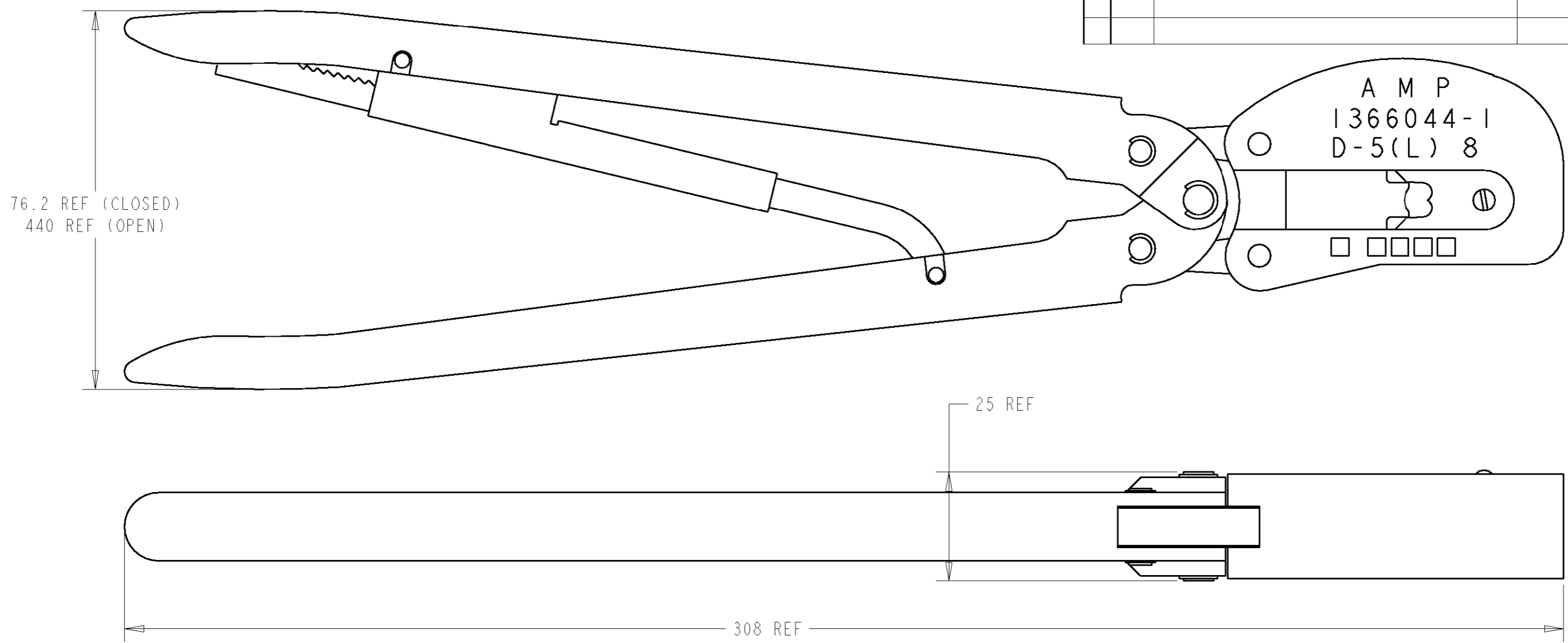
3

2

1

THIS DRAWING IS UNPUBLISHED. RELEASED FOR PUBLICATION 20
 © COPYRIGHT 20 BY TYCO ELECTRONICS CORPORATION. ALL RIGHTS RESERVED.

| LOC | DIST | REVISIONS | | | | | |
|-----|------|-----------|-----|----------------------|-----------|-----|------|
| J | - | P | LTR | DESCRIPTION | DATE | DWN | APVD |
| | | | A | REVISED FJ00-0877-01 | 25-Apr-01 | J.K | S.Y |
| | | | | | | | |
| | | | | | | | |



| CRIMP SYMBOL | TERMINAL NO | WIRE SIZE AWG (mm ²) | INS RANGE (mm) | TERMINAL CH (mm) | | IS NO | APPL SPEC | WEIGHT (g) |
|--------------|-------------|----------------------------------|----------------|------------------|--------|----------|-----------|------------|
| | L.P. | | | WIRE | INS | | | |
| 圧着記号 | 適用端子型番 | 電線サイズ | 絶縁被覆径 | 圧着高さ | | 取扱説明書番号 | 取付適用規格 | 重量 |
| | ハ"ラ状 | | | 芯線部 | 被覆部 | | | |
| 8 | 1318697-6 | ④ #8 (7.27-9.00) | 4.9-7.8 | ④ 3.09-3.29 | 6.5MAX | 411-5976 | 114-5206 | 910 |

THIS DRAWING IS A CONTROLLED DOCUMENT FOR TYCO ELECTRONICS CORPORATION. IT IS SUBJECT TO CHANGE AND THE CONTROLLING ENGINEERING ORGANIZATION SHOULD BE CONTACTED FOR THE LATEST REVISION.

| | | | |
|----------------|---|-----------------------|--|
| DIMENSIONS: mm | TOLERANCES UNLESS OTHERWISE SPECIFIED: | DWN J.KOGA 25-Apr-01 | Tyco Electronics AMP K.K. Kawasaki, Japan |
| | 0 PLC ±- 1 PLC ±- 2 PLC ±- 3 PLC ±- 4 PLC ±- ANGLES ±- | CHK J.KOGA 25-Apr-01 | |
| | | APVD S.YABE 25-Apr-01 | |
| MATERIAL | FINISH | PRODUCT SPEC - | NAME HEAVY HEAD HAND TOOL (Dynamic D5-L Contact) |
| | | APPLICATION SPEC - | SIZE A3 |
| | | WEIGHT - | CAGE CODE 00779 |
| | | CUSTOMER DRAWING | DRAWING NO C-1366044-1 |
| | | | RESTRICTED TO - |
| | | | SCALE - SHEET 1 OF 1 REV A |