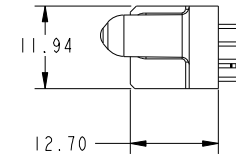
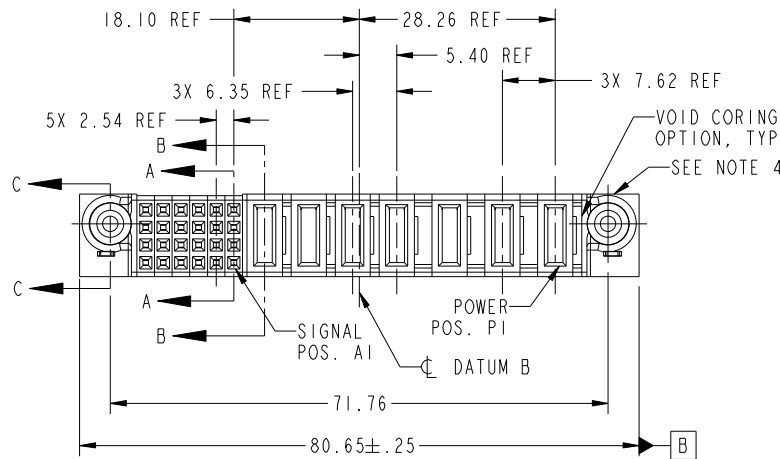


Tous droits strictement réservés. Reproduction ou communication a des tiers interdite sous quelque forme que ce soit sans autorisation écrite du propriétaire. Propriete de c FCI. Droits de reproduction FCI.



All rights strictly reserved. Reproduction or issue to third parties in any form whatever is not permitted without written authority from the proprietor. Property of FCI. Copyright FCI.

PRODUCT NO.	ROWS	SIGNAL					POWER					E1				
		E2	6	5	4	3	2	1	P7	P6	P5		P4	P3	P2	P1
51940-226-- NOTE: 3	D C B A		E	E	E	E	E	E	PD	PD	PD	PD	PA	PD	PD	



CODE	DIM "M" MATING LENGTH	CONTACT TYPE
E	[N/A]	SIGNAL
PD	[2.34]	POWER
HA	[N/A]	HOLD-DOWN
PA	[1.07]	POWER

mat'l code				SEE NOTES		tolerances unless otherwise specified		CUSTOMER		FCI	
ltr	ecn no.	dr	date	linear	0.X ± 0.3	projection		COPY		www.fciconnect.com	
A	DG07-0191	JMG	05/11/07	angles	0.XX ± 0.13	MIM		title		3ACP + 4P + 24S VERTICAL SOLDER RECEPT	
				dr	0.XXX ± 0.051	scale		product family		PwrBlade code	
				enr	0° ± 2°	1:1		size		213	
				chr	JM GUO 05/11/07			dwg no		1 of 4	
				appd	RYAN YUAN 05/11/07			51940-226			
					GARY HSIEH 05/11/07						
					JOSEPH HSIA 05/11/07						
sheet index	revision sheet	A	A	A	A						
		1	2	3	4						

cage code 22526

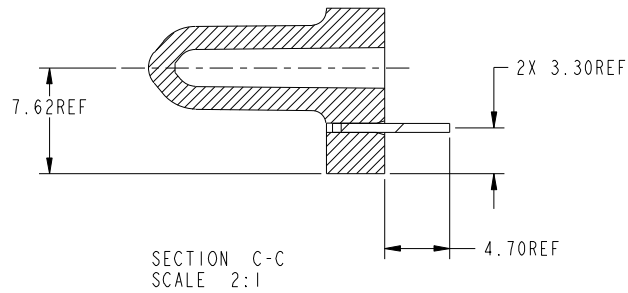
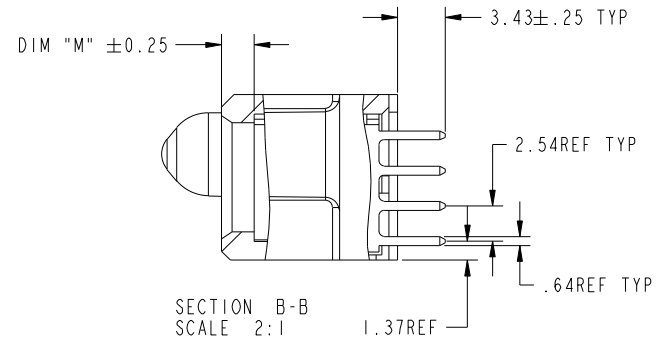
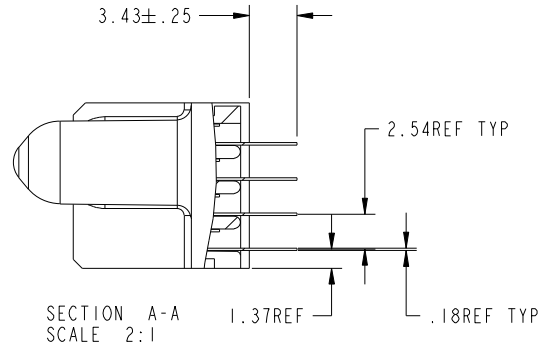
Pro/E

Tous droits strictement reserves. Reproduction ou communication a des tiers interdite sous quelque forme que ce soit sans autorisation écrite du propriétaire. Propriete de c FCI. Droits de reproduction FCI.

All rights strictly reserved. Reproduction or issue to third parties in any form whatever is not permitted without written authority from the proprietor. Property of FCI. Copyright FCI.



PRODUCT NUMBER
51940-226--
NOTE: 3



mat'l code				tolerances unless otherwise specified		CUSTOMER		 www.fciconnect.com	
ltr	ecn no.	dr	date	linear	0.X ± 0.3	COPY		title	
A					0.XX ± 0.13	projection		3ACP + 4P + 24S VERTICAL SOLDER RECEPT	
				angles	0.XXX ± 0.051			product family	
				dr	0° ± 2°	MIM		PwrBlade	
				enr	JM GUO 05/11/07			code	
				chr	RYAN YUAN 05/11/07	scale		213	
				appd	GARY HSIEH 05/11/07	1:1		sheet	
					JOSEPH HSIA 05/11/07			2 of 4	
sheet index		revision sheet							

cage code 22526

Pro/E

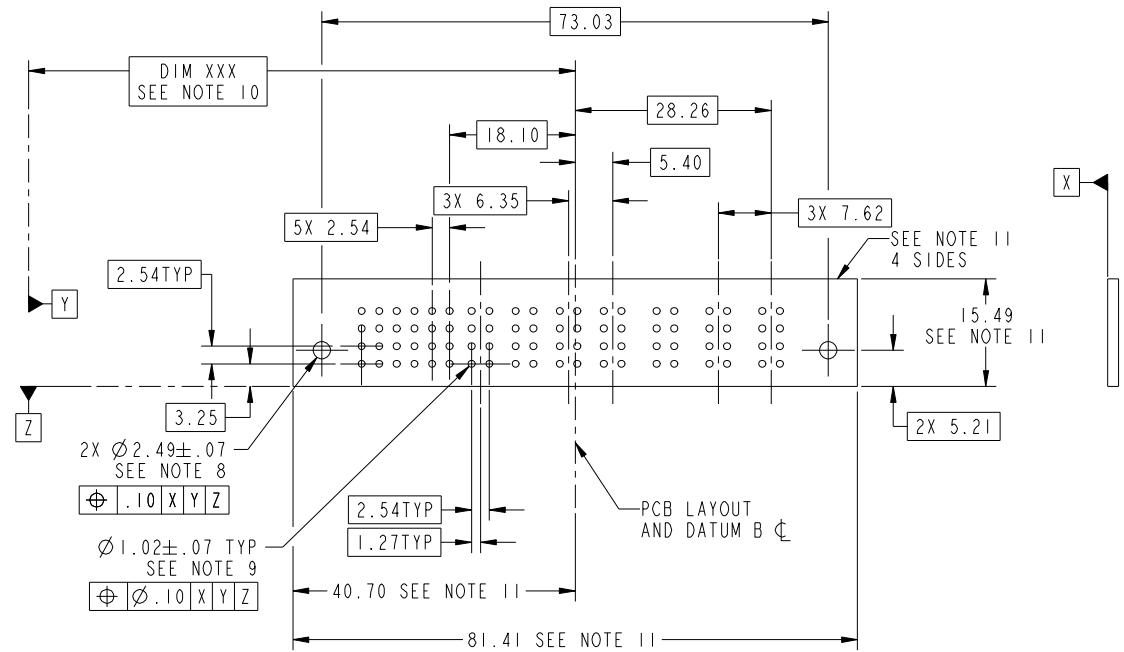
Tous droits strictement reserves. Reproduction ou communication a des tiers interdite sous quelque forme que ce soit sans autorisation écrite du propriétaire. Propriete de c FCI. Droits de reproduction FCI.



All rights strictly reserved. Reproduction or issue to third parties in any form whatever is not permitted without written authority from the proprietor. Property of FCI. Copyright FCI.

PRODUCT NUMBER
51940-226--
NOTE: 3

1 | 2 | 3 | 4



A

A

mat'l code				tolerances unless otherwise specified		CUSTOMER		FCI	
ltr	ecn no.	dr	date	linear	0.X ±0.3	COPY		www.fciconnect.com	
A				linear	0.XX ±0.13	projection		title	
				angles	0.XXX ±0.051			3ACP + 4P +24S VERTICAL SOLDER RECEPT	
				dr	0° ±2°			product family PwrBlade code	
				enr	JM GUO 05/11/07	scale		size	
				chr	RYAN YUAN 05/11/07	1:1		dwg no	
				appd	GARY HSIEH 05/11/07			51940-226	
					JOSEPH HSIA 05/11/07			sheet	
sheet index	revision sheet							3 of 4	

B

B

1 | 2 | Pro/E | 3 | cage code 22526 | 4

Tous droits strictement reserves. Reproduction ou communication a des tiers interdite sous quelque forme que ce soit sans autorisation écrite du propriétaire. Propriete de c FCI. Droits de reproduction FCI.

All rights strictly reserved. Reproduction or issue to third parties in any form whatever is not permitted without written authority from the proprietor. Property of FCI. Copyright FCI.



PRODUCT NUMBER
51940-226--
NOTE: 3

NOTES:

1. DIMENSIONS AND TOLERANCES ARE IN ACCORDANCE WITH ASME Y14.5M, 1994 UNLESS OTHERWISE SPECIFIED.

CONNECTOR NOTES:

- ② HOUSING MATERIAL: UL 94 V-0 GLASS FILLED
HIGH-TEMP THERMOPLASTIC
POWER CONTACT MATERIAL: COPPER ALLOY
SIGNAL PIN MATERIAL: COPPER ALLOY
 - 3. PLATING SPEC.
51940-226, 51940-226LF PLATING SPEC. WAS SHOWN IN THE PRINT OF 10064183.
 - ④ MANUFACTURER'S NAME, P/N, AND DATE CODE TO APPEAR ON THIS SURFACE.
 - 5. PRODUCT SPECIFICATION GS-12-149.
APPLICATION SPECIFICATION BUS-20-067.
 - 6. PACKAGED IN TRAYS.
- PCB NOTES:
- 7. ALL HOLE DIAMETERS ARE FINISHED HOLE SIZE.
 - ⑧ MOUNTING HOLES, WHERE APPLICABLE, ARE UNPLATED.
 - ⑨ $\varnothing 1.151 \pm 0.025$ DRILLED HOLES PLATED WITH
0.008 MIN SnPb OR Sn OVER 0.03
TO 0.08 Cu PLATING TO ACHIEVE
 $\varnothing 1.02 \pm .07$ HOLE.
 - ⑩ "DIM XXX" TO BE DETERMINED BY THE CUSTOMER.
 - ⑪ CONNECTOR KEEP-OUT ZONE.

mat'l code				tolerances unless otherwise specified		CUSTOMER		FCI		www.fciconnect.com	
ltr	ecr no.	dr	date	linear	0.X ± 0.3	COPY		title			
A					0.XX ± 0.13	projection		3ACP + 4P + 24S VERTICAL SOLDER RECEPT			
				angles	0.XXX ± 0.051			product family PwrBlade code			
				dr	0° ± 2°	MIM		size		213	
				enr	JM GUO 05/11/07			dwg no		sheet	
				chr	RYAN YUAN 05/11/07	scale		51940-226		4 of 4	
				appd	GARY HSIEH 05/11/07	1:1		A			
					JOSEPH HSIA 05/11/07						
sheet index		revision sheet									

cage code 22526

Pro/E