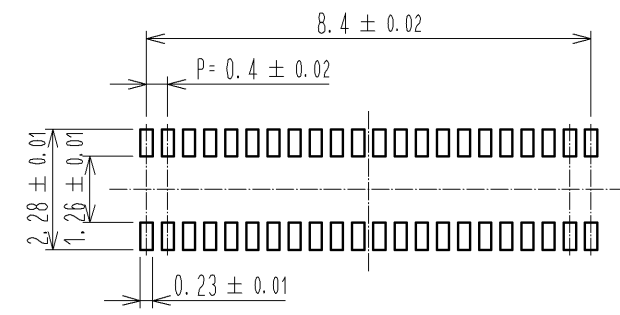
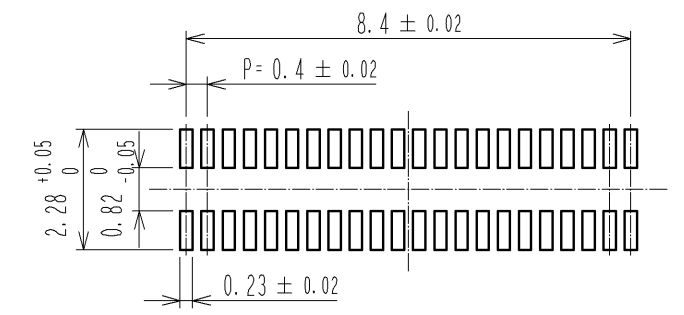


RECOMMENDED METAL MASK  
OPENING PATTERN

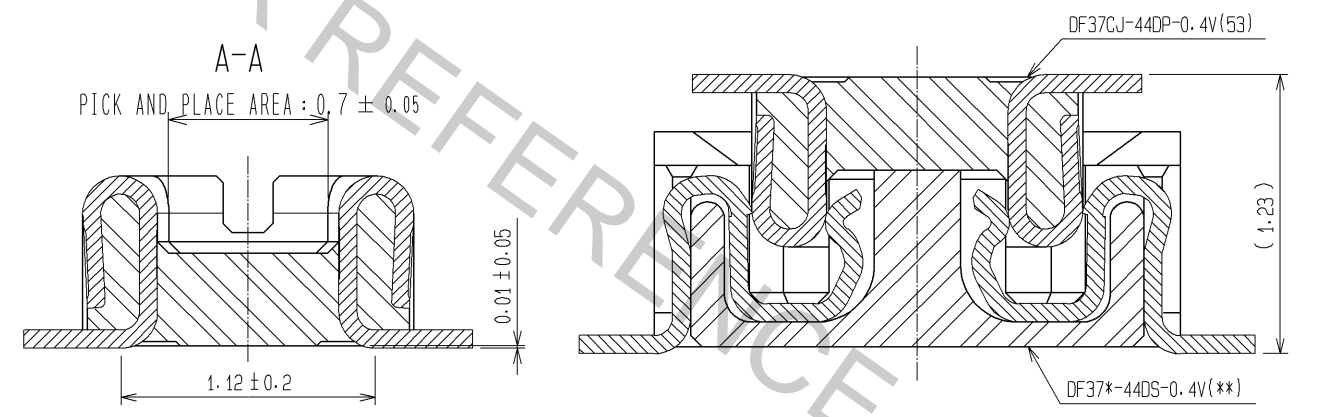


RECOMMENDED PATTERN



RECOMMENDED SOLDER PASTE THICKNESS: 120μm

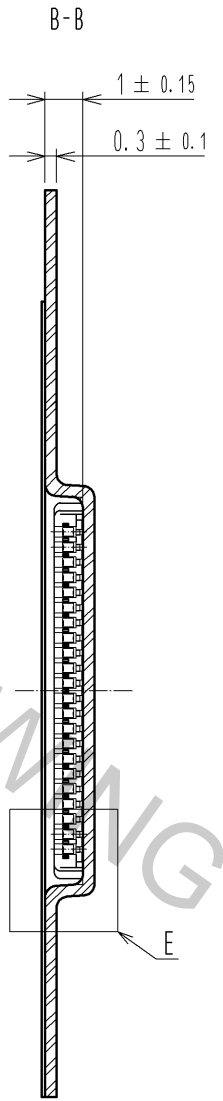
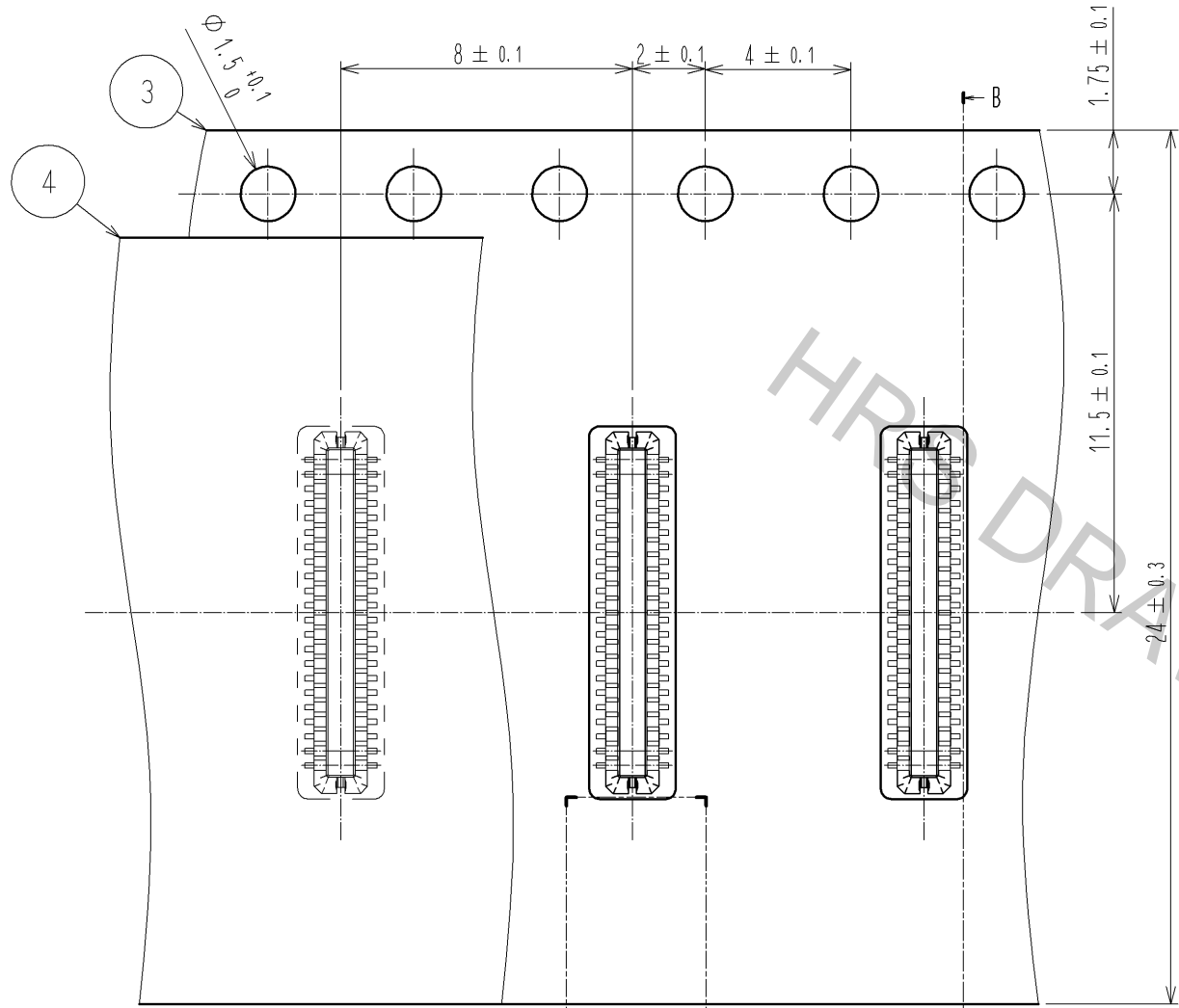
ENGAGEMENT FIGURE



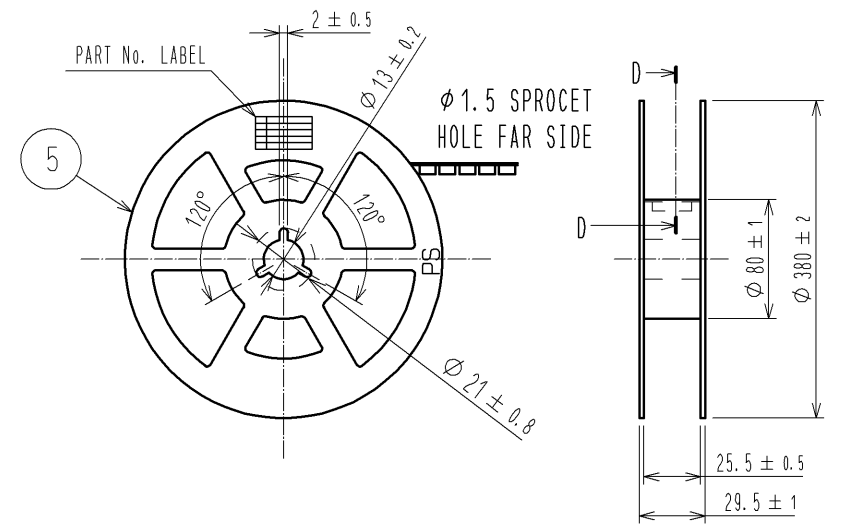
- NOTES 1. ALL LEADS CO-PLANARITY SHALL BE 0.1 mm MAX.  
 2. CONTACT PLATING SPECIFICATIONS.  
 CONTACT AREA : GOLD 0.05μm MIN  
 SMT LEAD : GOLD 0.05μm MIN  
 UNDER PLATING : NICKEL 1μm MIN  
 (SURFACE : SEALING)

3	PS	CLEAR, EMBOSSED CARRIR TAPE	6	PS	CLEAR, REINFORCING COLLAR			
2	PHOSPHOR BRONZE	2	5	PS	BLACK, PLASTIC REEL			
1	LCP	UL94V-0, BLACK	4	POLYESTER	CLEAR, COVER TAPE			
NO.	MATERIAL	FINISH . REMARKS	NO.	MATERIAL	FINISH . REMARKS			
UNITS	mm	SCALE	10:1	COUNT	DESCRIPTION OF REVISIONS	DESIGNED	CHECKED	DATE
HIROSE ELECTRIC CO., LTD.		APPROVED	: MO. ISHIDA	14.10.24	DRAWING NO.	EDC3-338056-01		
		CHECED	: TS. MIYAZAKI	14.10.24	PART NO.	DF37CJ-44DP-0.4V(53)		
		DESIGNED	: NY. YAMASHIRO	14.10.24	CODE NO.	CL684-3091-5-53		
		DRAWN	: KR. AJITO	14.10.23				

EMBOSSED CARRIER TAPE PACKAGING (5:1)



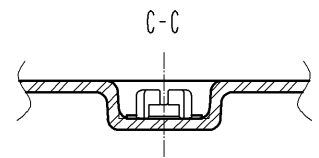
STYLE AND DIMENSION OF REEL (FREE SIZE)



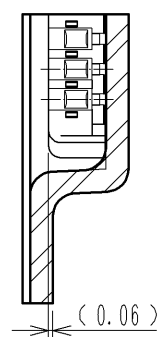
6 DETAIL OF PART NO. LABEL

SUPPLIER	
QUANTITY	
PART NO.	
CODE NO.	
DATE OF MANUFACTURED	
製造年月日	年 月 日
製品コード	CL684-3091-5-53
製品名	DF37CJ-44DP-0.4V(53)
数量	1000個
納入者	ヒロセ電機(株)

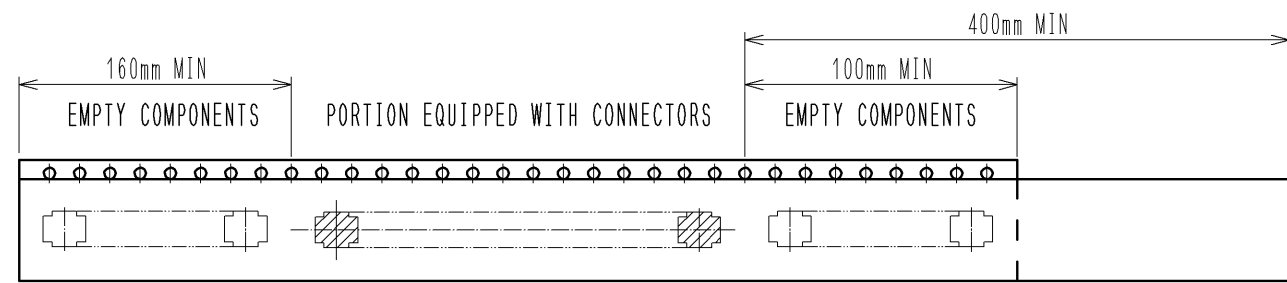
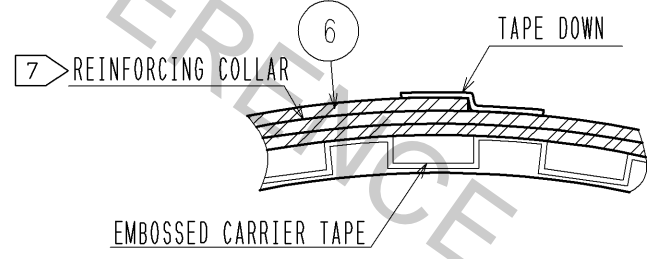
DIRECTION OF UNREELING



E(10:1)



D-D(FREE)



- NOTES
- PER REEL 1000 CONNECTORS.
  - THE DIMENSIONS IN PARENTHESES ARE FOR REFERENCE.
  - REFER TO JIS C 0806-3, IEC 60286-3 (PACKING OF COMPONENTS FOR AUTOMATIC HANDLING)
  - DETAIL OF PART NO. LABEL IS WRITTEN IN JAPANESE.
  - AFTER FINISHING THE REELING, COVER THE SURFACE WITH 2 METERS OF REINFORCING COLLAR AND THE DOWN AT THE END.

<b>HRS</b>	DRAWING NO.	EDC3-338056-01
	PART NO.	DF37CJ-44DP-0.4V(53)
	CODE NO.	CL684-3091-5-53
		△ 2/2