

**ebm-papst St. Georgen GmbH & Co. KG**

Hermann-Papst-Str. 1

D-78112 St. Georgen

Phone +49 (0) 7724 81-0

Fax +49 (0) 7724 81-1309

info2@de.ebmpapst.com

www.ebmpapst.com

**Nominal data**

| Type                     | 4118 NH5          |          |
|--------------------------|-------------------|----------|
| Nominal voltage          | VDC               | 48       |
| Nominal voltage range    | VDC               | 36 .. 60 |
| Speed (rpm)              | min <sup>-1</sup> | 7500     |
| Power consumption        | W                 | 45       |
| Min. ambient temperature | °C                | -20      |
| Max. ambient temperature | °C                | 65       |
| Air flow                 | m <sup>3</sup> /h | 390      |
| Sound power level        | B                 | 7.6      |
| Sound pressure level     | dB(A)             | 70       |

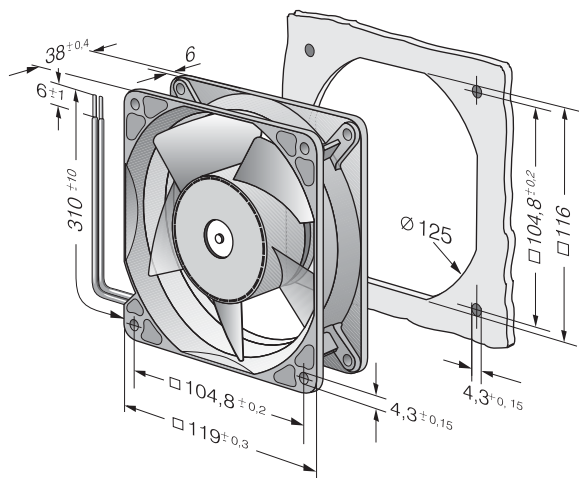
ml = Max. load · me = Max. efficiency · fa = Free air · cs = Customer specification · ce = Customer equipment  
Subject to change



**Technical description**

|  |   |
|--|---|
| <b>General description</b>                     | * Power consumption when wide open; these values may be considerably higher at the operating point. |
| <b>Impeller material</b>                       | Glass-fiber reinforced PA plastic   |
| <b>Weight</b>                                  | 0.390 kg  |
| <b>Dimensions</b>                              | 119 x 119 x 38 mm   |
| <b>Housing material</b>                        | Die-cast aluminum   |
| <b>Airflow direction</b>                       | Intake over struts  |
| <b>Direction of rotation</b>                   | Clockwise, viewed toward rotor  |
| <b>Storage</b>                                 | Ball bearing  |
| <b>Service life L10 at 40 °C</b>               | 62500 h   |
| <b>Service life L10 at maximum temperature</b> | 35000 h   |
| <b>Cable</b>                                   | Leads AWG 22, UL 1007, TR 64, stripped and tin-plated.  |
| <b>Motor protection</b>                        | Protection against reverse polarity and blocked rotor.  |
| <b>Approval</b>                                | VDE, CSA, UL  |
| <b>Option</b>                                  | Speed signal  |

## Product drawing



**Curves: Air performance**

