

THIS DRAWING IS UNPUBLISHED.

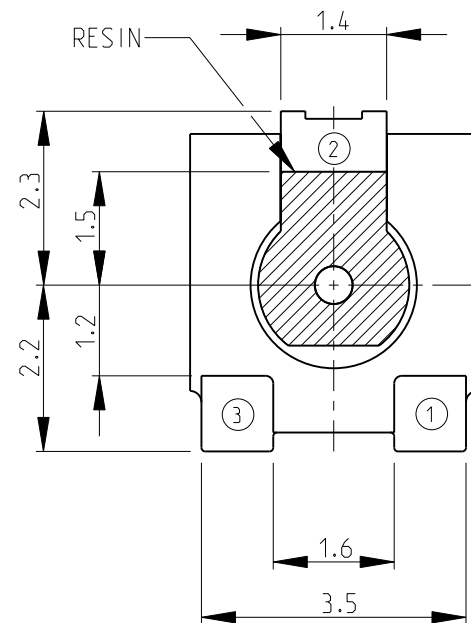
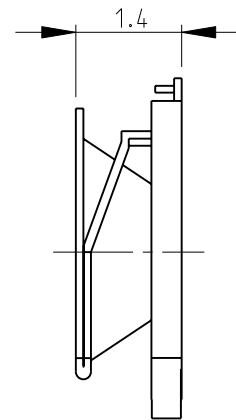
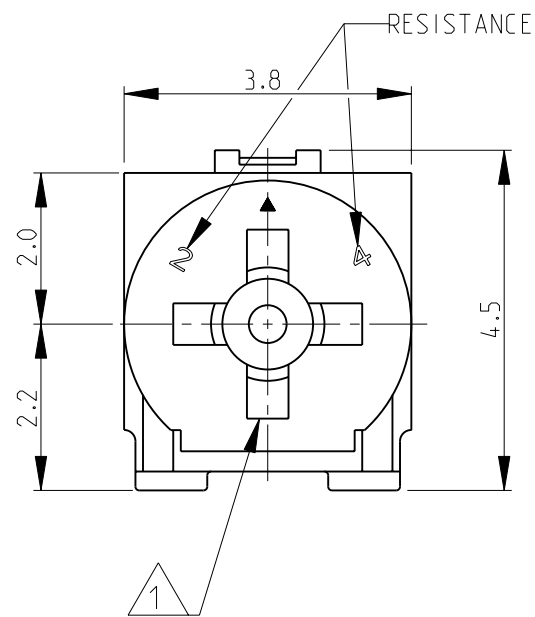
RELEASED FOR PUBLICATION

2008

© COPYRIGHT 2008 BY -

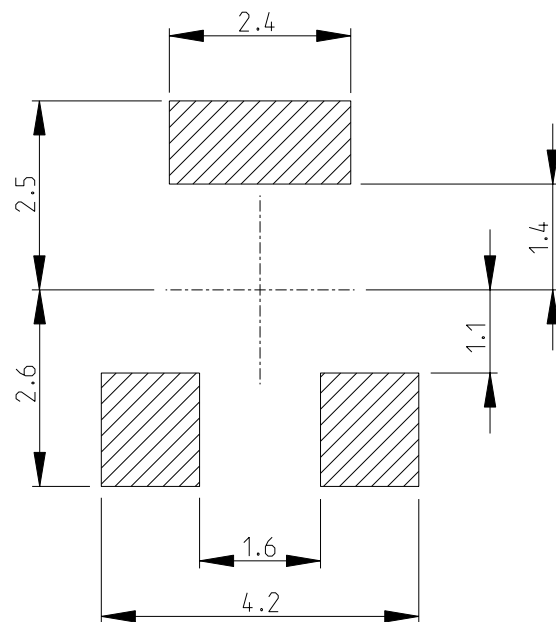
ALL RIGHTS RESERVED.

LOC	DIST	REVISIONS				
P	LTR	DESCRIPTION	DATE	DWN	APVD	
E	B	BB1	REVISED PER ECO-11-005150	29MAR2011	RK	HMR

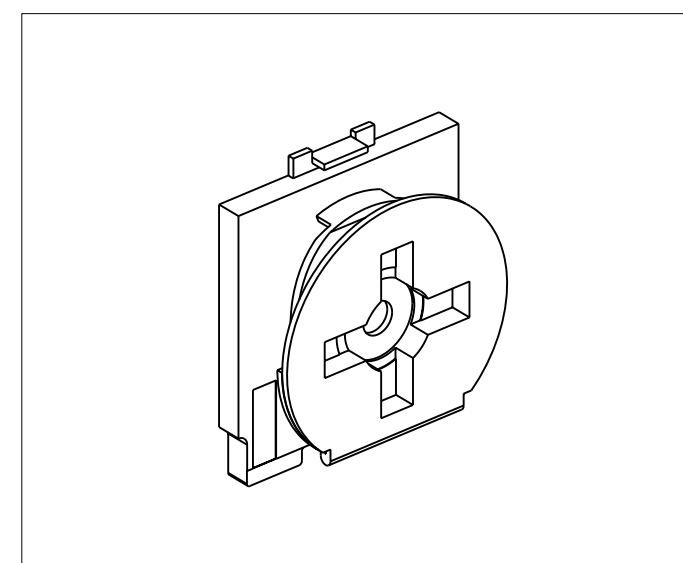



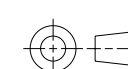
- 1 DRIVER SLOT: WIDTH- 0.55mm, LENGTH- 2.5mm, DEPTH- 0.35mm
- 2 FOR FURTHER INFORMATION SEE DATA SHEET FOR 3150 SERIES-SMD ECONOMY TRIMMERS

RECOMMENDED LAND PATTERN



RoHS Compliant



THIS DRAWING IS A CONTROLLED DOCUMENT.		DWN	SUBHASH.M 12-NOV-08		 TE Connectivity							
DIMENSIONS: mm		CHK	PRAKASH.S 12-NOV-08									
		APVD	STEPHEN.P 12-NOV-08									
TOLERANCES UNLESS OTHERWISE SPECIFIED:		PRODUCT SPEC	-									
0 PLC ± 0.2 1 PLC ± 0.1 2 PLC ± - 3 PLC ± - 4 PLC ± - ANGLES ± 5°		APPLICATION SPEC	-		NAME	SMD ECONOMY TRIMMERS SERIES 3150						
MATERIAL -		FINISH -	WEIGHT	0.2g	SIZE	A3	CAGE CODE	00779	DRAWING NO	1623913	RESTRICTED TO	-
CUSTOMER DRAWING			SCALE	10:1	SHEET	1	OF	1	REV	BB1		