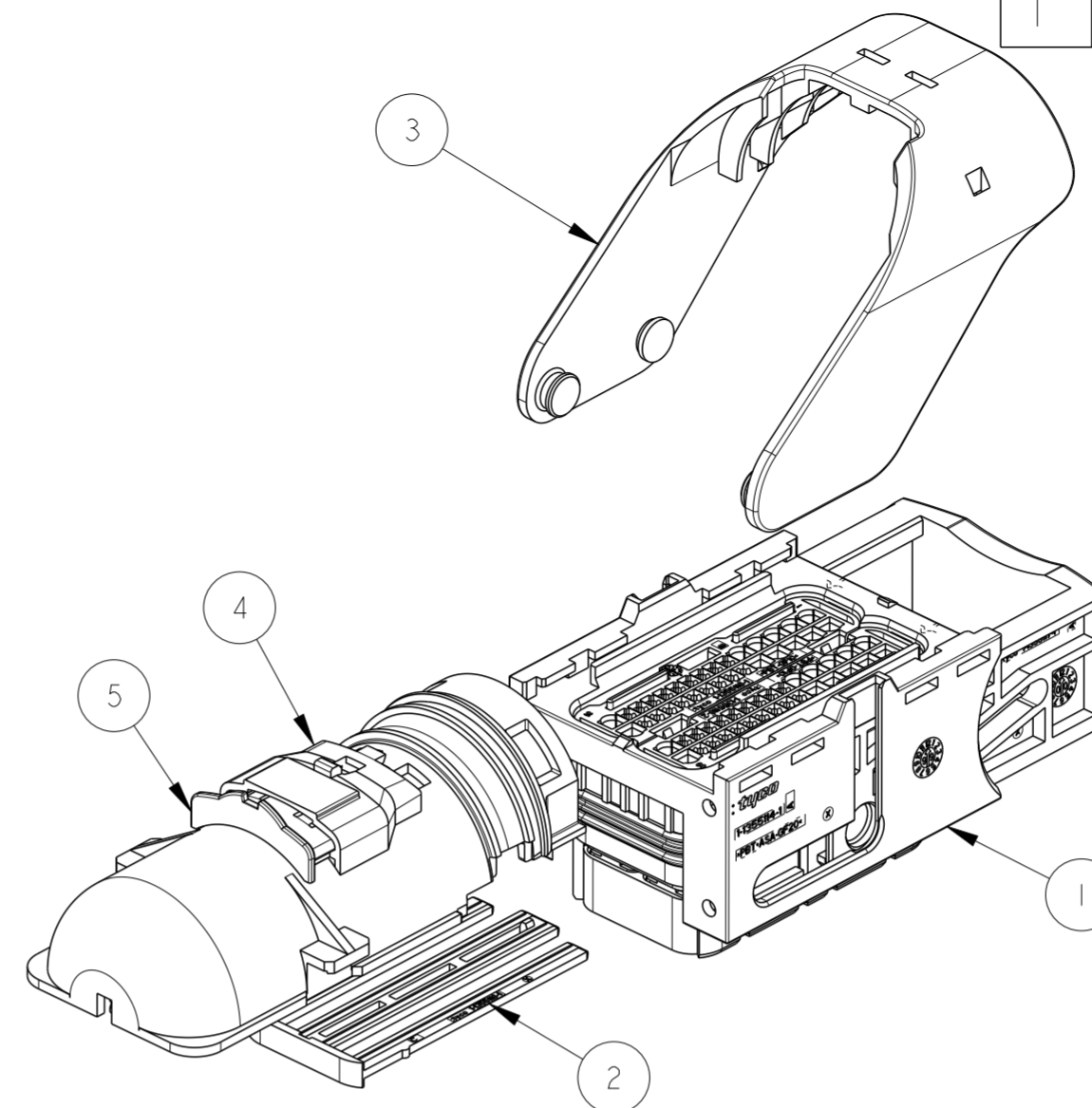
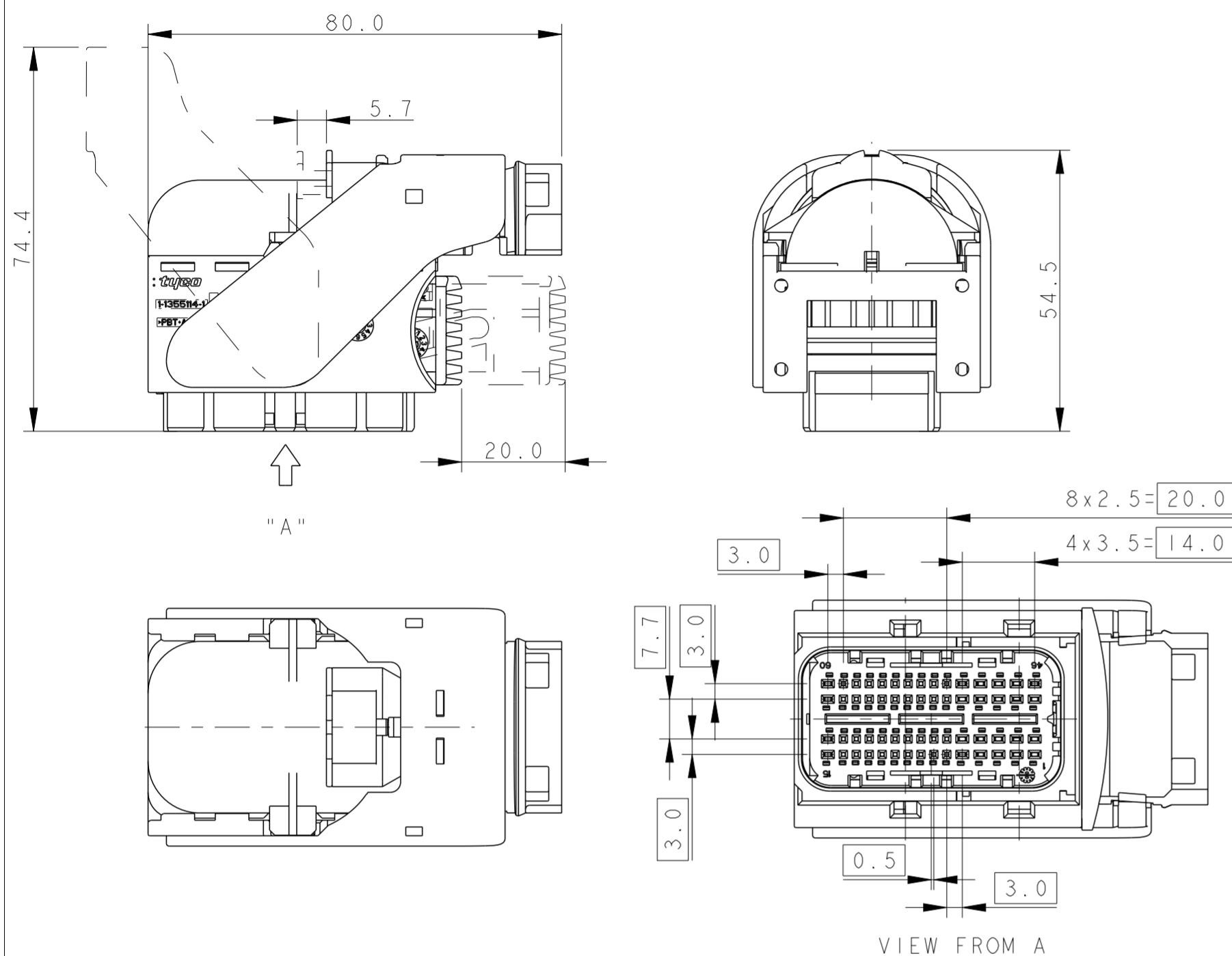


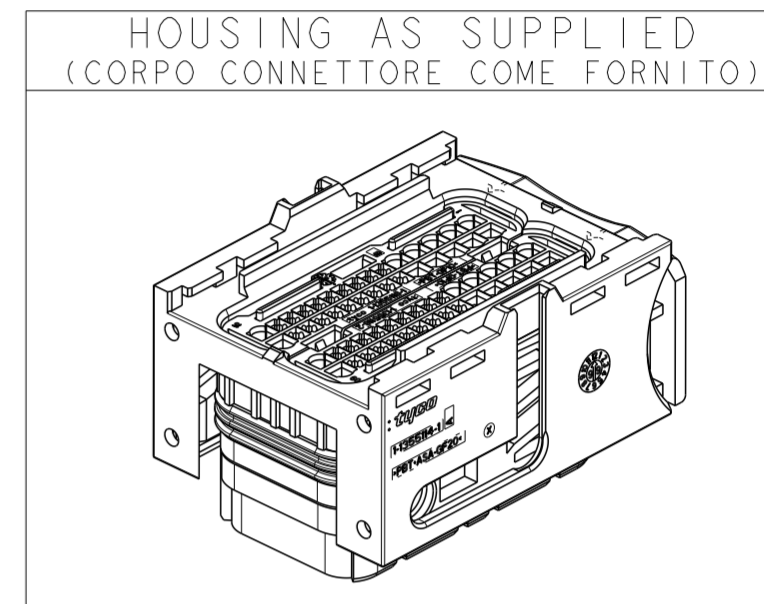
THIS DRAWING IS UNPUBLISHED. QUESTO DISEGNO NON DEVE ESSERE DIVULGATO O RIPRODOTTO. RELEASED FOR PUBLICATION E' CONSENTITA LA DIVULGAZIONE. 2002 ALL RIGHTS RESERVED. TUTTI I DIRITTI SONO RISERVATI.

CONNECTOR OVERALL DIMENSIONS WITH COVER KIT AND LEVER ASSEMBLED (DIMENSIONI DI INGOMBRO CONNETTORE CON KIT COPERCHIO E LEVA MONTATI)



| P | LTR REV | DESCRIPTION DESCRIZIONE | DATE DATA | DWN DIS. | APVD APP. |
|----|---------|---------------------------|-----------|----------|-----------|
| E2 | | REVISED PER ECO-11-005033 | 24MAR2011 | RK | HMR |
| E3 | | ECR-12-016488 | | M.P. | M.G. |

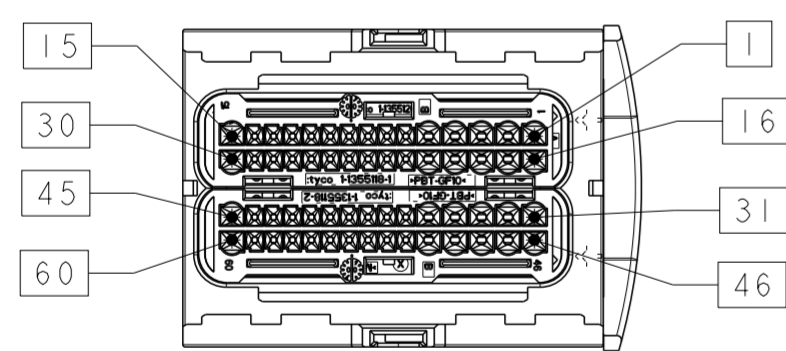
P/N 284742-1 AS SHOWN FIAT VERSION



NOTE:

- CONNECTOR IS SUITABLE TO BE MATED WITH COUNTERPART P/N 284617-1 (IL CONNETTORE SI ACCOPPIA CON LA CONTROPARTE P/N 284617-1)
- CONNECTOR CAVITIES ARE SUITABLE FOR CONTACTS: (LE CAVITA' DEL CONNETTORE SONO ADATTE PER CONTATTI:.)
 - 0.64 MQS Clean Body contact WSR 0.35+0.50 mm² P/N 1703296-1 (FIAT restricted version) (Minimum isolation diameter: 1.2 mm; Maximum isolation diameter: 1.6 mm)
 - 0.64 MQS Clean Body contact WSR 0.35 mm² P/N 968220-1 (Minimum isolation diameter: 1.2 mm; Maximum isolation diameter: 1.3 mm)
 - 0.64 MQS Clean Body contact WSR 0.75 mm² P/N 1703298-1 (FIAT restricted version) (Minimum isolation diameter: 1.7 mm; Maximum isolation diameter: 1.9 mm)
 - 0.64 MQS Clean Body contact WSR 0.50+0.75 mm² P/N 968221-1 (Minimum isolation diameter: 1.4 mm; Maximum isolation diameter: 1.9 mm)
 - 1.5 mm Clean Body contact WSR 0.50 mm² P/N 1452158-1 (Minimum isolation diameter: 1.4 mm; Maximum isolation diameter: 1.6 mm)
 - 1.5 mm Clean Body contact WSR 0.75+1.50 mm² P/N 1241608-1 (Minimum isolation diameter: 1.7 mm; Maximum isolation diameter: 2.4 mm)
- TO CLOSE UNUSED CAVITIES: (PER CHIUDERE LE CAVITA' NON UTILIZZATE)
 - P/N 284583-1 for MQS Clean Body contacts
 - P/N 1394872-1 for 1.5 mm Clean Body contact
- ITEMS 2 AND 3 ARE SUPPLIED NOT ASSEMBLED IN THE SAME PACKAGE. (I PARTICOLARI 2 E 3 SONO FORNITI NON ASSEMBLATI NELLA STESSA CONFEZIONE.)
- ITEMS 4 AND 5 ARE SUPPLIED PRE-ASSEMBLED, IN THE SAME PACKAGE. (I PARTICOLARI 4 E 5 SONO FORNITI PRE-ASSEMBLATI NELLA STESSA CONFEZIONE)
- ITEM 4 IS SUPPLIED NOT ASSEMBLED IN THE SAME PACKAGE. ITEM 5 IS NOT SUPPLIED (L'ITEM 4 E' FORNITO NON ASSEMBLATO NELLA STESSA CONFEZIONE, L'ITEM 5 NON E' FORNITO.)

CONTACT INSERT SIDE VIEW (VISTA LATO INSERIMENTO CONTATTI)



CABLE EXIT USCITA CAVI

CAVITIES POSITIONS (POSIZIONE IN CAVITA')

| CONTACT P/N (P/N CONTATTO) | POSITION (POSIZIONE) |
|----------------------------|--|
| 968220-1 & 968221-1 | 6 to 14; 21 to 29; 36 to 44; 51 to 59 |
| 1452158-1 & 1241608-1 | 1 to 5; 15 to 20; 30 to 35; 45 to 50; 60 |

| QTY. | QTY. | RAW MATERIALS Materiali | COLOURS Colori | REV | DESCRIPTION Descrizione | ITEM Pos. |
|-------------------|-------------------|---|--|-----|---|-----------|
| - | 1 | PA6.6 GF30 | YELLOW | / | C.P.A. Disp. controllo aggancio leva | 5 |
| 1 | 1 | PA6.6 GF13 | BLACK | / | COVER / Coperchio | 4 |
| 1 | 1 | PA6.6 GF30 | BLACK | / | LEVER / leva | 3 |
| 1 | 1 | PA6.6 GF30 | VIOLET | / | SECONDARY LOCK 60 POSN. Disp. Ritenz. secondaria, 60 pos. | 2 |
| 1 | 1 | PA6.6 GF25/PBT+ASA-GF20 PA6.6 GF13 + GF33 SILICON | BLACK/LIGHT BROWN:HOUSING YELLOW:PERIPHERAL SEAL RED-BROWN:FAMILY SEAL | / | CARRIER HSG. / Corpo connettore | 1 |
| 284742-2 (NOTE 6) | 284742-1 (NOTE 5) | PART-NO. Codice | | | | |
| E | E | REV | | | | |

| | | | | |
|---|--|--|---|-----------------|
| THIS DRAWING IS A CONTROLLED DOCUMENT. | | DWN/DIS. 03OCT01 D. BISETTI | TE Connectivity | |
| DIMENSIONS: DIMENSIONI (MM) | | CHK/CONT. 03OCT01 O. CANUTO | | |
| TOLERANCES UNLESS OTHERWISE SPECIFIED: TOLLERANZE: SE NON DIVERSAMENTE SPECIFICATO | | APVD/APP. 03OCT01 A. GENIA | NAME CONNETTOR HOUSING, 60 POS. | |
| 0 PLC/DEC: ±0.3 1 PLC/DEC: ±0.3 2 PLC/DEC: ±0.3 3 PLC/DEC: ± 4 PLC/DEC: ± ANGLES/ANGOLI ±30' | | PRODUCT SPEC SPEC DI PRODOTTO 108-20235 | MQS, 1.5mm Clean Body Contacts + COVER AND C.P.A. KIT | |
| MATERIAL MATERIALE | | APPLICATION SPEC SPEC DI APPLICAZIONE I.S. 411-20067 | SIZE A2 | RESTRICTED TO |
| FINISH FINITURA | | WEIGHT PESO - | CAGE CODE C-284742 | |
| | | CUSTOMER DRAWING | DESIGN PER CLIENTE SOLO PER RIFERIMENTO | SCALE SCALA 1:1 |
| | | | SHEET OF 1 | REV E3 |