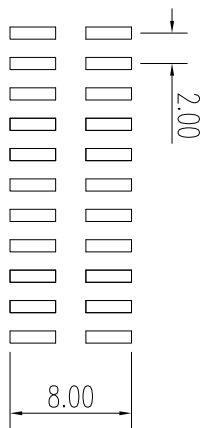
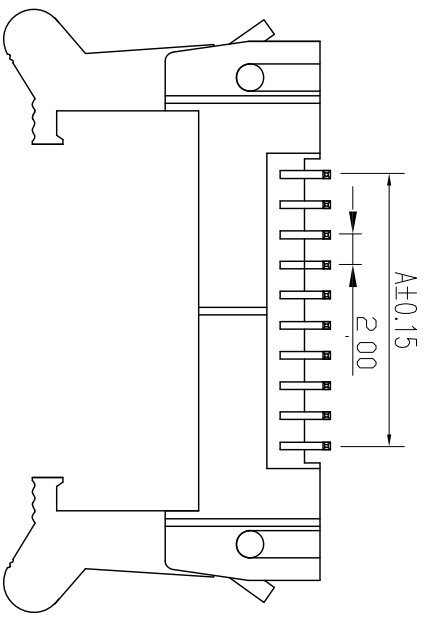
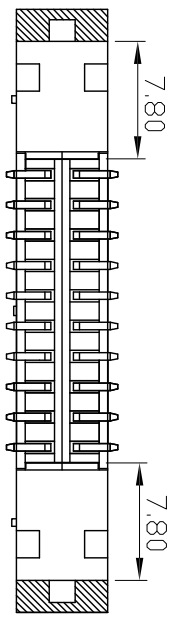
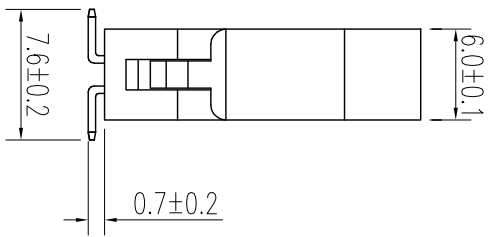
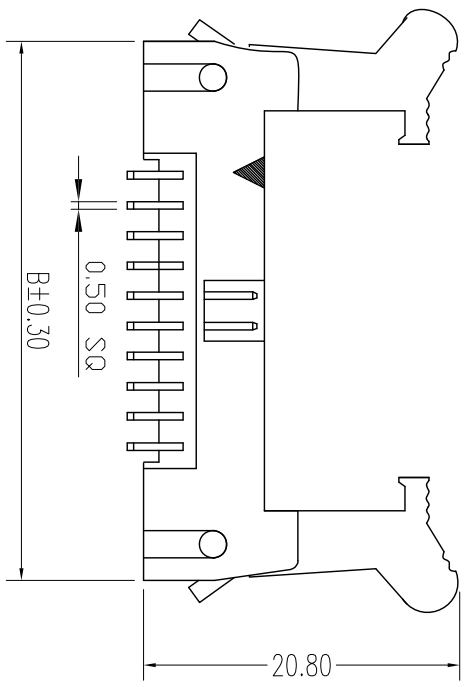


REV.	DESCRIPTION	DATE
A	RELEASE	2012.11.12

NOTES:
 Insulator Material: PBT, UL 94V-0
 Contact Plating: Flash Gold
 Contact Material: Brass

Current Rating : 1A AC,DC
 Contact Resistance: 20MΩ Max.
 Dielectric Withstanding: AC 500V
 Insulator Resistance: 1000MΩ Min.
 Operating Temp.: -40°C~+105°C



NUMBER OF POSITIONS	DIMENSION	
	A	B
06	4.00	21.60
08	6.00	23.60
10	8.00	25.60
14	12.00	29.60
16	14.00	31.60
20	18.00	35.60
24	22.00	39.60
26	24.00	41.60
30	28.00	45.60
34	32.00	49.60
40	38.00	55.60
44	42.00	59.60
50	48.00	65.60
60	58.00	75.60



UNLESS TOLERANCE		ANGLE		DRAW	BY
GENERAL				DESIGN	BY
X	± 0.30	X°	± 3.0°	CHECK	BY
.X	± 0.20	.X°	± 2.0°	APPROVE	BY
.XX	± 0.15	.XX°	± 1.0°		
.XXX	± 0.08	.XXX°	± 0.5°		



SCALE	1:1	SHEET	1/1	UNIT	MM
-------	-----	-------	-----	------	----

Cnc Tech, LLC	
Part No.	3110-XX-003-13-00
Draw No.	
REV:	A