

5

4

3

2

1

mating face according to IEC 60603-7

52,6 maxi

13,97 maxi

11,3

11,8 maxi

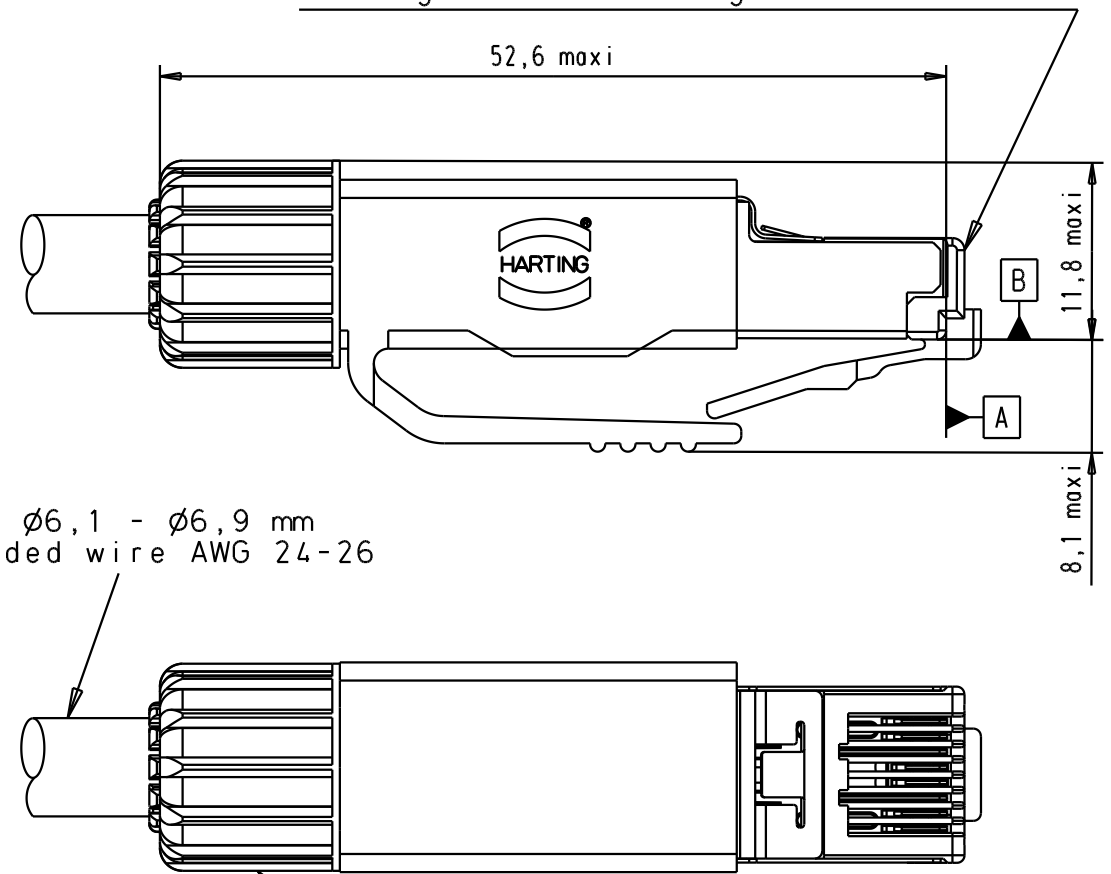
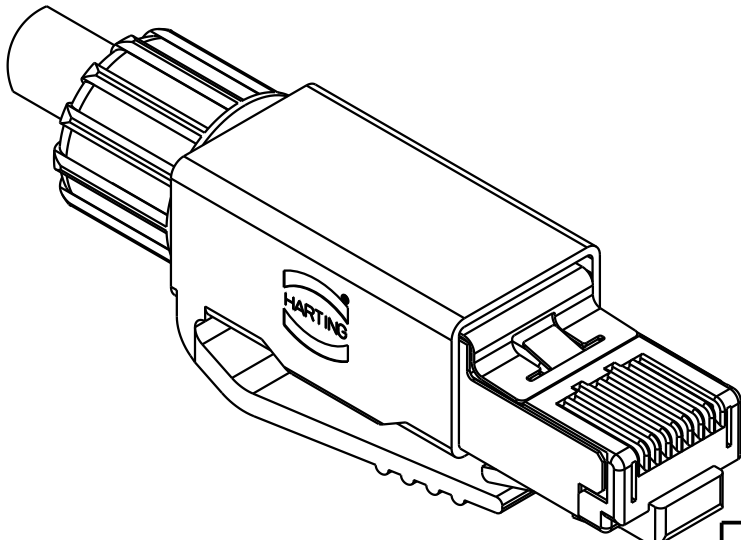
8,1 maxi

contact n° 8

contact n° 1

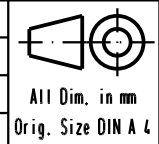
cable $\phi 6,1 - \phi 6,9$ mm
Stranded wire AWG 24-26

Nut M10 x 1 with cable clamping



Data contact plating: Au 1,27 um over nickel

				Dat.	Name
				Detail.	17/05/04 A. Fakhri
				Insp.	
				Stand.	



RJ-Industrial
IP20 Data Plug
Thermoplastic shielded
with 8 data contacts

Maßstab/
Scale
2:1

09 45 151 15 10	Data connector with Blue wires manager
09 45 151 15 00	Data connector with White wires manager

31904	17/05/04	AF
Mod.	Dat.	Name

HARTING E.U.R.L
F-95972 Paris



TB 09 45 151 15x0

Blatt/ Page
1 / 1

Sub.