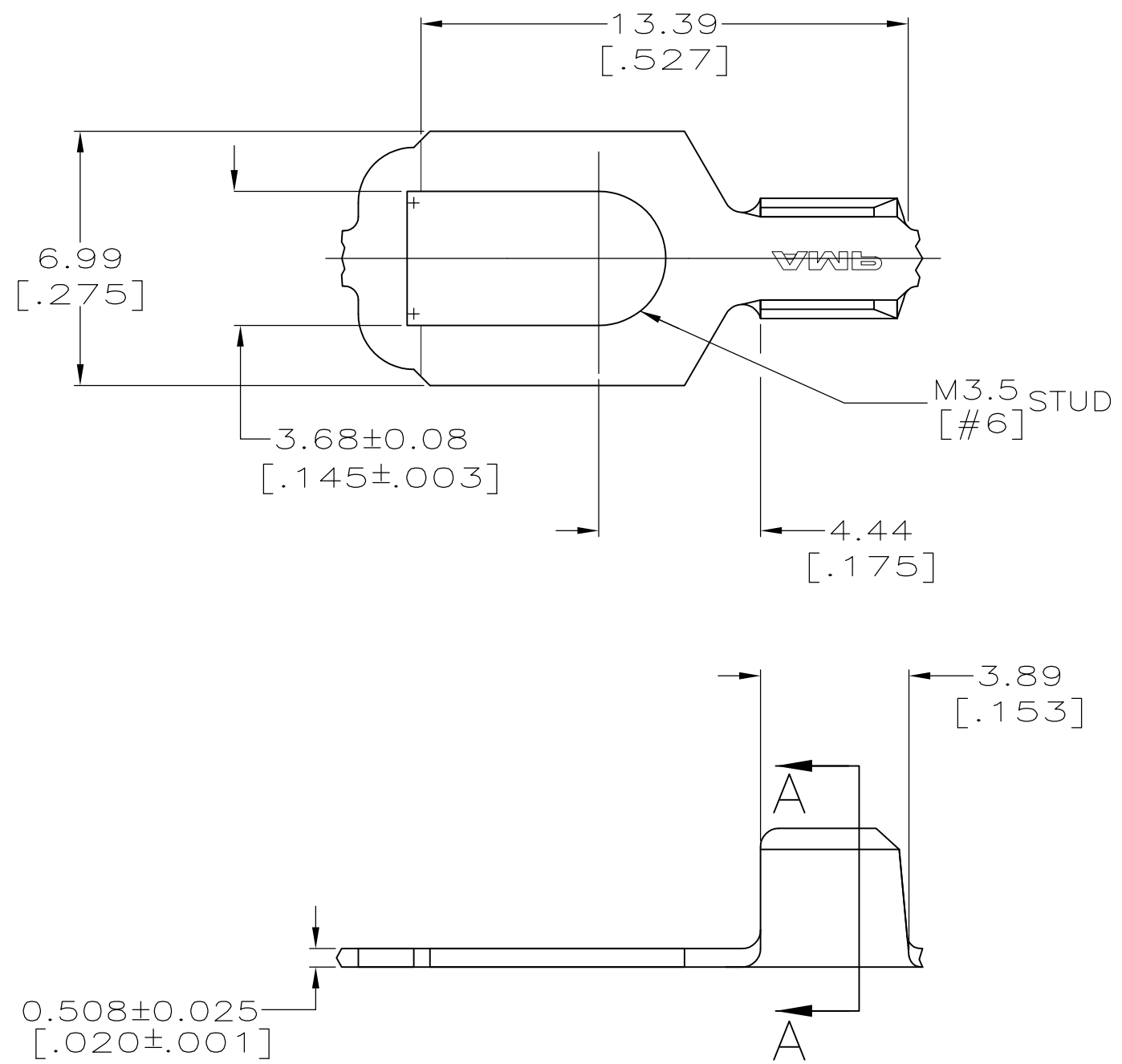


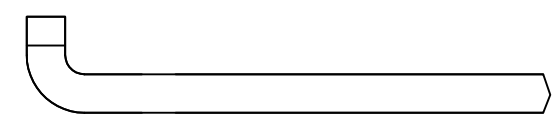
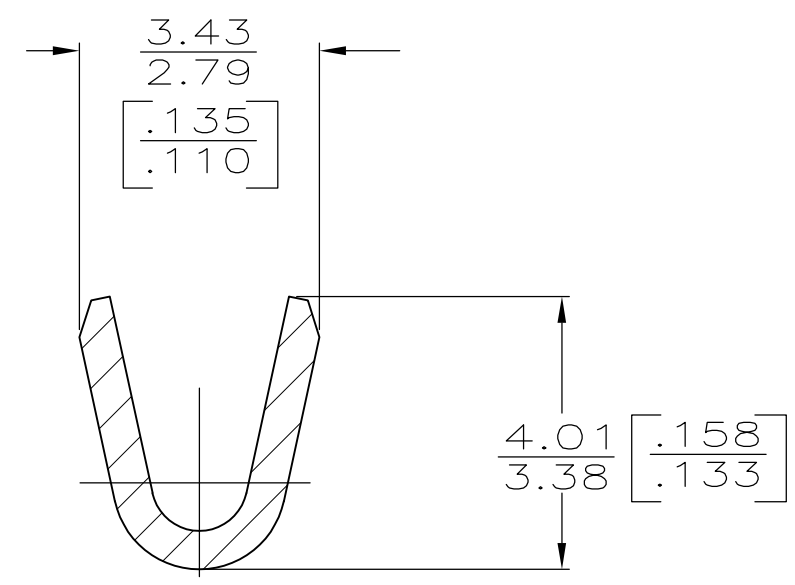
THIS DRAWING IS UNPUBLISHED. RELEASED FOR PUBLICATION
 © COPYRIGHT BY TYCO ELECTRONICS CORPORATION. ALL INTERNATIONAL RIGHTS RESERVED.

LOC	DIST	REVISIONS					
AF	50	P	LTR	DESCRIPTION	DATE	DWN	APVD
			H	REVISED PER ECR-10-006099	07JUL10	HMR	PD



1. CONTINUOUS STRIP ON REEL.

△ 3 SUFFIX LETTER MUST BE USED ONLY WHEN ORDERING APPLICATOR TOOLING.



BENT IN APPLICATOR

[20-16] AWG	△ 3 42318-2A
WIRE RANGE	PART NO

THIS DRAWING IS A CONTROLLED DOCUMENT.		DWN 30/AUG/95 PHILLIP M FORTNEY	Tyco Electronics Corporation Harrisburg, PA 17105-3608	
DIMENSIONS: mm [INCHES]	TOLERANCES UNLESS OTHERWISE SPECIFIED:	CHK 30/AUG/95 MICHAEL FEHER	NAME	
	0 PLC ± -	APVD 30/AUG/95 GARY YETTER	SPADE, FLANGED	
	1 PLC ± -	PRODUCT SPEC	-	
	2 PLC ± 0.25[.010]	APPLICATION SPEC	-	
	3 PLC ± -	WEIGHT	-	
MATERIAL	FINISH	SIZE	CAGE CODE	DRAWING NO
082 BRASS	TIN	A3	00779	C-42318
CUSTOMER DRAWING			SCALE	SHEET
			6:1	1 OF 1
			REV	H