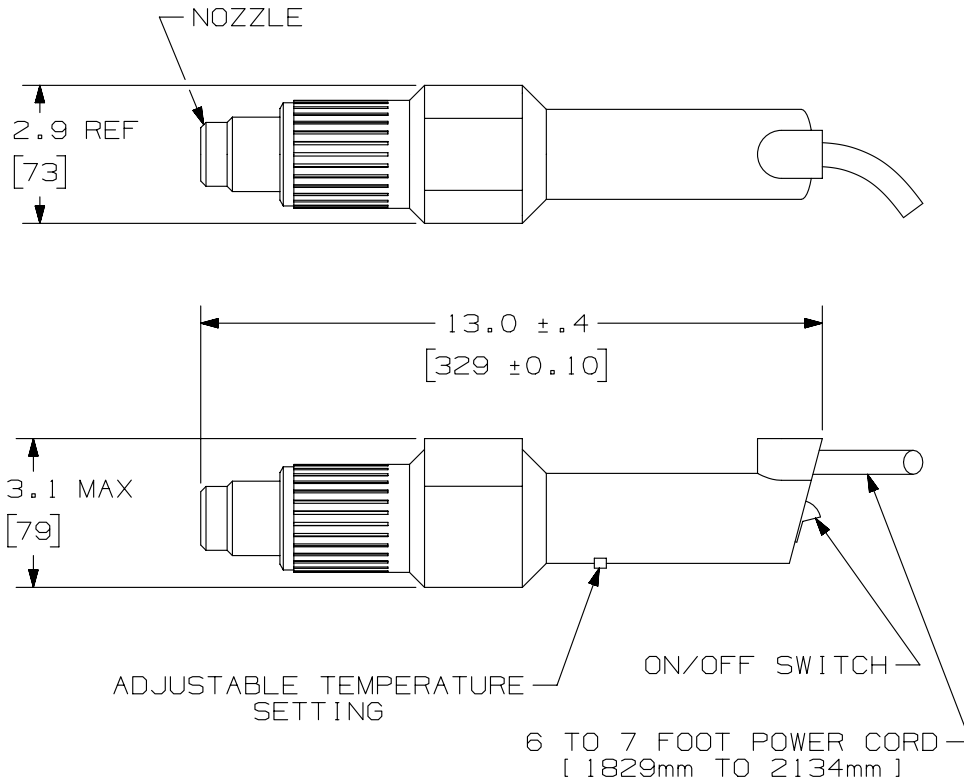
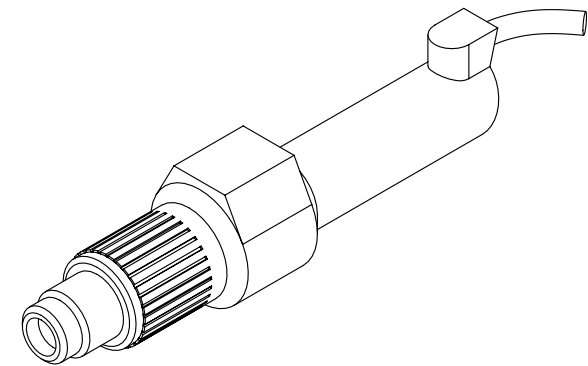


THIS COPY IS PROVIDED ON A RESTRICTED BASIS AND IS NOT TO BE USED IN ANY WAY DETRIMENTAL TO THE INTERESTS OF PANDUIT CORP.

| PANDUIT PART NUMBER | WEIGHT | OPERATING SPECIFICATIONS | ADJUSTABLE OPERATING TEMPERATURE | AGENCY APPROVAL | PLUG CONFIGURATION |
|---------------------|---------------------------------|--------------------------------|----------------------------------|------------------|--------------------|
| FHSCT | 1.36 lbs EACH [620.0 G EACH] | 120 VAC/60 Hz 1500 W 12.5 A | 200° F to 1050° F | UL/CSA | |
| FHSCT-W | | 230 VAC/50 Hz 2000 W 8.7 A | 100° C to 600° C | VDE/GS/CE EMV | |



- NOTES:
- SEE CURRENT CATALOG FOR ADDITIONAL PART NUMBER SUFFIXES TO INDICATE PACKAGE QUANTITIES.
 - ALL DIMENSIONS IN [] ARE METRIC.



| | | | |
|---|----------|-------------------------|-------|
| PART NUMBER | | FHSCT, FHSCT-W | |
| TITLE | | HEAT SHRINK CURING TOOL | |
| | | CUSTOMER DRAWING | |
| ITEM REVISION NAME | | M01190BX/02 | |
| DATASET FILE NAME | | M01190BX_DC/00B | |
| UNLESS OTHERWISE SPECIFIED, DIMENSIONAL TOLERANCES ARE: IN [mm] | | MATERIAL: | |
| .x ± .xxx ± .010 [.3] | | | |
| .xx ± .03 [.8] ANGLES ± | | DRAWING NUMBER: | |
| THIRD ANGLE PROJECTION | | 01190-22 | |
| DRAWN BY | DATE | CHK | SCALE |
| EFK | 10-10-03 | RTFI | NONE |
| SHT 1 OF 1 | | A | |

| REV | DATE | BY | CHK | APR | DESCRIPTION | ECN |
|-----|--------|-----|-----|-----|---------------------------------|----------|
| 2 | 2/6/15 | JSP | WJM | RWB | A. REVISED DRAWING TITLE BLOCK. | 01190-22 |

D101000DA/14