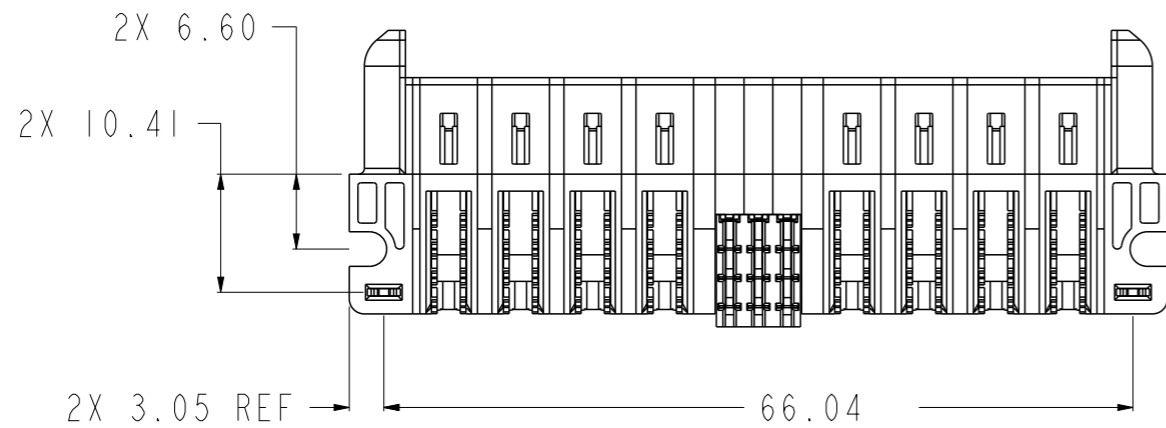
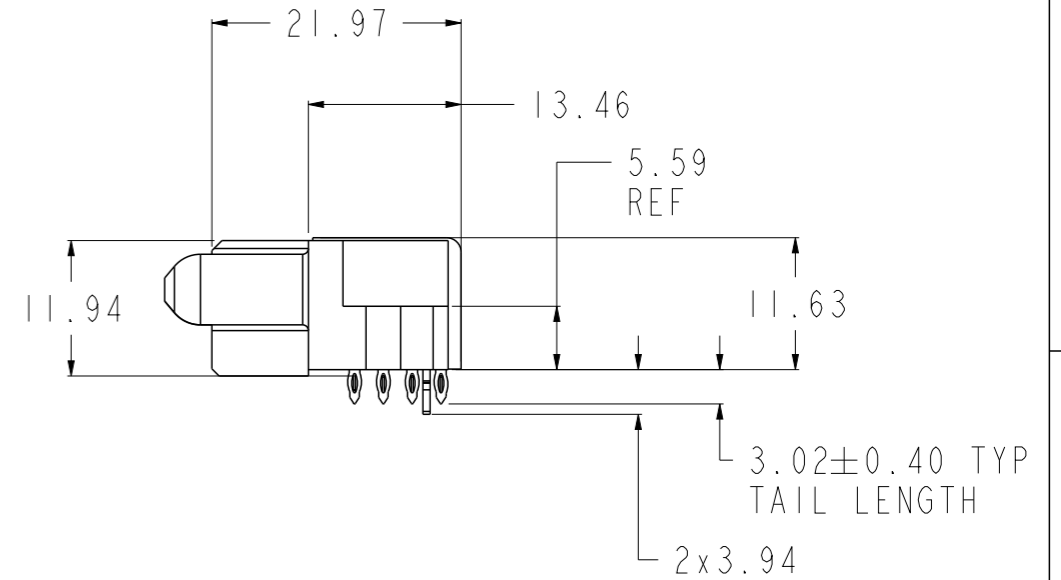
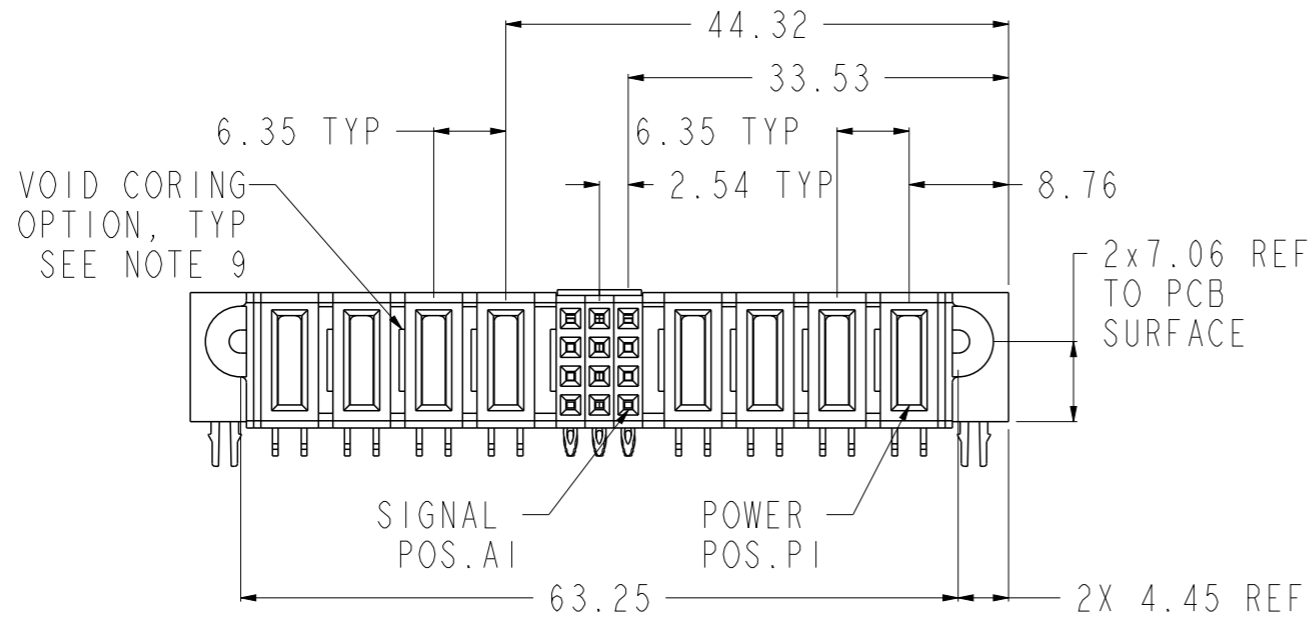
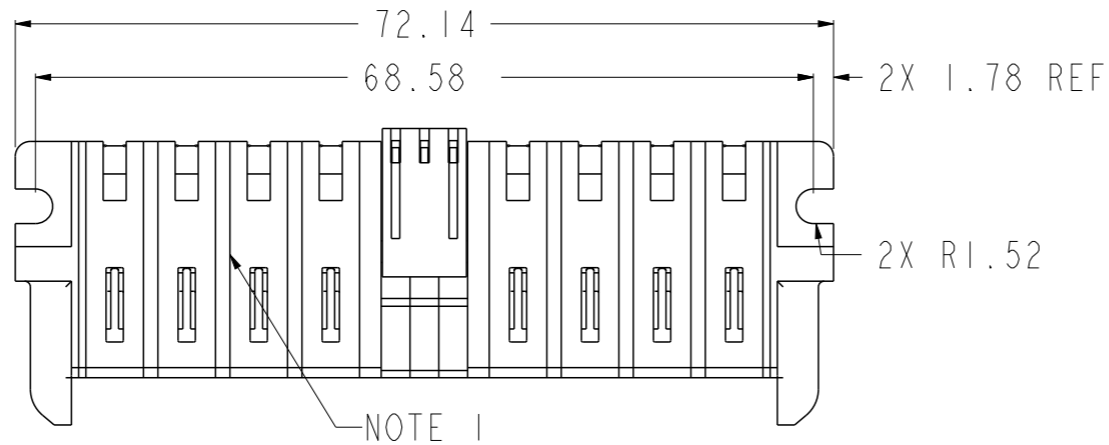


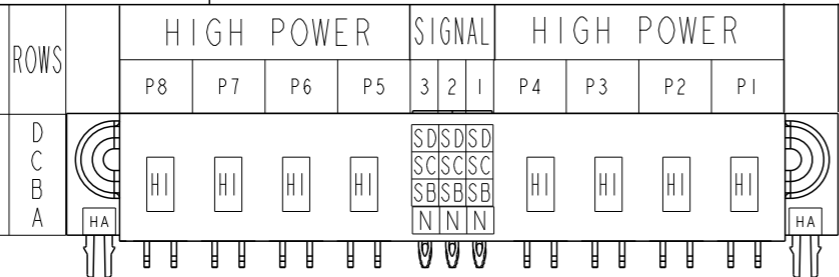
PART NUMBER 10106127-8003002LF



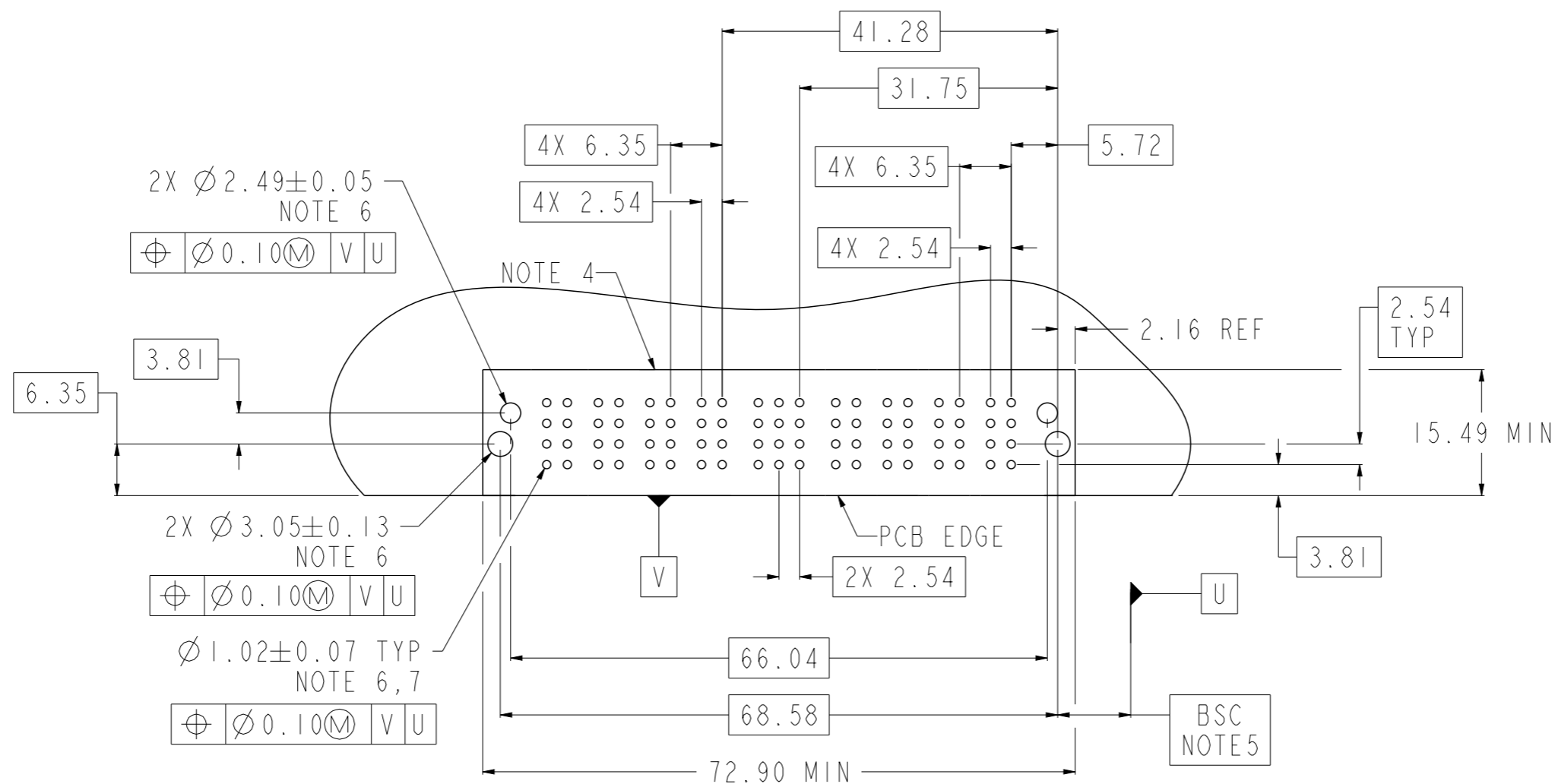
spec ref	*	dr	Peng-Bing Fu	2012/03/09	projection	MM	size	A3	scale	1.414	
tolerance std	ISO 406 ISO 1101	eng	Rainbow Zhan	2016/11/02			ecn no	ELX-DG-25114-2			
TOLERANCES UNLESS OTHERWISE SPECIFIED		chr	-	-			rel level	Released			
surface	linear	appr	Pei-Ming Zheng	2016/11/02	product family	-	dwg no	10106127-8003002		rev	C
ISO 1302	angular	Amphenol FCI 4HP + 12S + 4HP RA RECEPTACLE PRESS-FIT		cat. no.	-	Product - Customer Drw	sheet 1 of 3				
0.X	±0.50										
0.XX	±0.25										
0.XXX	±0.10										
0°	±2°										

PRODUCT NUMBER

10106127-8003002LF



CODE	DESCRIPTION
HI	FMLB HIGH POWER CONTACT
N	STD SIGNAL CONTACT, ROW A
SB	STD SIGNAL CONTACT, ROW B
SC	STD SIGNAL CONTACT, ROW C
SD	STD SIGNAL CONTACT, ROW D
HA	METAL HOLD DOWN



Amphenol
FCi

© 2016 AFci

spec ref	*	dr	Peng-Bing Fu	2012/03/09	projection	MM	size	A3	scale	1.414
tolerance std	ISO 406 ISO 1101	eng	Rainbow Zhan	2016/11/02			ecn no	ELX-DG-25114-2		
surface	linear	chr	-	apppr			Pei-Ming Zheng	2016/11/02	product family	-
	angular	0°	±2°	Amphenol FCi		4HP + 12S + 4HP RA RECEPTACLE PRESS-FIT		dwg no 10106127-8003002	rev C	
ISO 1302		cat. no.	-	Product - Customer Drw		sheet 2 of 3				

NOTES:

- 1) PRODUCT MARK:
PART NUMBER AND DATE CODE TO BE MARKED ON THIS SURFACE .
THE MARK CAN BE OMITTED IF THERE IS NOT ENOUGH SPACE ON THIS SURFACE.
- 2) MATERIALS:
-HOUSING : HIGH TEMP THERMOPLASTIC WITH GLASS FIBER, UL94V-0, BLACK.
-POWER CONTACT : HIGH CONDUCTIVITY COPPER ALLOY.
-SIGNAL CONTACT : COPPER ALLOY.
- 3) PLATING SPECIFICATION : 10116351
- 4) DENOTES CONNECTOR KEEP OUT ZONE.
- 5) DATUM AND BASIC DIMENSIONS ARE ESTABLISHED BY CUSTOMER.
- 6) ALL HOLE DIAMETERS ARE FINISHED HOLE SIZES.
- 7) 1.15+/-0.025MM DRILLED HOLE PLATED WITH 0.00762MM MIN SN
OVER 0.0254-0.0762MM CU PLATING TO ACHIEVE A 1.02+/-0.07MM HOLE.
- 8) THIS PRODUCT MEETS EUROPEAN UNION DIRECTIVES AND OTHER COUNTRY
REGULATIONS AS DESCRIBED IN GS-47-0004.
- 9) THE VOID CORING IN BETWEEN POWER MODULES, SIGNAL MODULES AND
END MODULES ARE OPTIONAL AND THE SHAPE MAY BE DIFFERENT FOR
OPTIMIZE THE MOLDING PROCESS. THE VOID CORING WILL NOT EFFECT
TO PRODUCT FUNCTION.
- 10) PRODUCT SPECIFICATION : GS-12-658.
APPLICATION SPECIFICATION : GS-20-141.
PRODUCT PACKAGE SPECIFICATION: GS-14-1502.

Amphenol
FCi

© 2016 AFCI

spec ref *		dr	Peng-Bing Fu	2012/03/09	projection	MM	size	A3	scale	1.000	
tolerance std		eng	Rainbow Zhan	2016/11/02		← →	ecn no		ELX-DG-25114-2		
ISO 406 ISO 1101		chr	-	-			rel level		Released		
surface	linear	0.X	±0.50	Amphenol FCi	4HP + 12S + 4HP RA RECEPTACLE PRESS-FIT		dwg no		10106127-8003002		rev
		0.XX	±0.25								
	0.XXX	±0.10									
ISO 1302	angular	0°	±2°	cat. no.	-	Product - Customer Drw		sheet 3 of 3			