

NOTES:  
 1.MATERIAL:  
 PLASTIC HOUSING: POLYAMIDE, GLASS FIBER FILLED,UL94V-0,COLOR:BLACK  
 SHIELD: BRASS  
 BACK SHIELD: BRASS  
 CONTACTS: PHOSPHOR BRONZE  
 LED: DIFFUSED EPOXY LENS,CARBON STEEL LEAD FRAME  
 2.PLATING:  
 SHIELD:SOLDER TAIL:TIN(Sn),THICKNESS=100 MICROINCH MINIMUM  
 UNDER PLATE:NICKEL(Ni) PLATED (SOLDERING AVAILABLE) OVERALL.  
 TERMINAL:CONTACT AREA:GOLD(Au),THICKNESS=50 MICROINCH/1.27 MICROMETER  
 SOLDER TAIL:TIN(Sn),THICKNESS=100 MICROINCH MINIMUM  
 UNDER PLATE:NICKEL(Ni) PLATED OVERALL.  
 LED:TIN/SILVER/NICKEL/COPPER PLATING  
 3.MAGNETICS:  
 IMPEDANCE:100 OHMS  
 TRANSMIT OPEN CIRCUIT INDUCTANCE (OCL):350uH (MIN)@ 100KHZ,0.1 VRMS WITH 8 mA DC BIAS  
 TURNS RATIO (CHIP:CABLE):TX:1,RX:1:1  
 PERFORMANCE:  
 TRANSMIT BIDIRECTIONAL J3 AND J6  
 RECIEVE BIDIRECTIONAL J1 AND J2

LED ELECTRICAL SPECIFICATION

PARAMETER	YELLOW (TYP.)	GREEN (TYP.)	UNITS	TEST CONDITIONS
POWER DISSIPATION	100	100	mW	
REVERSE VOLTAGE	5	5	V	
PEAK WAVELENGTH	585	565	nm	IF=20mA
FORWARD VOLTAGE	2.1 MAX.=2.5	2.1 MAX.=2.5	V	IF=20mA

FREQUENCY	INSERTION LOSS	RETURN LOSS	CROSSTALK ATTENUATION	COMMON MADEREJECTION RATIO	
				TX	RX
1.0MHZ-15.0MHZ	0.3dB(MAX)	18.0dB(MIN)	35.0dB(MIN)	46.0dB(MIN)	35.0dB(MIN)
15.1MHZ-60.0MHZ	0.6dB(MAX)	16.0dB(MIN)	26.0dB(MIN)	46.0dB(MIN)	35.0dB(MIN)
60.1MHZ-80.0MHZ	1.1dB(MAX)	15.0dB(MIN)	24.0dB(MIN)	42.0dB(MIN)	33.0dB(MIN)
80.1MHZ-100.0MHZ	1.1dB(MAX)	12.0dB(MIN)	24.0dB(MIN)	42.0dB(MIN)	33.0dB(MIN)

DIELECTRIC (ISOLATION VOLTAGE):  
 2250 VDC (1mA CUTOFF CURRENT) FOR 60 SECONDS DURATION  
 WITH DECOUPLING CAP  
 ALL BRIDGED ON EITHER SIDE OF MAGNETICS PACKAGE FOR  
 RJ-45 CONTACT  
 4.RECOMMENDED PCB THICKNESS 2.00mm(.079")  
 5.SUGGESTED OPERATING CURRENT FOR THE LED IS 20mA  
 6.PRODUCT SPECIFICATION REFER TO PS-48033-002  
 7.TEST SUMMARY REFER TO TS-48033-004  
 8.PACKAGING SPECIFICATION REFER TO PK-48033-004  
 9.LEAD FREE AND RoHS COMPLIANT PRODUCT

ROHS FOR 48033-2000  
 EC NO: SH2007-0131  
 DRWN:ALLIN 2006/10/04  
 CHKD: 2006/10/04  
 APPR:WMSCHANG 2006/10/04

QUALITY SYMBOLS  
 ▽=0  
 ▽=0

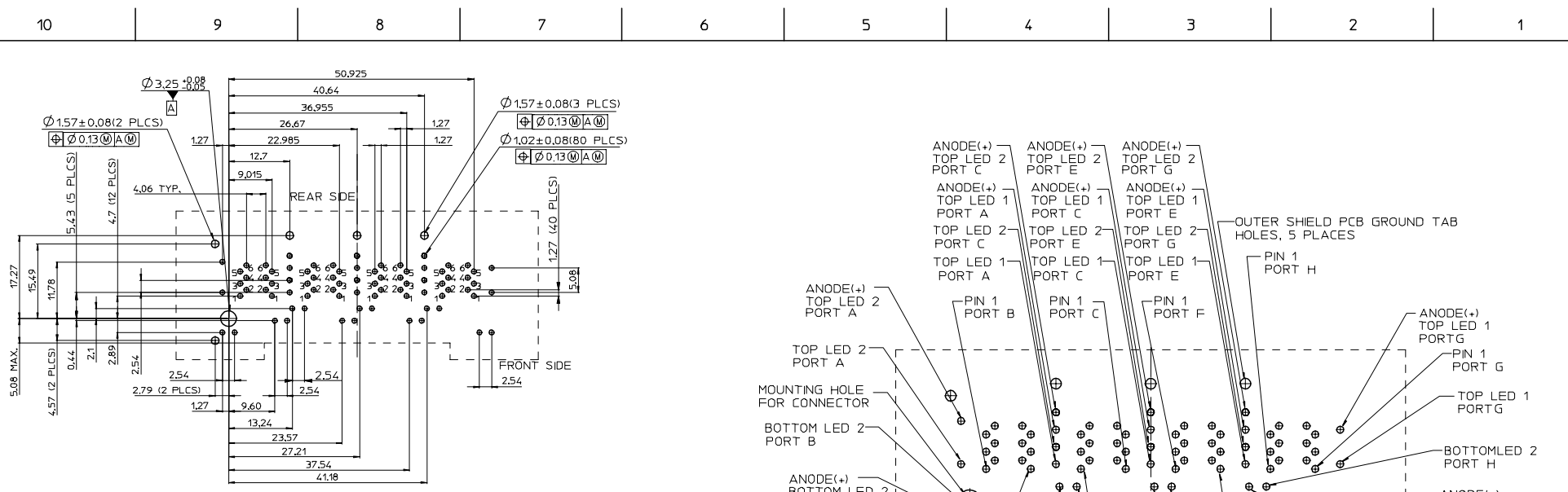
GENERAL TOLERANCES (UNLESS SPECIFIED)  

	mm	INCH
4 PLACES	± ---	± ---
3 PLACES	± ---	± ---
2 PLACES	± 0.25	± ---
1 PLACE	± 0.25	± ---

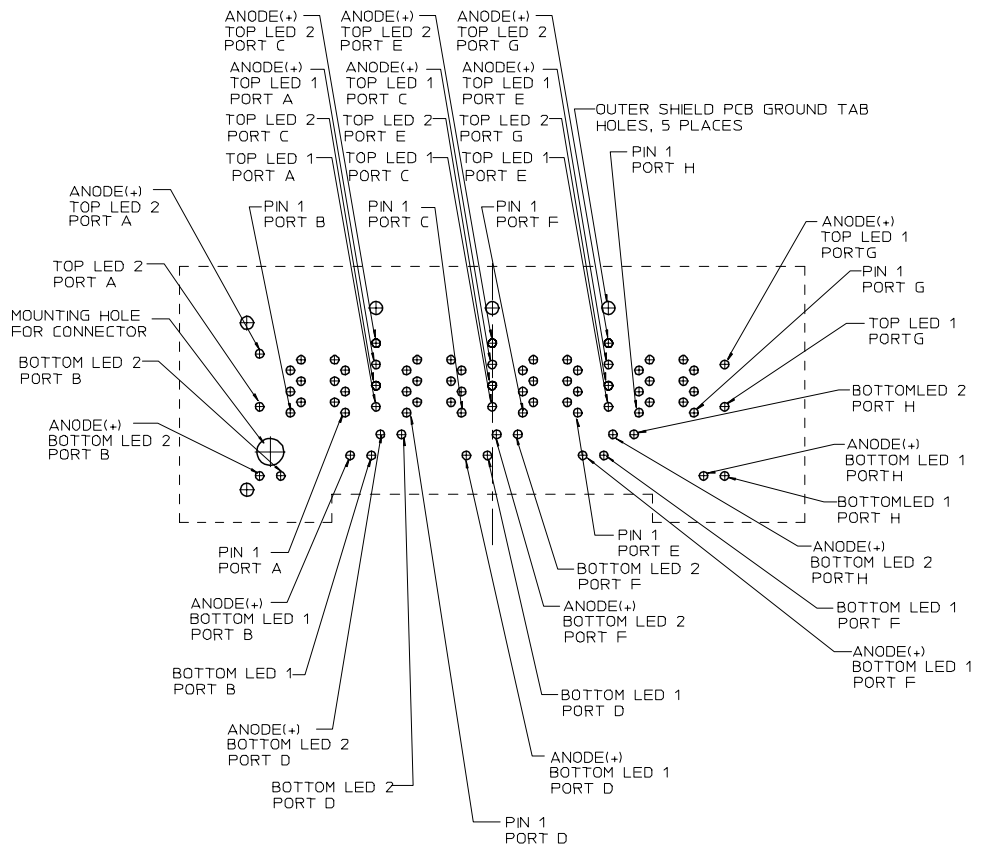
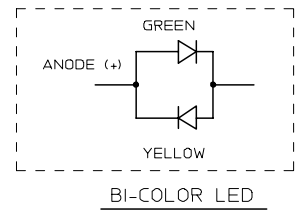
 ANGULAR ± 3 °  
 DRAFT WHERE APPLICABLE  
 MUST REMAIN WITHIN DIMENSIONS

DIMENSION STYLE  
 MM ONLY  
 DRAWN BY DATE  
 LINDA 2006/08/08  
 CHECKED BY DATE  
 ALLEN LIN 2006/08/10  
 APPROVED BY DATE  
 ERICK LAN 2006/08/10  
 MATERIAL NO.  
 48033-2900

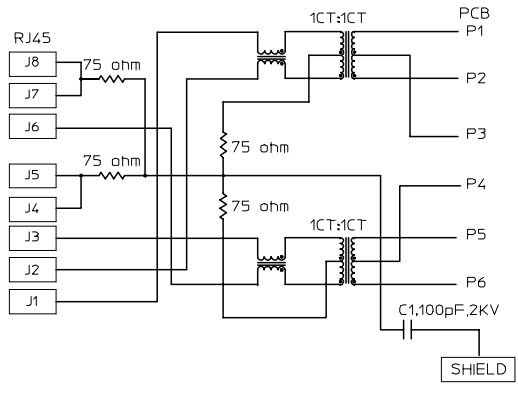
SCALE DESIGN UNITS METRIC  
 THIRD ANGLE PROJECTION  
 TITLE  
 MODULAR JACK STACKED 2X4  
 RA, 10/100 ETHERNET  
 W/ LEDS, MAGNETICS  
 MOLEX INCORPORATED  
 DOCUMENT NO.  
 SD-48033-004  
 SHEET NO.  
 1 OF 2  
 THIS DRAWING CONTAINS INFORMATION THAT IS PROPRIETARY TO MOLEX INCORPORATED AND SHOULD NOT BE USED WITHOUT WRITTEN PERMISSION



RECOMMENDED PC BOARD LAYOUT  
(VIEWED FRONT COMPONENT SIDE)



RECOMMENDED LED HOLE DESIGNATIONS  
( VIEWED FROM COMPONENT SIDE )



MAGNETIC SCHEMATIC

SEE SHEET 1 EC NO: SH2007-0131 DRWN: ALLIN CHKD: APPR: WMSCHANG 2006/10/04 2006/10/04 2006/10/04	QUALITY SYMBOLS ▽=0 ▽=0	GENERAL TOLERANCES (UNLESS SPECIFIED) <table border="1"> <thead> <tr> <th></th> <th>mm</th> <th>INCH</th> </tr> </thead> <tbody> <tr> <td>4 PLACES</td> <td>± ---</td> <td>± ---</td> </tr> <tr> <td>3 PLACES</td> <td>± ---</td> <td>± ---</td> </tr> <tr> <td>2 PLACES</td> <td>± 0.25</td> <td>± ---</td> </tr> <tr> <td>1 PLACE</td> <td>± 0.25</td> <td>± ---</td> </tr> </tbody> </table>		mm	INCH	4 PLACES	± ---	± ---	3 PLACES	± ---	± ---	2 PLACES	± 0.25	± ---	1 PLACE	± 0.25	± ---	DIMENSION STYLE MM ONLY	SCALE 1:1	DESIGN UNITS METRIC	THIRD ANGLE PROJECTION
		mm	INCH																		
	4 PLACES	± ---	± ---																		
	3 PLACES	± ---	± ---																		
2 PLACES	± 0.25	± ---																			
1 PLACE	± 0.25	± ---																			
DRAWN BY LINDA	DATE 2006/08/08	TITLE MODULAR JACK STACKED 2X4 RA, 10/100 ETHERNET W/ LEDS, MAGNETICS																			
CHECKED BY ALLEN LIN	DATE 2006/08/10	MOLEX INCORPORATED																			
APPROVED BY ERICK LAN	DATE 2006/08/10	MATERIAL NO. 48033-2900	DOCUMENT NO. SD-48033-004	SHEET NO. 2 OF 2																	

DRAFT WHERE APPLICABLE  
MUST REMAIN  
WITHIN DIMENSIONS

THIS DRAWING CONTAINS INFORMATION THAT IS PROPRIETARY TO MOLEX INCORPORATED AND SHOULD NOT BE USED WITHOUT WRITTEN PERMISSION