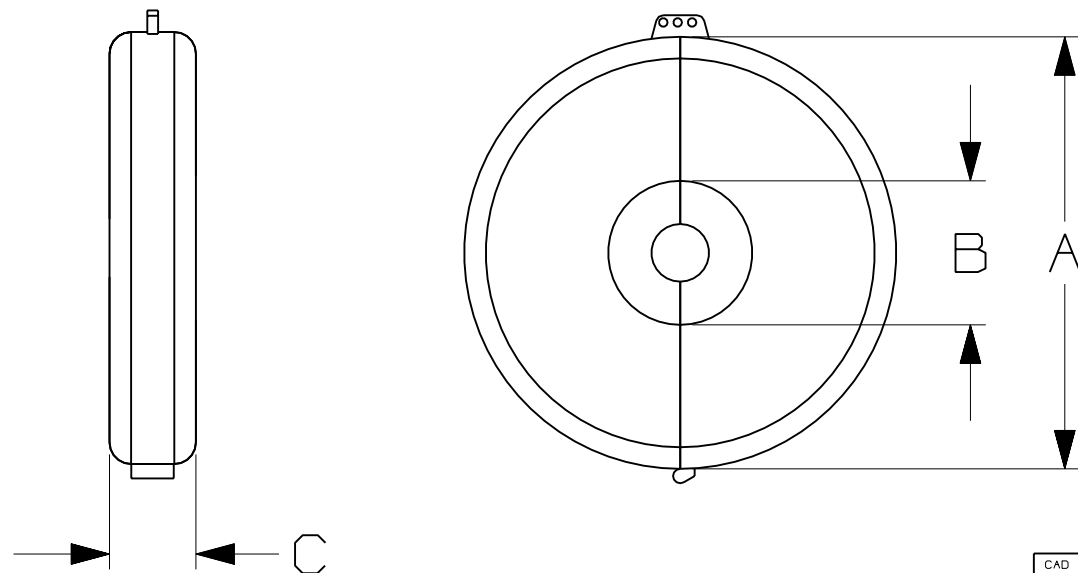
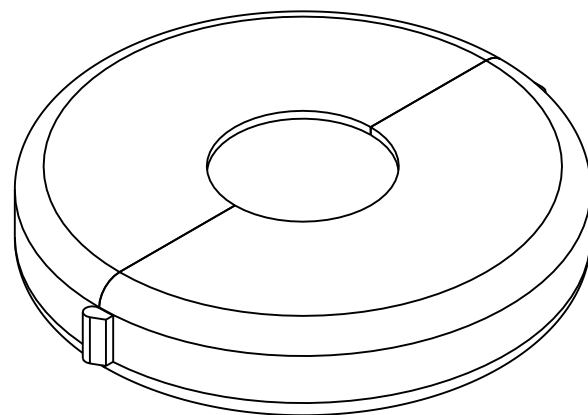


PART NUMBER	COLOR	VALVE HANDLE SIZE in. (mm)	DIM. "A" in. (mm)	DIM "B" in. (mm)	DIM "C" in. (mm)	STANDARD PKG.
PSL-V2BLU	BLUE	1.0-3.0 (25 to 76)	3.5 (88.9)	.75 (19.05)	1.25 (31.8)	1
PSL-V2GRN	GREEN	1.0-3.0 (25 to 76)	3.5 (88.9)	.75 (19.05)	1.25 (31.8)	1
PSL-V2YEL	YELLOW	1.0-3.0 (25 to 76)	3.5 (88.9)	.75 (19.05)	1.25 (31.8)	1
PSL-V6BLU	BLUE	3.0-6.5 (76 to 165)	7.0 (177.8)	2.0 (50.8)	1.75 (44.45)	1
PSL-V6GRN	GREEN	3.0-6.5 (76 to 165)	7.0 (177.8)	2.0 (50.8)	1.75 (44.45)	1
PSL-V6YEL	YELLOW	3.0-6.5 (76 to 165)	7.0 (177.8)	2.0 (50.8)	1.75 (44.45)	1
PSL-V9	RED	6.5-10.0 (165 to 254)	10.5 (266.7)	3.5 (88.9)	2.25 (57.15)	1
PSL-V9YEL	YELLOW	6.5-10.0 (165 to 254)	10.5 (266.7)	3.5 (88.9)	2.25 (57.15)	1
PSL-V13	RED	10.0-13.0 (254 to 330)	14.5 (368.3)	4.0 (101.6)	2.75 (69.85)	1
PSL-V13YEL	YELLOW	10.0-13.0 (254 to 330)	14.5 (368.3)	4.0 (101.6)	2.75 (69.85)	1
PSL-V2A	RED	1.0-2.5 (25 to 63.5)	3.5 (89.0)	.75 (19.05)	1.25 (31.8)	1
PSL-V6A	RED	2.5-6.5 (63.5 to 165)	7.0 (177.8)	2.0 (50.8)	1.75 (44.45)	1

3



SIMILAR TO C10401

NOTES:
 1. MILLIMETERS SHOWN IN ().
 2. COLOR REQUIREMENT.

REV	DATE	BY	CHK	DESCRIPTION	ECN	R	CUST	SUP
3	3-29-06	RVU		PSL-V2A: 1-2.5 WAS 1-3. PSL-V6A: 2.5-6.5 WAS 3.0-6.5.	4429	R		
2	1-24-06	RVU		ADDED PANTONE COLOR #.	4335	R		
1	9-8-05	RVU	DWY	PART NO.'S PSL-V2, PSL-V4, AND PSL-V6 OBSOLETE. ADDED PART NO.'S PSL-V2A AND PSL-V6A.	4168	R		
R	9-9-03	RVU	DWY	DRAWING RELEASE	3399	R		

CAD FILENAME/LAYERS 100619X1_C10094_PSL-V_00.prt

PANDUIT CORP TINLEY PARK, ILLINOIS

PSL-V*** GATE VALVE LOCKOUTS

UNLESS OTHERWISE SPECIFIED,
 DIMENSIONAL TOLERANCES ARE:
 (.X) ± .032 (.XXX) ± .010
 (.XX) ± .015 ANGLES ±

UNLESS OTHERWISE SPECIFIED,
 ALL DIMENSIONS ARE GIVEN IN
 INCHES, THIRD ANGLE PROJECTION

DRAWN BY RVU

MAT'L:

SCALE NTS

DATE 9-9-03

POLYPROPYLENE, RED
 PANTONE PMS 186

DRAWING NO.

C10094

DWG

B

SIZE