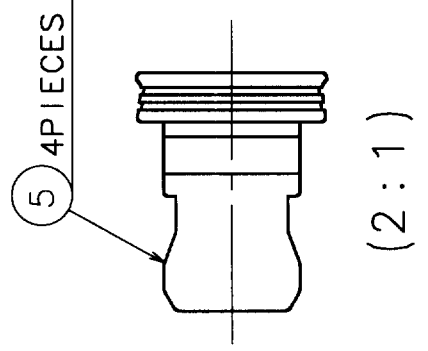
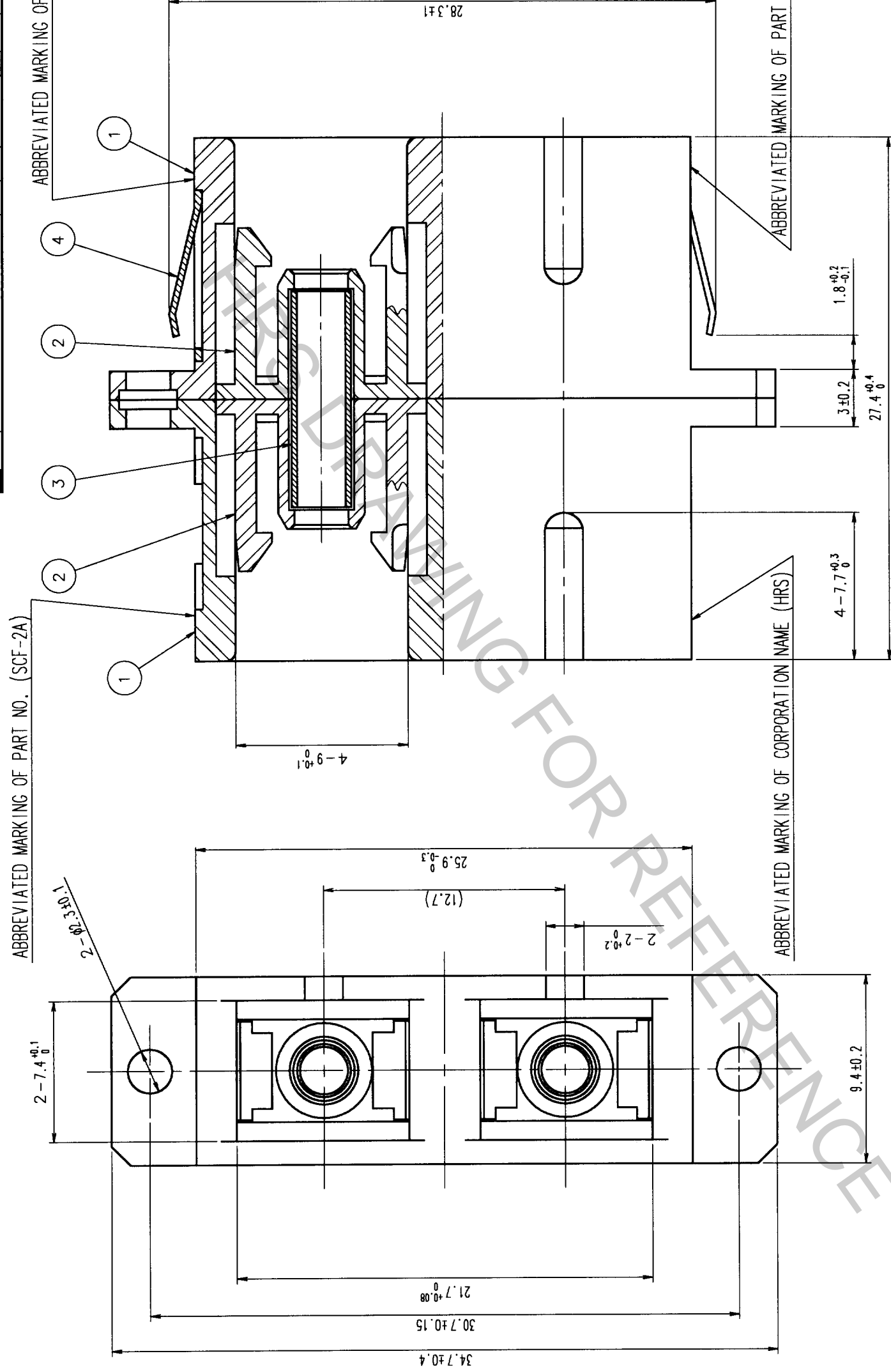


NOTE 1. Delivered with cap installed.



ABBREVIATED MARKING OF PART NO. (SCF-2A)

ABBREVIATED MARKING OF CORPORATION NAME (HRS)

ABBREVIATED MARKING OF PART NO. (SCF-2A)

ABBREVIATED MARKING OF CORPORATION NAME (HRS)

COUNT	DESCRIPTION OF REVISIONS	BY	DATE	COUNT	DESCRIPTION OF REVISIONS	BY	DATE
△				△			
△				△			
△				△			

NO.	MATERIAL	FINISH	REMARKS	NO.	MATERIAL	FINISH	REMARKS
3	ZIRCONIA			5	SYNTHETIC RESIN	BLACK	
2	SYNTHETIC RESIN	BLUE		4	STAINLESS STEEL		
1	SYNTHETIC RESIN	GREEN					

CODE NO. (OLD)	DRAWN	DESIGNED	CHECKED	APPROVED	RELEASED
	T. Ito	F. Yoshida	R. Owing	F. Nagai	
	01.02.05	01.02.05	01.2.8	01.2.8	

DRAWING NO.	PART NO.
EDC3-173391-01	HSCF-2A-D2(P) (06)

SCALE	UNITS	CODE NO.
4 : 1	mm	CL704-2112-8-06

TO	
----	--