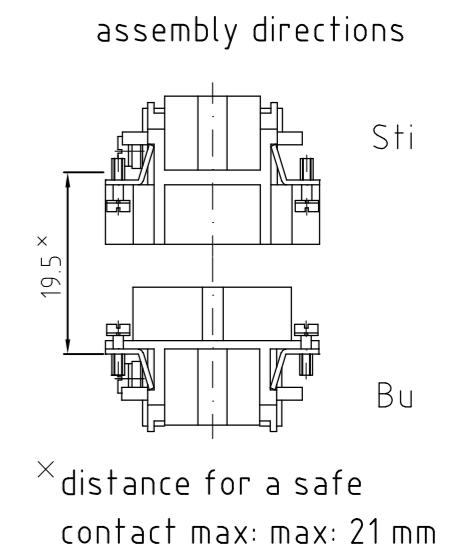
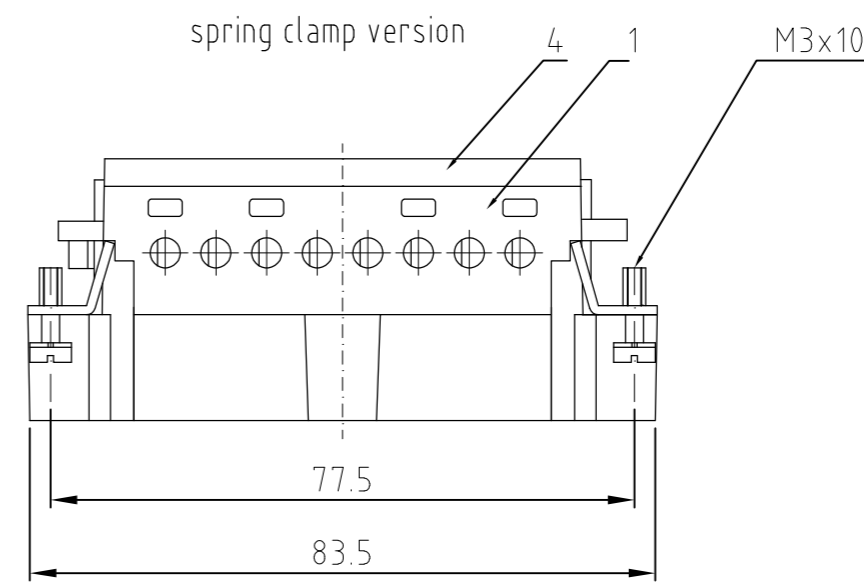
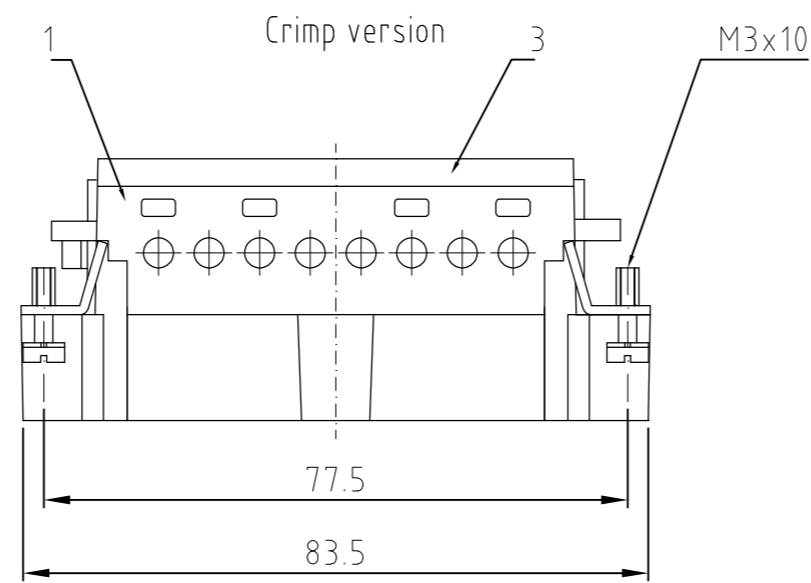
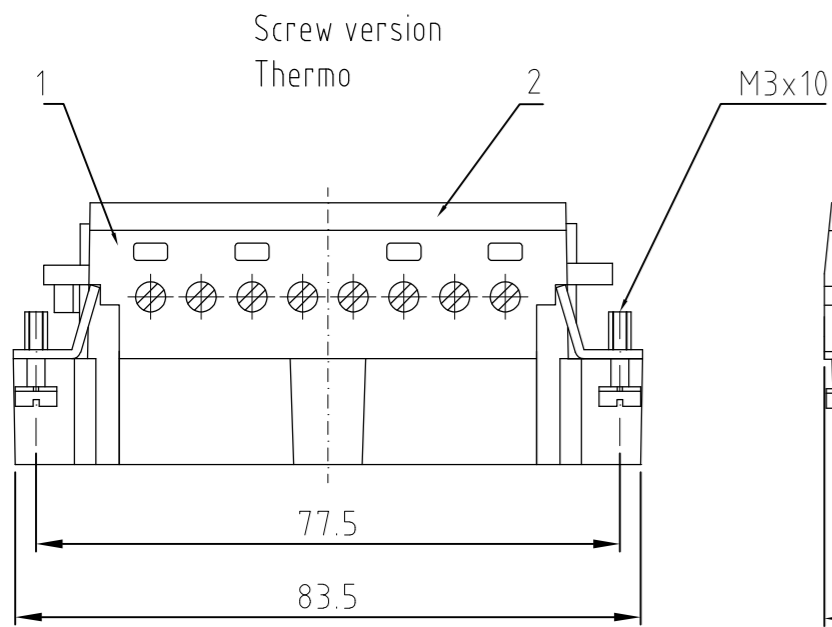
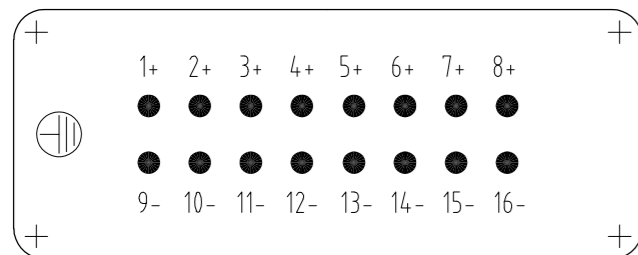


LOC	DIST	REVISIONS			
P	LTR	DESCRIPTION	DATE	DWN	APVD
AI	-	text for packaging corrected ECR-08-001868	22.01.08	SR	ST
PROJEKT NR:		C8			

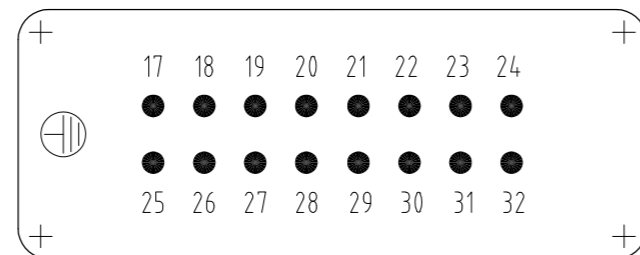


Contact arrangement view from termination side

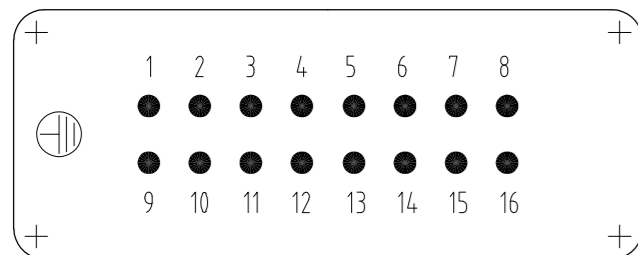
Printing 1-16 Thermo



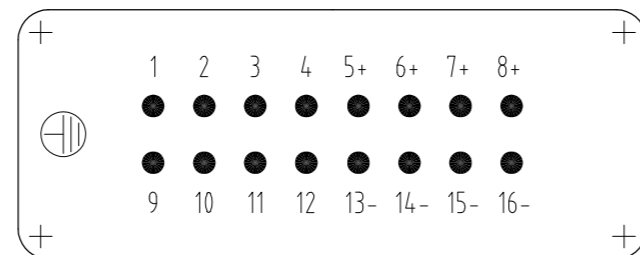
Printing 17-32 Screw



Printing 1-16 Screw



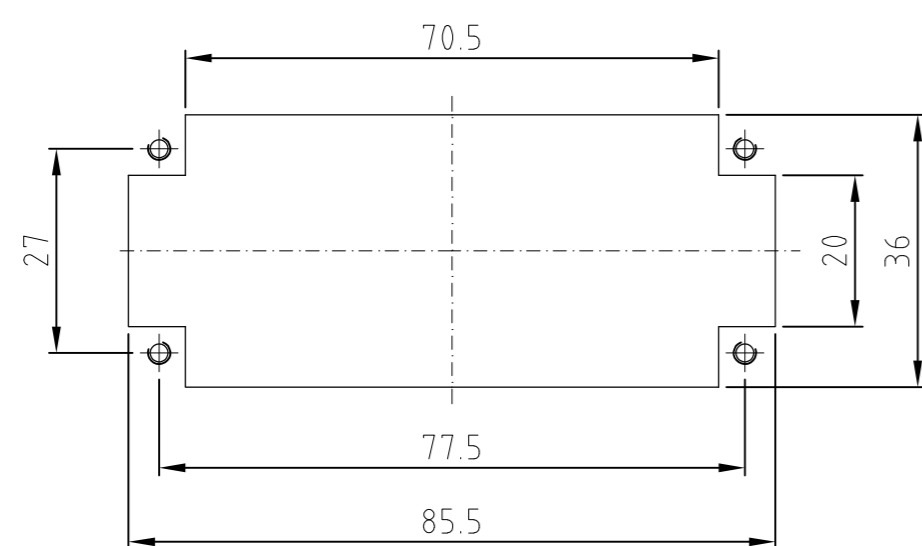
Printing 8+4+4 Screw/Thermo



NOTES:

- SUITABLE CRIMP CONTACTS: SERIES HE/HA
OUTER DIMENSIONS OF INSULATION: MAX. Ø3,2 MM
- SUITABLE HOOD SIZE 6; 10: SERIES HB; HD;HIP;EMV
SUITABLE INSERTION AND EXTRACTION TOOL:
SCREWDRIVER 0,5x3 DIN 5264
- Strip lenght: Screw conection 10mm
Spring clamp conection 10mm Crimp conection 7.5mm
- STANDARDS:
DIN EN 61984; DIN EN 60664-1
- PACKAGING:
5 SETS IN A CARTON, PRE-MOUNTED
- SPECIAL PACKAGING: Krauss-Maffei
PACKAGING UNIT: 200 PIECES

Panel cut-out for contact insert when used without housing



ITEM NO. POS.	DESCRIPTION	MATERIAL	COLOR	ITEM NO. POS.	NOTES
1	cover spring clamp version		light grey	4	
2	cover crimp version		light grey	3	
3	cover screw version		light grey	2	
4	pin insert		light grey	1	

HE.16.Sti.S.B 1-16-KM	HE.16.Sti.S.B.17-32-AU	HE.16.Sti.S-T.B 8+4+4	HE.16.Sti.S.B.1-16-AU	HE.16.Sti.S.C.B 17-32	HE.16.Sti.S.C.B 1-16	HE.16.Sti.C.B 17-32	HE.16.Sti.C	HE.16.Sti.S.B 17-32	HE.16.Sti.S-T.B 1-16	HE.16.Sti.S.B 1-16
1	1	1	1	1	1	1	1	1	1	1

<p>THIS DRAWING IS A CONTROLLED DOCUMENT FOR AMP INCORPORATED. IT IS SUBJECT TO CHANGE AND THE CONTROLLING ENGINEERING ORGANIZATION SHOULD BE CONTACTED FOR THE LATEST REVISION. DIESSES ZEICHNUNGSDOKUMENT WIRD DURCH AMP INCORPORATED KONTROLLIERT. AENDERUNGEN, DIE DEM TECHNISCHEN FORTSCHRITT DIENEN, SIND VORBEHALTEN. DEN JEWELIGS LETZTUEBLIGEN AENDERUNGSSTAND ERFAHREN SIE AUF ANFRAGE.</p>		DWN Schneider 08.02.99	HTS Elektrotechnik 53819 Neunkirchen, Germany	
<p>OTHERWISE SPECIFIED: ALLGEMEINTOLERANZEN 1) ISO 8015 2) ISO 2768 - mH - E 3) DIN 16901 - 140</p>		CHK Schweiger 08.02.00	<p>Male insert HE.16.STIs/C</p>	
<p>ORDERING TEXT</p>		APVD -	SIZE A2	RESTRICTED TO NUR FUER
<p>MATERIAL</p>		PRODUCT SPEC PRODUKTSPEZ	CAGE CODE 00779	REVISION C8
<p>FINISH 70BERFLAECHE /FARBE</p>		APPLICATION SPEC VERARBEITUNGSSPEZ.	DRAWING NO ZEICHNUNGS-NR C=1103638	SCALE MASSSTAB 1:1
<p>WEIGHT GEWICHT -</p>		CUSTOMER DRAWING /KUNDENZEICHNUNG	SHEET BLATT 1 OF 1 VON 1	REV C8