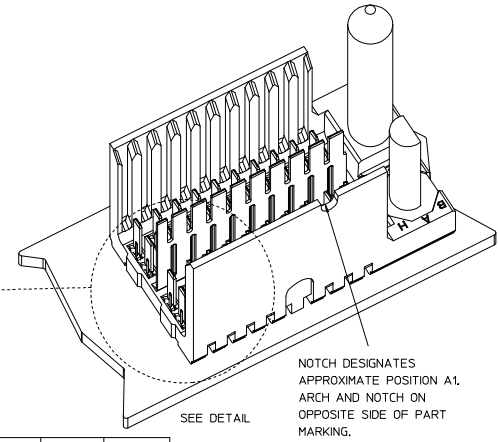
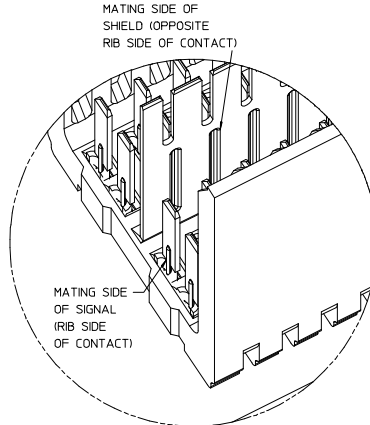
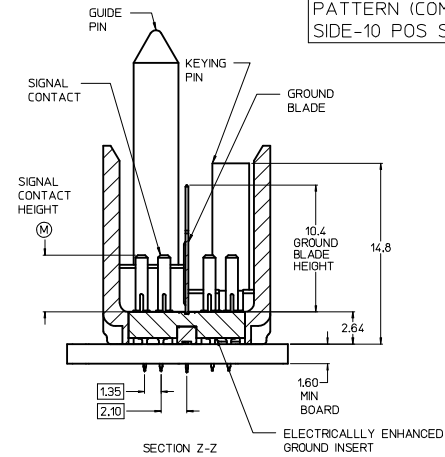
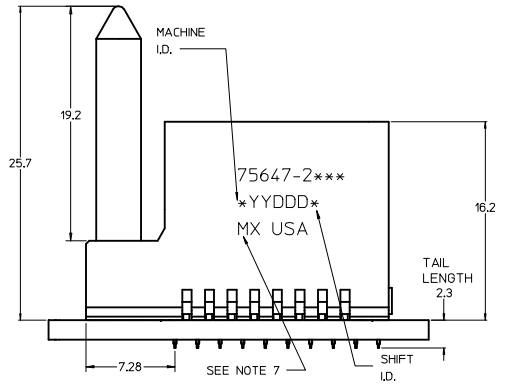


THE PRIMARY CARTON WITH A LABEL STATING "ELV AND RoHS COMPLAINT" IS LEAD FREE. CARTONS WITHOUT THIS LABEL MAY CONTAIN LEAD.

BACKPLANE HOLE PATTERN (COMPONENT SIDE-10 POS SHOWN)



| PART NUMBER TABLE | | | | |
|-------------------|----|-------|-------|---------------------------------|
| ASSY PART NO. | K | L | P | TOTAL NO. OF DIFFERENTIAL PAIRS |
| 75647-25** | 4 | 7.40 | 15.53 | 10 |
| 75647-21** | 9 | 16.65 | 24.78 | 20 |
| 75647-22** | 24 | 44.40 | 52.53 | 50 |

- NOTES:**
- MATERIAL: HOUSING - LIQUID CRYSTAL POLYMER (LCP) GLASS-FILLED, UL 94V-0, COLOR - GRAY, ELECTRICALLY ENHANCED GROUND INSERT: CONDUCTIVE RESIN, COLOR - RED, SIGNAL CONTACT AND GROUND BLADE - HIGH PERFORMANCE COPPER ALLOY.
 - FINISHES: SELECTIVE GOLD (Au) ON CONTACT AREA, SELECTIVE MATTE TIN (Sn) ON PCB TAILS, NICKEL (Ni) OVERALL.
 - THESE PARTS CONFORM TO MOLEX PRODUCT SPECIFICATION PS-75221-999.
 - FOR MIXED CONTACT MATING LENGTHS CONSULT MOLEX FOR AVAILABILITY. CONTACT PAIRS MUST BE THE SAME LENGTH.
 - FOR SPECIFIC PART NUMBER AND MATING INFORMATION PLEASE REFER TO CHART.
 - PACKAGE PER PK-70873-508.
 - MARK PART NUMBER AND DATE CODE APPROXIMATELY WHERE SHOWN.
 - OPTIONAL HOLE LOCATION FOR GROUNDED GUIDE PIN OR ADDITIONAL GUIDE PIN SUPPORT. FOR GROUNDED GUIDE PIN, HOLE TO BE PLATED, DRILL SIZE #25.8, PAD SIZE #5.50.
 - THESE PARTS CONFORM TO MOLEX COSMETIC SPECIFICATION PS-45499-002 CLASS B.
 - HAPS (MOLEX ADVANCED PLATING SYSTEM).

KEYING ORIENTATION
 0 = NONE
 1 = A
 2 = B
 ETC...

| PIN LENGTH DIM "M" | GOLD (Au) THICKNESS micrometers |
|--------------------|---------------------------------|
| 0=3.55 mm | 0.25 (MAPS) |
| 1=4.55 mm | |
| 2=5.55 mm | |
| 3=3.55 mm | 0.76 |
| 4=4.55 mm | |
| 5=5.55 mm | |
| 7=3.55 mm | 1.27 |
| 8=4.55 mm | |
| 9=5.55 mm | |

| P/N | ---0* | ---1* | ---2* | ---3* | ---4* | ---5* | ---6* | ---7* | ---8* |
|-----------|-------|-------|-------|-------|-------|-------|-------|-------|-------|
| 75647(-) | 0 | A | B | C | D | E | F | G | H |

LEAD-FREE PLATING

| | | | | | |
|--|--|---|--|--|------------------|
| REV TO LEAD-FREE EC NO: UCP-2013-0650 DRAWINGS: 2012/09/05 CHKD: MOLEF 2012/09/07 APPR: SMILLER 2012/12/05 | QUALITY SYMBOLS ∇=0 ∇=0 ∇=0 | GENERAL TOLERANCES (UNLESS SPECIFIED) DIMENSION STYLE: MM ONLY SCALE: 5:1 DESIGN UNITS: METRIC THIRD ANGLE PROJECTION | DRAWN BY: JB INGHAM CHECKED BY: KMULVEY APPROVED BY: SMILLER DATE: 2006/01/19 DATE: 2006/01/19 DATE: 2012/12/05 | TITLE: GBX 2-PAIR BACKPLANE LF ELECTRICALLY ENHANCED LEFT END SALES ASSEMBLY molex DOCUMENT NO. SD-75647-210 | SHEET NO. 1 OF 1 |
| | DRAFT WHERE APPLICABLE MUST REMAIN WITHIN DIMENSIONS | MATERIAL NO. SEE CHART | THIS DRAWING CONTAINS INFORMATION THAT IS PROPRIETARY TO MOLEX INCORPORATED AND SHOULD NOT BE USED WITHOUT WRITTEN PERMISSION | | |
| | | | | | |
| | | | | | |