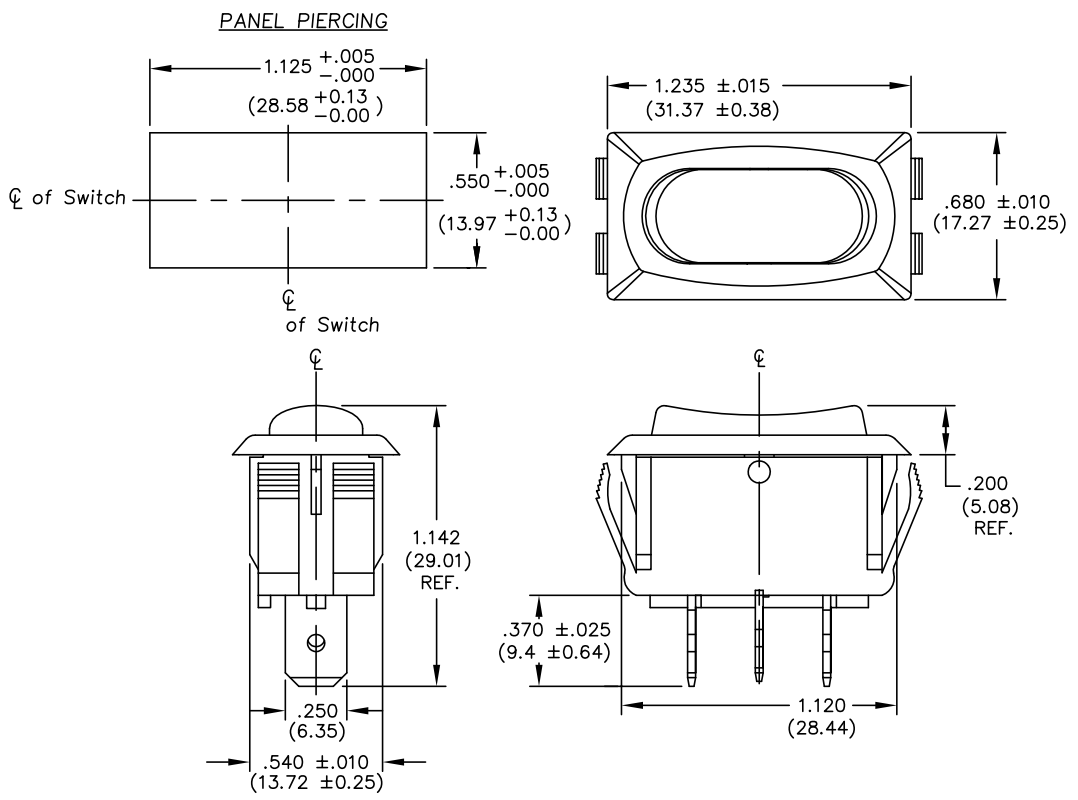


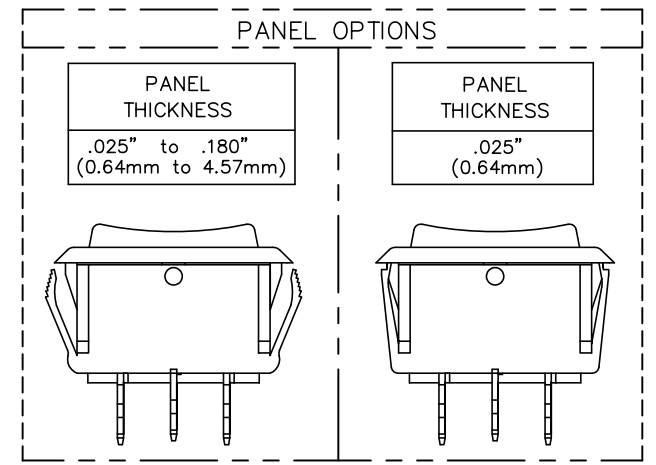
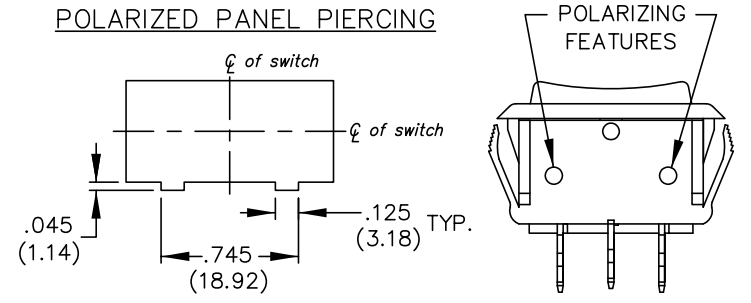
THIS INFORMATION IS CONFIDENTIAL AND PROPRIETARY TO CW INDUSTRIES INCORPORATED AND ITS AFFILIATES. IT MAY NOT BE DISCLOSED TO ANYONE, OTHER THAN CW INDUSTRIES PERSONNEL, WITHOUT WRITTEN AUTHORIZATION FROM CW INDUSTRIES INCORPORATED, SOUTHAMPTON, PENNSYLVANIA USA.

DIMENSIONS IN INCHES (MILLIMETERS)
DO NOT SCALE DRAWING

Dwg. No.
GRS-2013A-25XX



POLARIZED OPTION



TERMINAL OPTIONS:

.250" Wide Terminal is standard.
(As Shown in Drawing)

.187" Wide Terminal is optional.

(GLOSSY FINISH)

B-FORMAT 2002	REVISIONS										

PDF FILE MADE	CW INDUSTRIES Southampton, Pa. 18966	Title: CENTER OFF ROCKER SWITCH ASSEMBLY STYLE LINE 1.125" x .550" PANEL
	TOLERANCES UNLESS OTHERWISE SPECIFIED	
	2 Place Decimal ± 0.010 METRIC	
	3 Place Decimal ± 0.005 1 Place Dec. ± 0.25 mm	
	Angles $\pm 1^\circ$ 2 Place Dec. ± 0.13 mm	
Made for: CW IND.	Division: SWITCH	
Drawn by: DGW 7-28-2010	Dwg. No. GRS-2013A-25XX	
Checked by:		
Approval:		