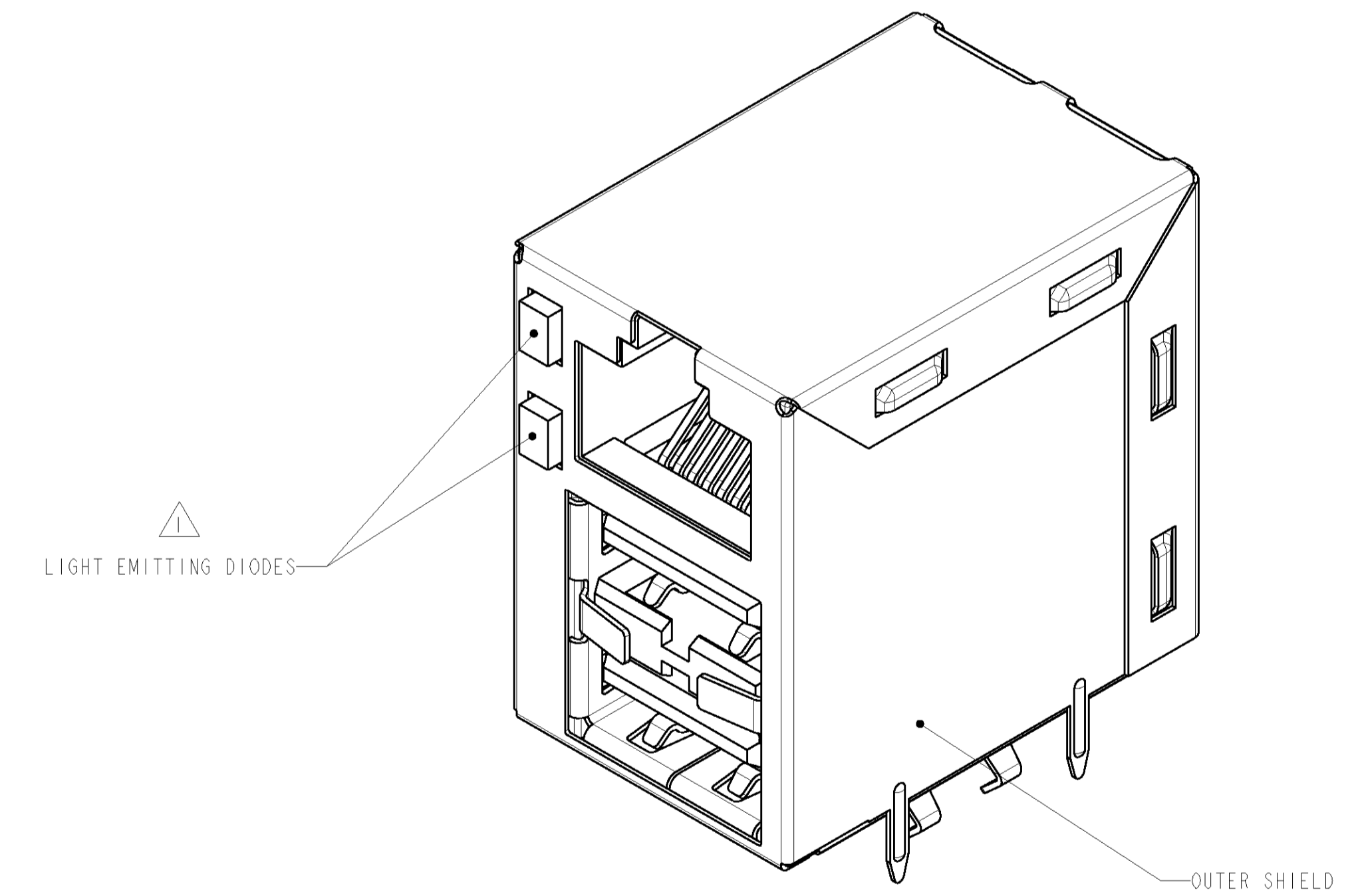
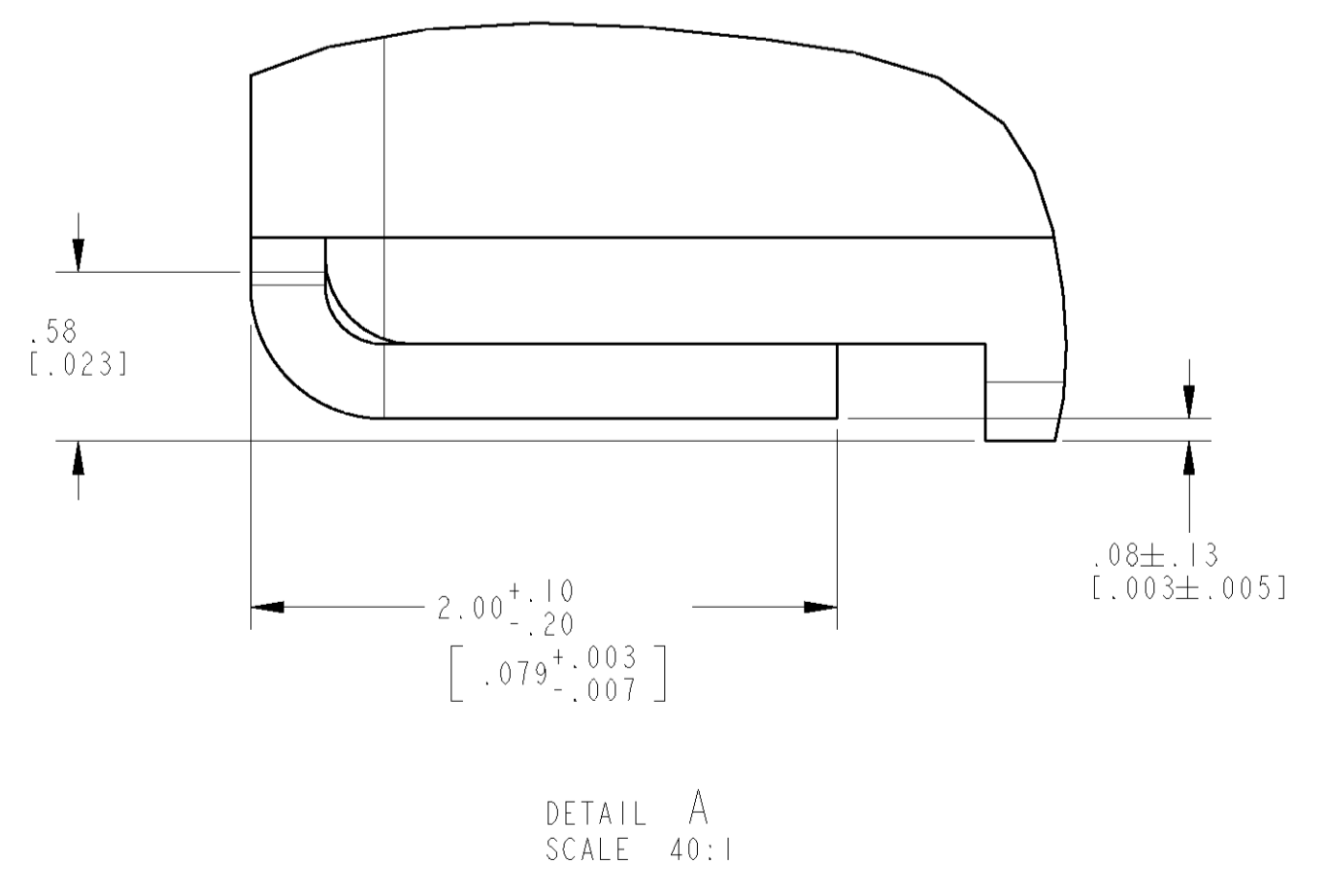
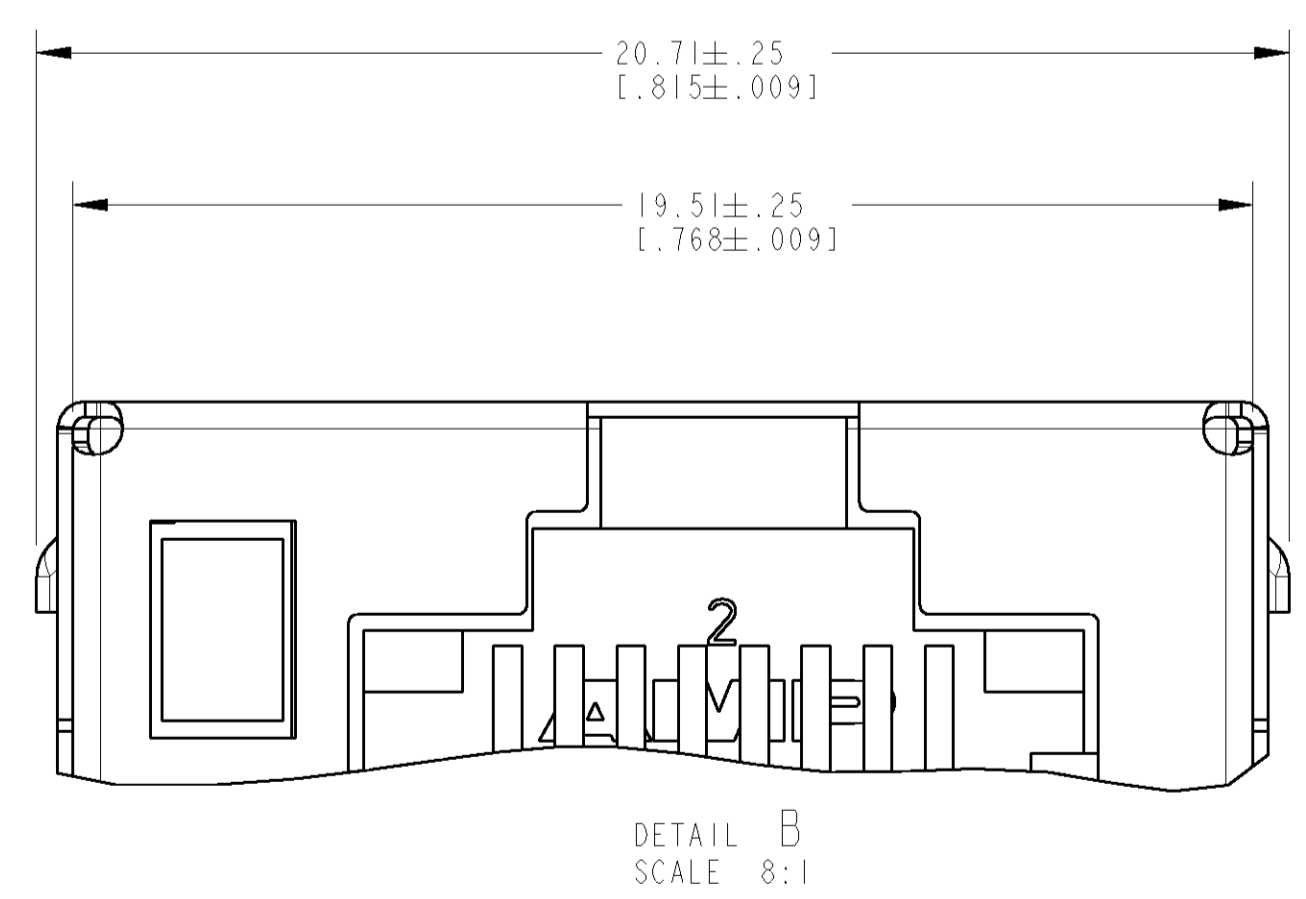
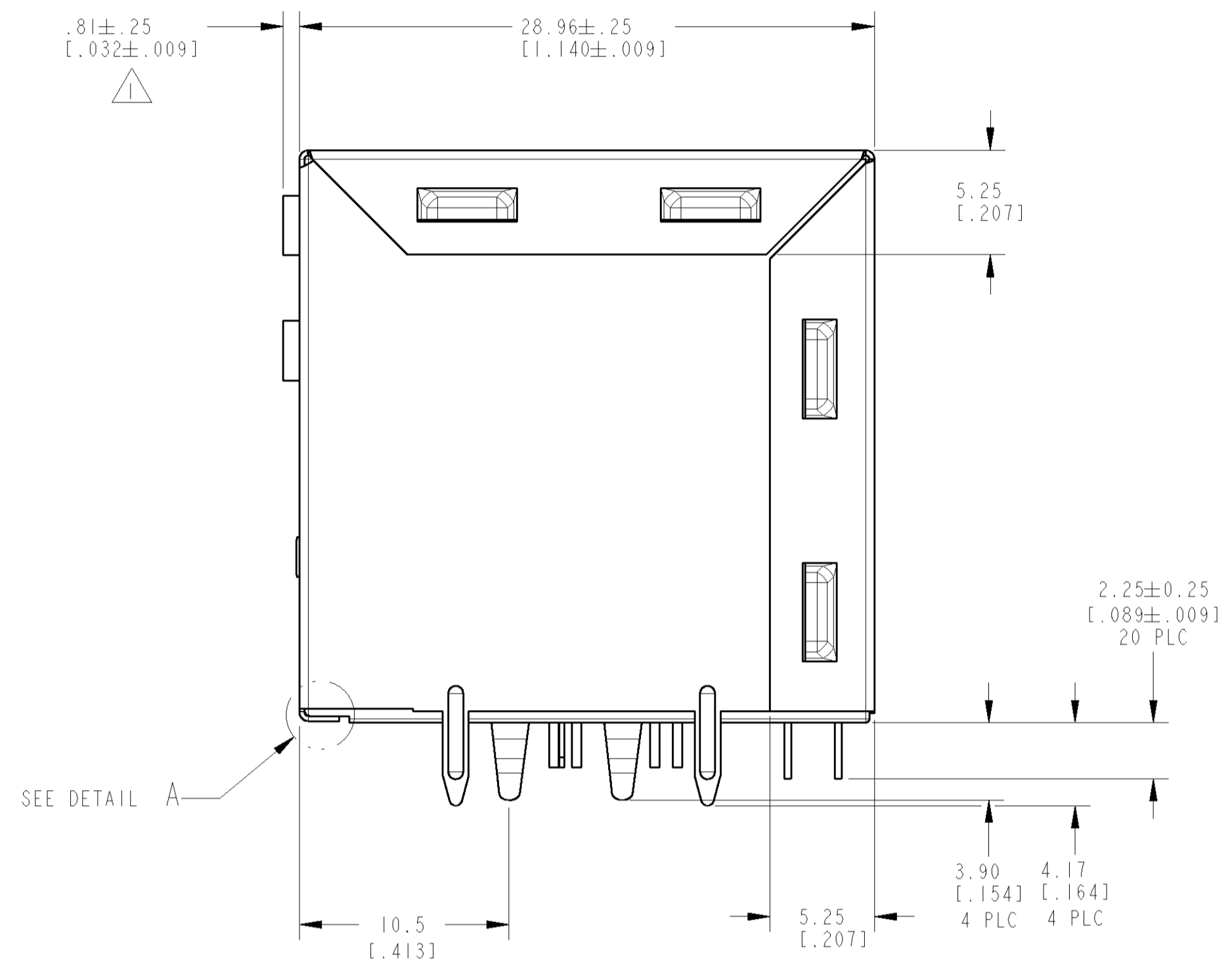
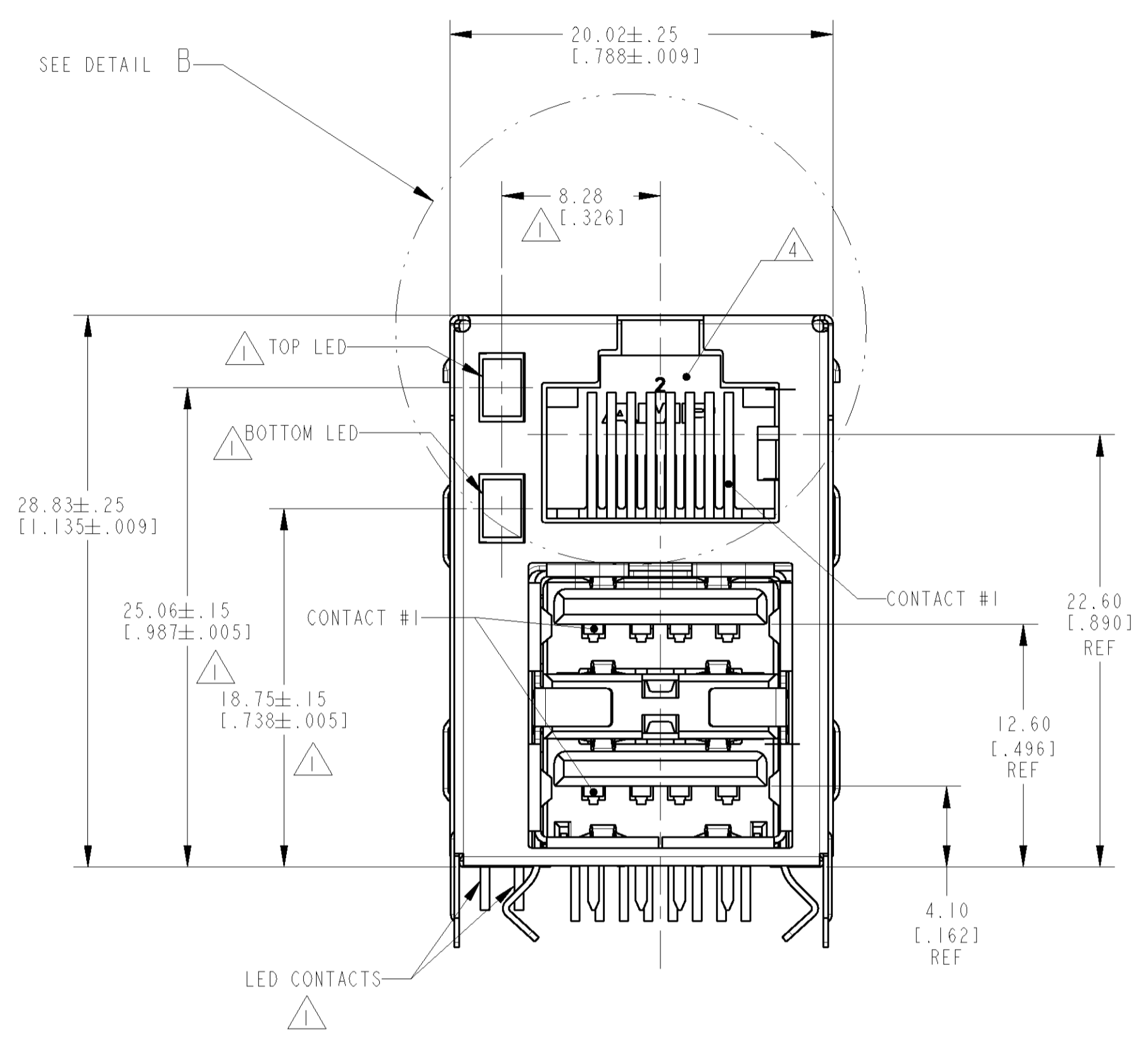


LOC	DIST	REV	DATE	BY	CHKD	APPD
AA	22					
C		ADDED: -4 PER EC 0515-0016-02	31 JAN 2002	DLD	ECL	

- 1 1116151-2 & 1116151-4 ONLY.
- 2 DATUM AND BASIC DIMENSION ESTABLISHED BY CUSTOMER.
- 3 RECOMMENDED PC BOARD THICKNESS OF 1.57[.062].
- 4 RJ45 JACK CAVITY CONFORMS TO FCC RULES AND REGULATIONS, PART 68 SUBPART F.
- 5 MATERIAL:
 - HOUSING: PLASTIC HOUSINGS: UL94V-0/5V THERMOPLASTIC. SEE TABLE FOR COLOR.
 - TERMINAL: USB: 0.251±0.013 THICK PHOSPHOR BRONZE PLATED WITH 1.27µm NICKEL. IN LOCALIZED GOLD PLATE AREA 0.076µm MIN GOLD OVER 0.76µm MIN PALLADIUM-NICKEL IS ADDED OVER NICKEL UNDERPLATE. IN SOLDER AREA 3.8µm MIN 93/7% BRIGHT TIN-LEAD IS ADDED OVER NICKEL UNDERPLATE.
 - RJ45: 0.318 THICK PHOSPHOR BRONZE PLATED WITH 1.27µm MIN THICK NICKEL. IN LOCALIZED GOLD PLATE AREA 1.27µm MIN THICK GOLD IS ADDED OVER NICKEL UNDERPLATE. IN SOLDER AREA 3.8µm MIN 93/7% TIN-LEAD IS ADDED OVER NICKEL UNDERPLATE.
 - LED: 0.5 DIAMETER CARBON STEEL LEADS PREPLATED WITH 2.286µm TO 2.54µm OF SILVER OVER 1.016µm NICKEL OVER 2.032µm OF COPPER.
 - SHIELD: OUTER: 0.254 THICK COPPER-ZINC ALLOY PREPLATED WITH BRIGHT 93/7% TIN-LEAD ALLOY 2µm TO 3.8µm THICK.
 - INNER: 0.318 THICK COPPER-ZINC ALLOY PREPLATED WITH BRIGHT 93/7% TIN-LEAD ALLOY 2µm TO 3.8µm THICK.
 - USB: 0.318 THICK PHOSPHOR-BRONZE PREPLATED WITH 5.1µm MIN TIN.
- 6. UNLESS OTHERWISE SPECIFIED ALL DIMENSIONS ARE NOMINAL.

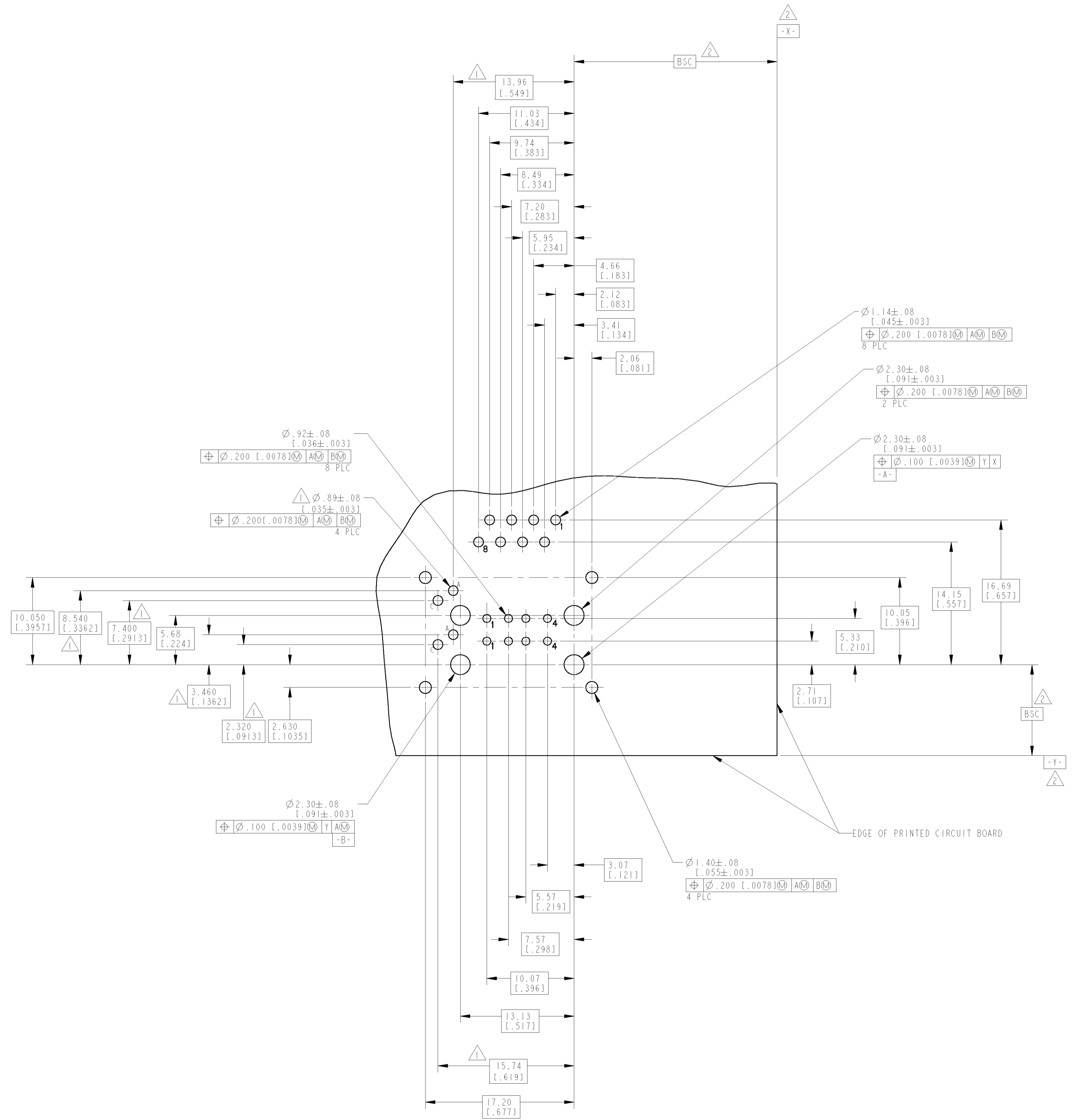


P/N 1116151-2 & 1116151-4 WITH LEDS

BOTTOM LED	TOP LED	HOUSING COLOR	PART NUMBER
GREEN	GREEN	BLACK	1116151-4
NO LED	NO LED	TURQUOISE	1116151-3
YELLOW	GREEN	BLACK	1116151-2
NO LED	NO LED	BLACK	1116151-1

DIMENSIONS: mm [INCHES]		TOLERANCES UNLESS OTHERWISE SPECIFIED: 0 PLC ± 1 PLC ± 2 PLC ±0.13(.005) 3 PLC ± 4 PLC ± ANGLES ±1°		DWN BY: HOLTZCLAW JAN99 ENR: E. LAURER 18 JAN99 APD: F. LAURER 18 JAN99		TYCO Electronics Harrisburg, PA 17105-3608	
MATERIAL: 5		FINISH: 5		PRODUCT SPEC: APPLICATION SPEC:		NAME: ASSEMBLY, RJ-45 MODULAR JACK OVER STACKED USB RECEPTACLE, WITH LEDS AND WITHOUT LEDS	
WEIGHT:		SIZE: A1		CAGE CODE: 00779		DRAWING NO: 1116151	
CUSTOMER DRAWING		SCALE: 4:1		SHEET: 1 OF 2		REV: C	

LOC	DIST	REVISIONS			
		REV	DATE	BY	APPD
AA	22	C	SEE SHEET 1	-	-



RECOMMENDED PCB LAYOUT ³

<small>THIS DRAWING IS A CONTROLLED DOCUMENT FOR AMP INCORPORATED. ALL DIMENSIONS ARE TO BE CONTROLLED UNLESS OTHERWISE SPECIFIED. ORGANIZATION SHOULD BE CONTACTED FOR THE LATEST REVISION.</small>		DWN: B. HOLTZCLAW ENR: E. LAURER APD: E. LAURER	JAN99 18JAN99 18JAN99	AMP TYCO Electronics Harrisburg, PA 17105-3608
DIMENSIONS: mm [INCHES]	TOLERANCES UNLESS OTHERWISE SPECIFIED: 0 PLC ± 1 PLC ± 2 PLC ±0.13(.005) 3 PLC ± 4 PLC ± ANGLES ±1° FINISH -	NAME: ASSEMBLY, RJ-45 MODULAR JACK OVER STACKED USB RECEPTACLE, WITH LEDS AND WITHOUT LEDS PRODUCT SPEC - APPLICATION SPEC -	SIZE: A1 CAGE CODE: 00779 DRAWING NO: C=1116151	SCALE: 4:1 SHEET: 2 OF 2 REV: C
MATERIAL: -		WEIGHT: -		CUSTOMER DRAWING