

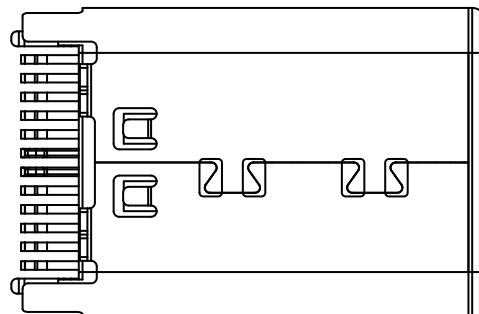
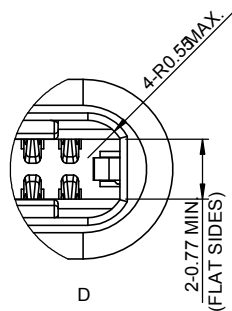
1

2

3

4

5



#### TECHNICAL CHARACTERISTICS

**MATERIAL**  
 INSULATOR: LCP  
 FLAMMABILITY RATING: UL94-V0  
 COLOR: BLACK  
 CONTACT MATERIAL: COPPER ALLOY  
 CONTACT PLATING: 2μ" GOLD OVER 30μ" Pd-Ni  
 COVER MATERIAL: STEEL  
 COVER PLATING: Ni  
 QUALITY CLASS: 10 000 MATING CYCLES

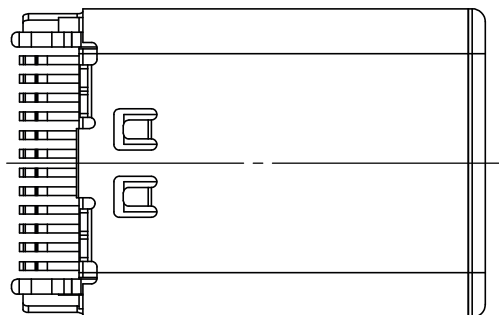
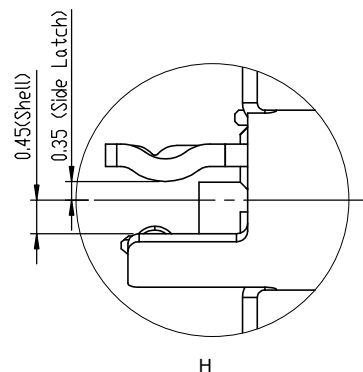
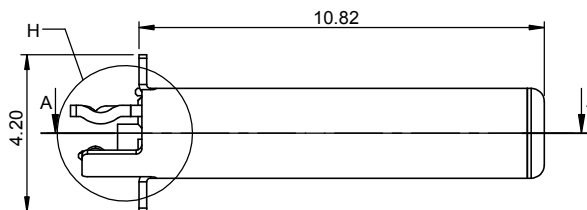
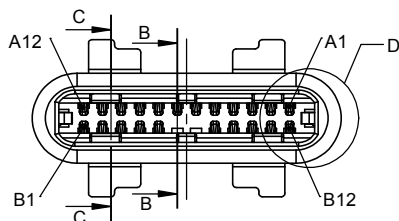
**ENVIRONMENTAL**  
 OPERATING TEMPERATURE: -25°C UP TO +105°C  
 COMPLIANCE: LEAD FREE & ROHS

**ELECTRICAL**  
 CURRENT RATING: 3 A MAX  
 WORKING VOLTAGE: 5 VDC  
 WITHSTANDING VOLTAGE: 100 VAC/MIN  
 INSULATION RESISTANCE: >1000 MΩ  
 CONTACT RESISTANCE: 30 mΩ MAX

**MECHANICAL**  
 INSERTION FORCE: 5-8 N MAX  
 EXTRACTION FORCE: 8-20 N MIN

**SOLDERING**  
 JEDEC LEAD FREE REFLOW SOLDERING PROCESS

**PACKAGING**  
 TAPE & REEL WITH CAP



RoHS Compliant

PROJECTION:



GENERAL TOLERANCE

.X =  $\pm 0.2$ .XX =  $\pm 0.15$ 

APPROVAL: NPr

UNIT: MM

SCALE:

SHEET: 1/5

DRAW: AK

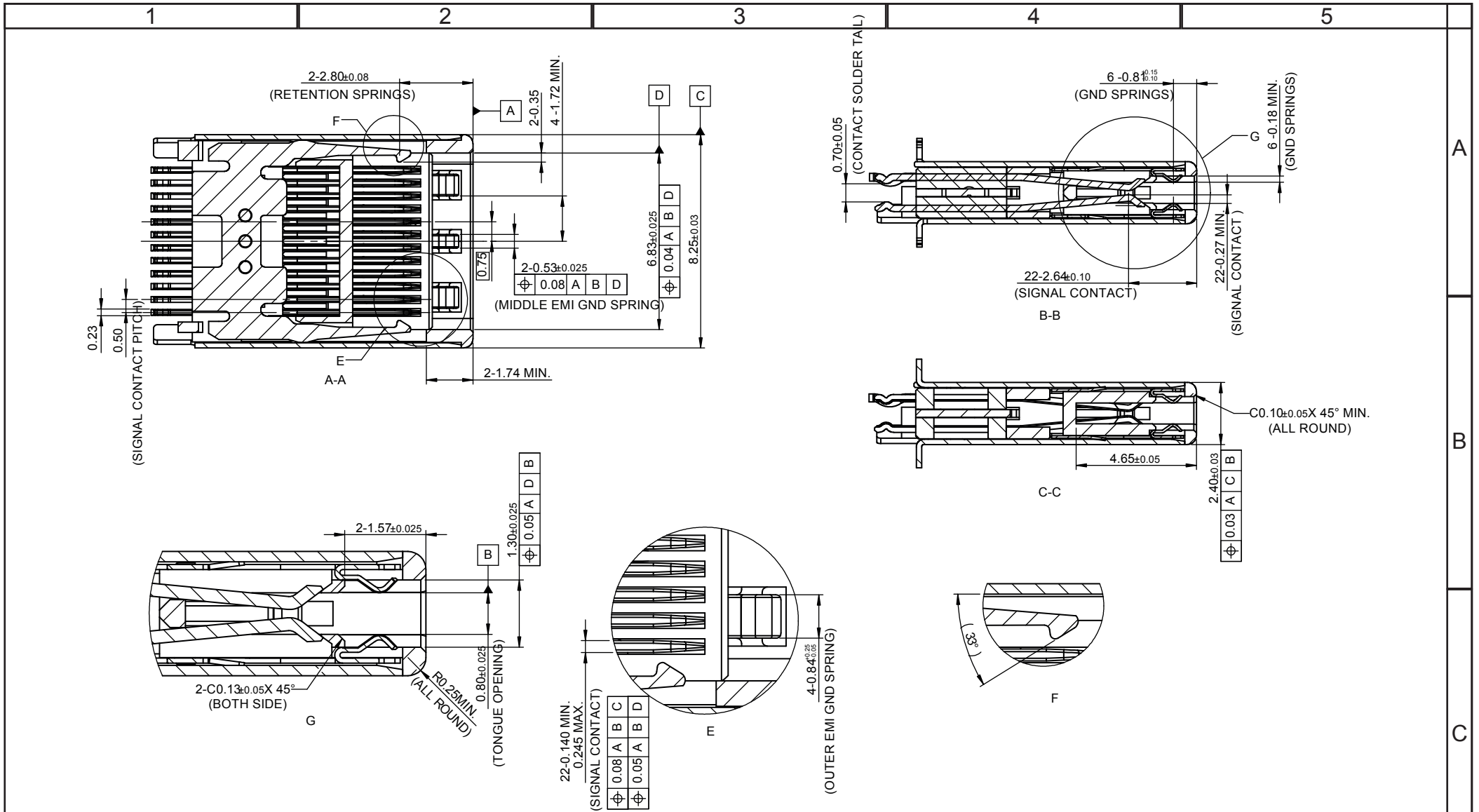
DESCRIPTION: USB 3.1 TYPE C PLUG - HORIZONTAL SMT

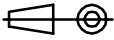

WERI PART NO: 632 712 000 021

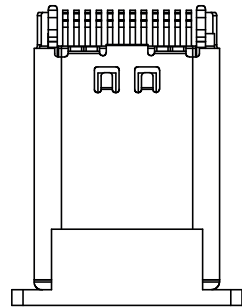
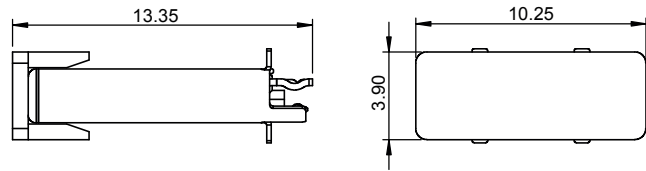
SIZE

**A4**

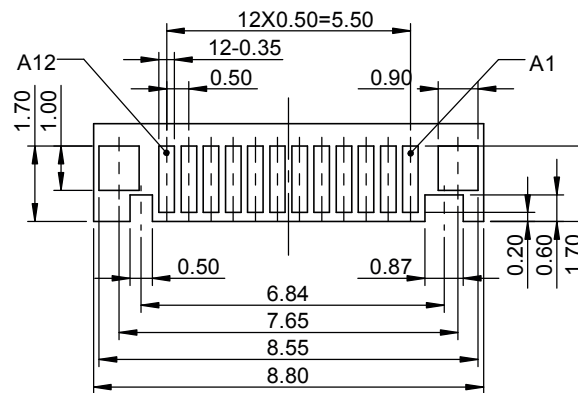
G			
F			
E			
D			
C			
B			
A	15-SEP-15	PDF	AK
REV	DATE	FILE	BY



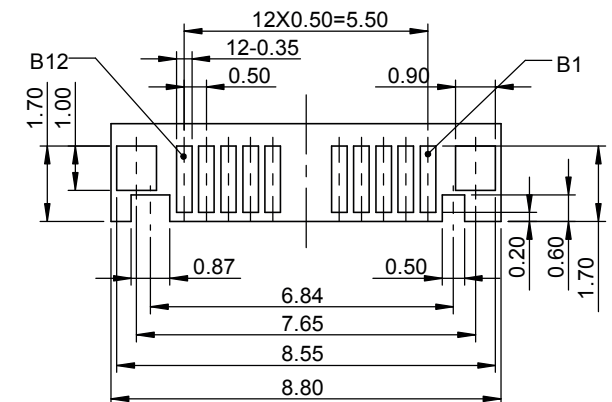
RoHS Compliant				PROJECTION: 	GENERAL TOLERANCE .X = +/- 0.2 .XX = +/- 0.15		
G							
F							
E							
D							
C				APPROVAL: NPR	UNIT: MM	DESCRIPTION: USB 3.1 TYPE C PLUG - HORIZONTAL SMT	SIZE <b>A4</b>
B					SCALE:	WERI PART NO: 632 712 000 021	
A					SHEET: 2/5		
REV	DATE	FILE	BY		DRAW: AK		



Pin Number	Signal Name	Pin Number	Signal Name
A1	GND	B12	GND
A2	SSTXp1	B11	SSRXp1
A3	SSTXn1	B10	SSRXn1
A4	VBUS	B9	VBUS
A5	CC1	B8	SBU2
A6	Dp1	B7	-
A7	Dn1	B6	-
A8	SBU1	B5	CC2
A9	VBUS	B4	VBUS
A10	SSRXn2	B3	SSTXn2
A11	SSRXp2	B2	SSTXp2
A12	GND	B1	GND



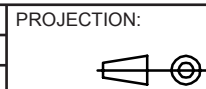
TOP SIDE



BOTTOM SIDE

PCB LAYOUT - COMPONENT VIEW  
RECOMMENDED PCB THICKNESS : 0.80 mm

RoHS Compliant			
G			
F			
E			
D			
C			
B			
A			
REV	DATE	FILE	BY



PROJECTION:

APPROVAL: NPr

GENERAL TOLERANCE

.X = +/- 0.2

.XX = +/- 0.15

UNIT: MM

SCALE:

SHEET: 3/5

DRAW: AK



DESCRIPTION: USB 3.1 TYPE C PLUG - HORIZONTAL SMT

WERI PART NO: 632 712 000 021

SIZE

**A4**

1

2

3

4

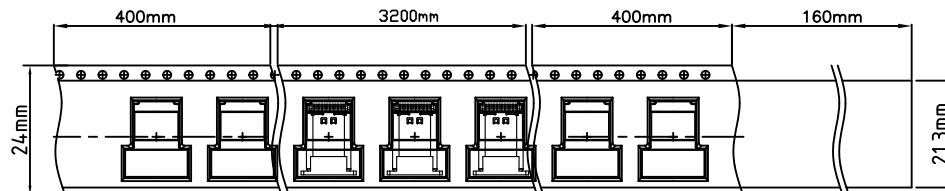
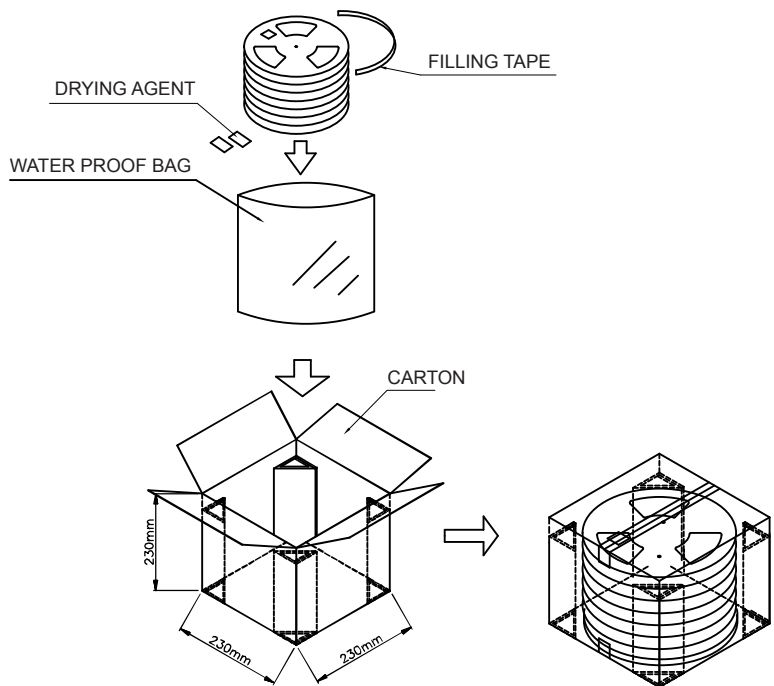
5

A

B

C

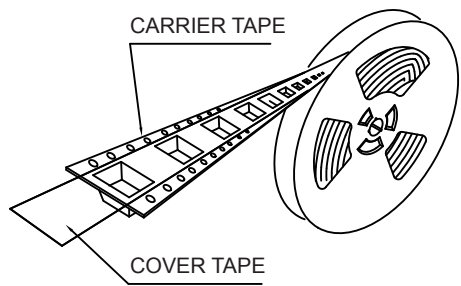
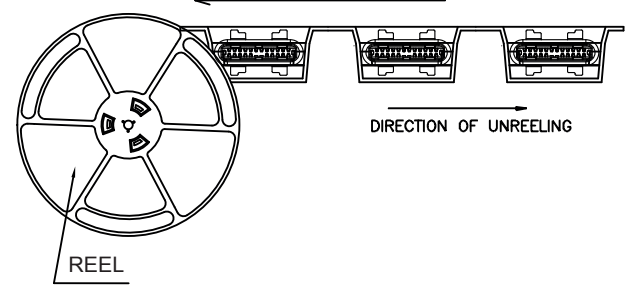
D



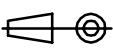

← PACKING DIRECTION

← PACKING DIRECTION

→ DIRECTION OF UNREELING



200 pcs/reel  
 5 reels/carton  
 1000 pcs/carton

RoHS Compliant				PROJECTION: 	GENERAL TOLERANCE .X = +/- 0.2 .XX = +/- 0.15		DESCRIPTION: USB 3.1 TYPE C PLUG - HORIZONTAL SMT	SIZE <b>A4</b>
G								
F								
E								
D								
C				APPROVAL: NPr	UNIT: MM	WERI PART NO: 632 712 000 021		
B					SCALE:			
A					SHEET: 4/5			
REV	DATE	FILE	BY		DRAW: AK			

1

2

3

4

5

## Cautions and Warnings:

This electronic component is designed and developed with the intention for use in general electronics equipments.

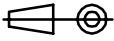

Before incorporating the components into any equipments in the field such as aerospace, aviation, nuclear control, submarine, transportation, (automotive control, train control, ship control), transportation signal, disaster prevention, medical, public information network etc. where higher safety and reliability are especially required or if there is possibility of direct damage or injury to human body, Würth Elektronik must be asked for a written approval.

In addition, even electronic component in general electronic equipments, when used in electrical circuits that require high safety, reliability functions or performance, the sufficient reliability evaluation-check for the safety must be performed before by the user before usage.

A

B

C

RoHS Compliant				PROJECTION: 	GENERAL TOLERANCE .X = +/- 0.2 .XX = +/- 0.15		DESCRIPTION: DISCLAIMER	SIZE <b>A4</b>
G								
F								
E								
D								
C				APPROVAL: JC	UNIT: MM	WERI PART NO: DISCLAIMER	SIZE <b>A4</b>	
B					SCALE:			
A	10-SEP-14	PDF	QL		SHEET: 5/5			
REV	DATE	FILE	BY		DRAW: QL			

D