



Features:

- ◇ Display hold function standard
- ◇ 3½ digits with 0.56" Red or Green LED
- ◇ 10 wire harness included
- ◇ Gasket and clamp provided for NEMA4, NEMA12 & IP66 applications
- ◇ User selectable decimal points

Specifications:

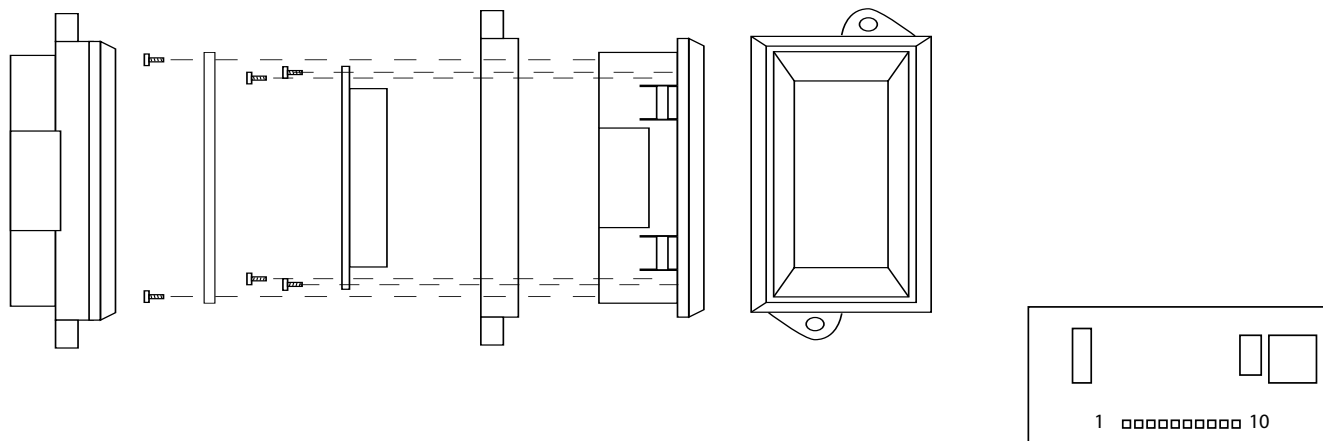
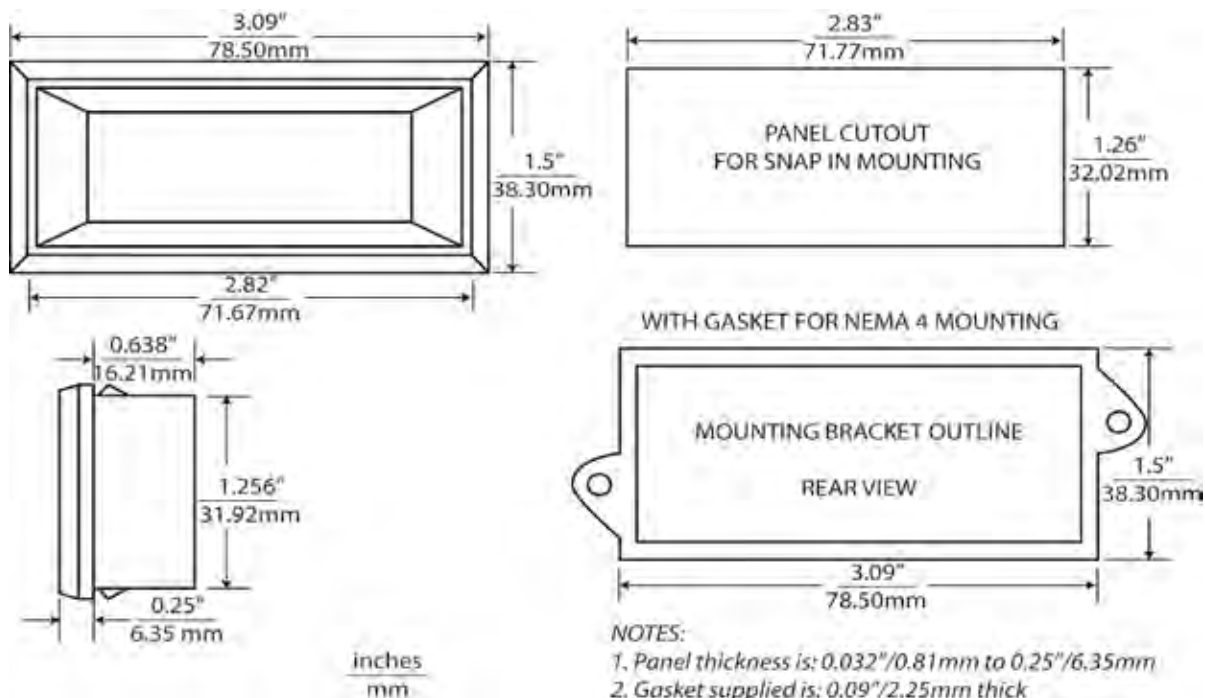
Display:	Digits:	3 ½ (±1999 count)
	Type:	7- segment LED (red or green)
	Digit Height:	.56 in (14.2 mm)
	Polarity Indication:	automatic "-" for neg input
	Decimal Point:	3 position selectable
	Overrange:	three lower order digits blank for inputs >1999 & < -1999
Signal Inputs:	Configuration:	bipolar, differential
	Full-Scale Input:	±200 mV, ±2 V, ±20 V
	Input Offset Adjustment:	auto zero
	Input Impedance:	>100 MΩ (±200 mV), -1 MΩ (other ranges)
	Common Mode Range:	±1 VDC
	Common Mode Rejection:	>86 dB
	Protection:	±350 VDC (±100 VDC for 200 mV range)
	Input Bias Current:	1 pA typical, 100 pA max
	Control Inputs:	decimal point select, hold, span adjust trimpot
	Performance:	Sampling Rate:
Accuracy:		± (0.1% + 2 counts) typ ±(0.2% + 2 counts) max
Warmup, typical:		10 min
Temperature Drift, typical:		100 ppm / °C
Power Supply:	Supply Voltage:	+5 VDC ±5%
	Supply Current, typical:	200 mA
Environmental:	Operating Temperature:	0 to 50°C
	Storage Temperature:	-10 to 60°C
	Relative Humidity:	0 to 95% non-condensing
Physical:	Package Style:	NEMA bezel mount
	Dimensions:	3.09 x 1.5 x .66"
	Panel Cutout:	2.83 x 1.26"
	Weight:	1.0 oz
	Connector:	J1C-10 or C10-5 optional
Connection:	10 pin	

Ordering Information:

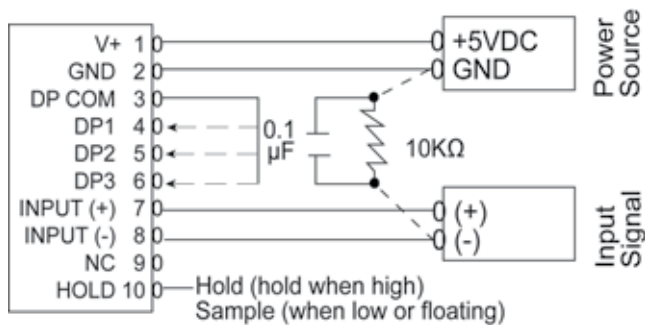
PART NUMBER	METER COLOR	METER POWER
DK611.....	GREEN	200mV DC
DK612.....	GREEN	2V DC
DK613.....	GREEN	20V DC
DK614.....	RED	200mV DC
DK615.....	RED	2VDC
DK616.....	RED	20VDC

C10-5.....	5" - 10 Pin Connector / Wire Assembly
J1C10.....	12" - 10 Pin Connector / Wire Assembly
PW2-5.....	Regulated 120V AC to 5V DC Power Supply
PW1.0.....	24V AC to adjustable DC output
CPW1.5.....	24V AC to adjustable DC output
CVC.....	Calibrator

Dimensions



Wiring



Pin No.	Pin Name	Description
1	V+	+5V power supply
2	GND	Power supply ground
3	DP COM	Decimal point return
4	DP1	1XX.X (connect to DP COM to turn on)
5	DP2	1X.XX (connect to DP COM to turn on)
6	DP3	1.XXX (connect to DP COM to turn on)
7	INPUT(+)	Positive input signal
8	INPUT(-)	Negative input signal
9	NC	No connection required
10	HOLD	Hold last display