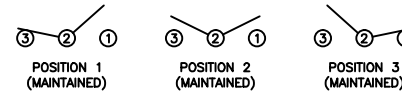


SCHMATIC



SPECIFICATIONS

FUNCTION:  
1P2T ON-OFF-ON

RATINGS:  
ANSI/UL 1054 and CAN/CSA C22.2 No. 55 (E194579):  
16A 125VAC [UR, cUR]  
10A 250VAC [UR, cUR]  
1/3HP 125/250VAC [UR, cUR]

EN 61058-1:2002:  
10(4)A 250V~ μ 1E4 T125/55 [ENEC14, SEMKO]  
10(2)A 250V~ μ 5E4 T85/55 [ENEC14, SEMKO]

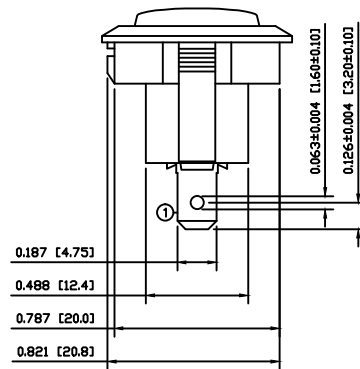
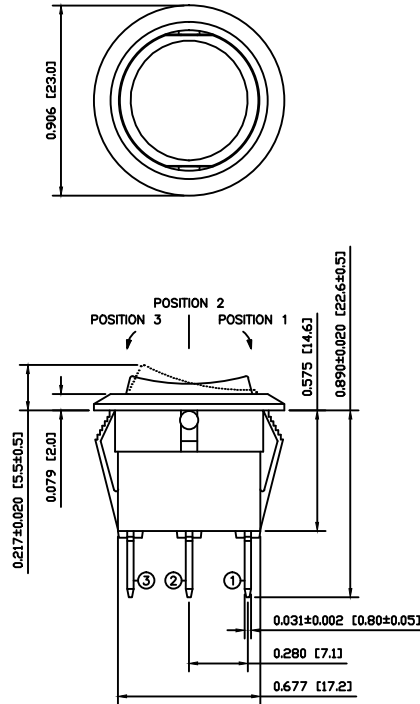
CONTACT RESISTANCE:  
Initial: 35mΩ Max. at 50VAC

INSULATION RESISTANCE:  
100MΩ Min. at 500VDC

DIELECTRIC STRENGTH:  
1,500VAC For 1 Minute

ELECTRICAL LIFE:  
6,000 Cycles [UR, cUR]  
10,000 Cycles [ENEC14, SEMKO: 10(4)A 250V~]  
50,000 Cycles [ENEC14, SEMKO: 10(2)A 250V~]

TEMPERATURE:  
Operating: -20°C to 105°C [UR, cUR]  
Operating: -20°C to 125°C [ENEC14, SEMKO: 10(4)A 250V~]  
Operating: -20°C to 85°C [ENEC14, SEMKO: 10(2)A 250V~]



COLORS AND MARKINGS

BODY:  
Black

ACTUATOR:  
Black

MARKINGS:  
None

MARKING COLOR:  
None

MATERIALS

BODY:  
Polyamide 6/6 (PA66), UL94 V-2

ACTUATOR:  
Polyamide 6/6 (PA66), UL94 V-2

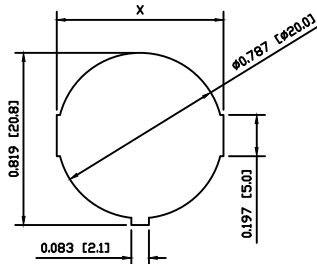
SPRING:  
Steel

SPRING COVER:  
Steel

CONTACTS:  
Silver Alloy Plated Copper

TERMINALS:  
Silver Plated Copper

SUGGESTED PANEL CUTOUT



| PANEL THICKNESS         | X            |
|-------------------------|--------------|
| 0.030~0.049 [0.75~1.25] | 0.795 [20.2] |
| 0.049~0.079 [1.25~2.00] | 0.803 [20.4] |
| 0.079~0.118 [2.00~3.00] | 0.811 [20.6] |

|                |      |          |     |
|----------------|------|----------|-----|
| ACTUATOR       | A    | 09/08/10 | CAB |
| BODY           | B    | 10/03/31 | CAB |
| COLORS         | A    | 09/08/10 | CAB |
| MATERIALS      | A    | 09/08/10 | CAB |
| SPECIFICATIONS | A    | 09/08/10 | CAB |
| REFERENCE      | REV. | DATE     | BY  |

THE INFORMATION CONTAINED IN THIS DOCUMENT IS PROPRIETARY TO E-SWITCH-LAMB INDUSTRIES AND IS NOT TO BE COPIED OR TRANSFERRED

|      |                           |         |           |          |
|------|---------------------------|---------|-----------|----------|
| B    | correct Housing side view | 22882   | 1/19/2017 | MW       |
| A    | INITIAL RELEASE           | PCRO051 | 09/08/11  | CAB      |
| REV. | DESCRIPTION               | PCR     | DATE      | DRAWN BY |

|                      |                      |
|----------------------|----------------------|
| DIMENSIONS           |                      |
| INCHES [MILLIMETERS] |                      |
| GENERAL TOLERANCES   | ±0.008 [±0.2] / ±1"  |
| SCALE                | DRAWING NOT TO SCALE |
| PROJECTION           |                      |

E-SWITCH\*

TITLE: RR115C1100

ITEM NUMBER: 38-RR115C1100

DATE: MARCH 31, 2010

REVISION: B