

7

6

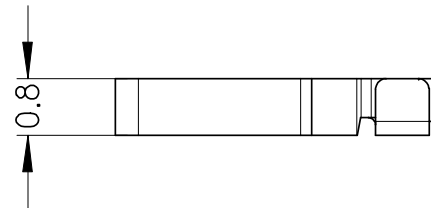
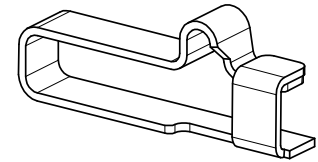
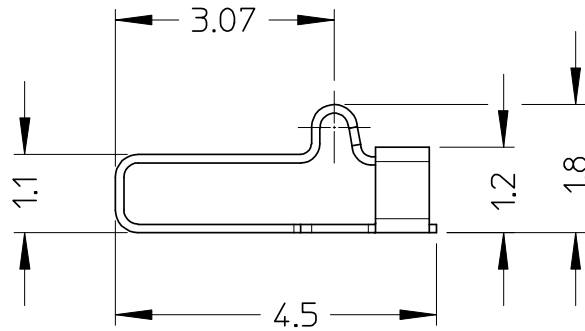
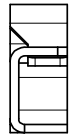
5

4

3

2

1



NOTES:

- 1. MATERIAL: BERYLLIUM COPPER 0.127 mm THICK.
0.07 μm MIN. Au OVER 1.27 μm MIN. Ni
- 2. CONTACT NORMAL FORCES @0.4 mm
DEFLECTION 0.30 N ±0.15 N
- 3. PACKAGING: T&R 8000 PCS/REEL,
8 REEL/BOX (SPQ=64000 PCS)

Std.Descr.: "MICRO SPRING CONTACT"

ENTER DESCRIPTION EC NO: Z2008-0143 DRWN:FGOTTARD 2008/03/17 CHKD:LSANTESSO 2008/03/17 APPR:GZUIN 2008/03/18	QUALITY SYMBOLS 	GENERAL TOLERANCES (UNLESS SPECIFIED)		DIMENSION STYLE MM ONLY	SCALE 10:1	DESIGN UNITS METRIC	FIRST ANGLE PROJECTION		
			mm	INCH	DRAWN BY FGOTTARDO	DATE 2008/14/03	TITLE MICRO SPRING CONTACT		
		4 PLACES	± ---	± ---	CHECKED BY RSANDANO	DATE 2008/14/03	MOLEX INCORPORATED		
		3 PLACES	± ---	± ---	APPROVED BY GZUIN	DATE 2008/14/03			
		2 PLACES	± 0.10	± ---	MATERIAL NO. 94328-5001		DOCUMENT NO. SD-94328-001	SHEET NO. 1 OF 1	
1 PLACE	± 0.15	± ---	SIZE A4						
ANGULAR ± ---°		DRAFT WHERE APPLICABLE MUST REMAIN WITHIN DIMENSIONS							

6

5

4

3

2

1