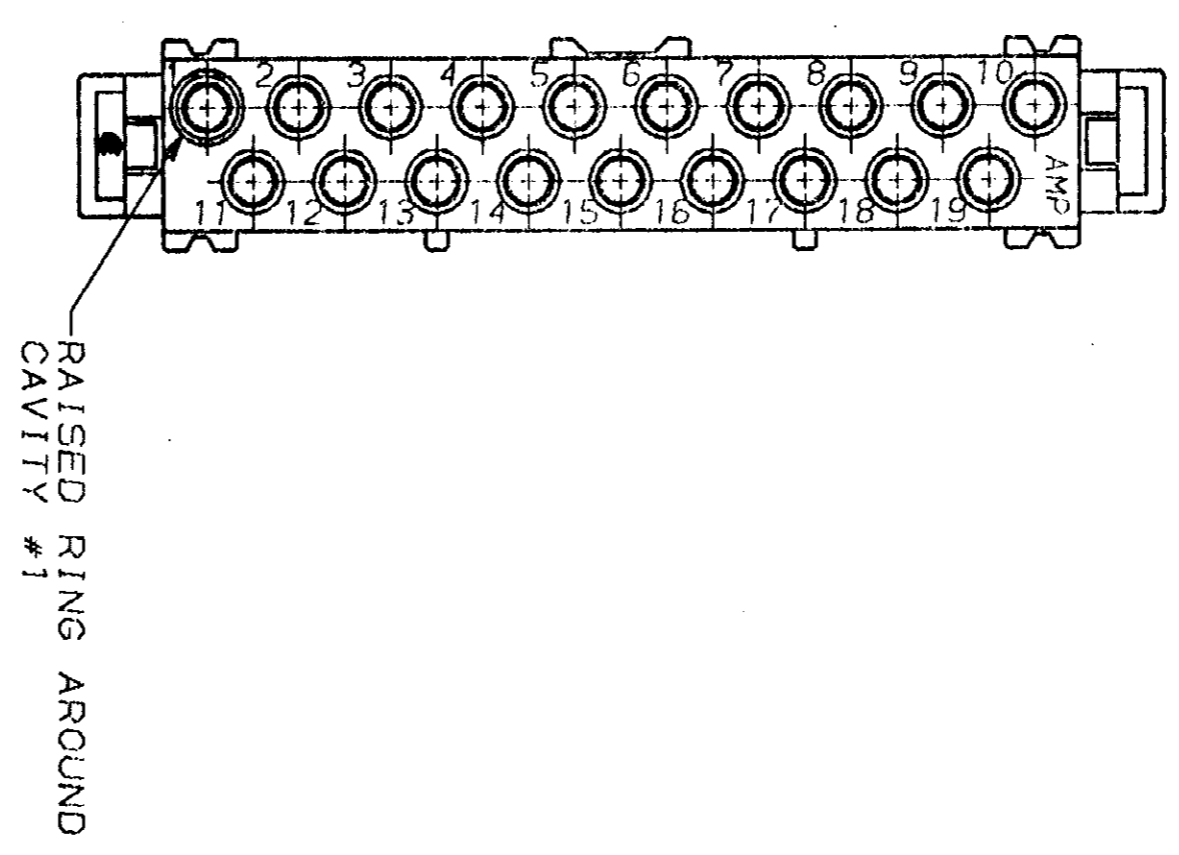
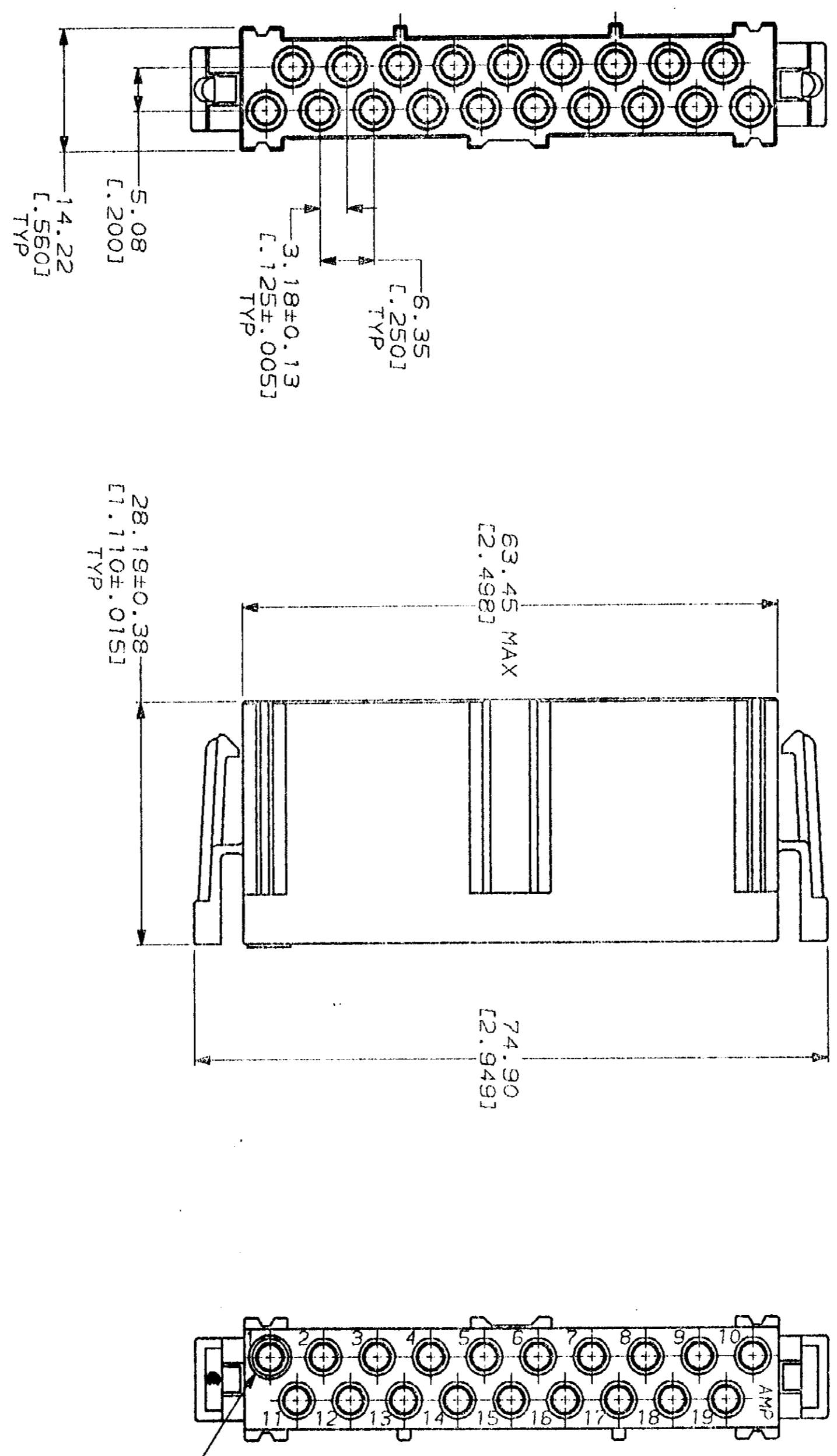


DRAWING MADE IN THIRD ANGLE PROJECTION
 THIS DRAWING IS UNPUBLISHED. RELEASED FOR PUBLICATION
 BY AMP INCORPORATED. ALL INTERNATIONAL RIGHTS RESERVED.
 © COPYRIGHT 1979

NO	LOC	DIST	P	ZONE	LTR	DESCRIPTION	DATE	APPD
1	BD	39		D		REDRAWN PER ECN 506093	03/16/92	-



DO NOT SCALE PRINT. UNLESS SPECIFIED (INCHES) DIMENSIONS IN (mm) (INCHES) TOLERANCES ON: 2 PLC DEC ± 0.25 (0.010) 3 PLC DEC ± 0.125 (0.005) ANGLES ± 0.5° (0.015°)		DR 03/16/92 L. SIPE	AMP Incorporated Harrisburg, PA 17105-3668	NAME HOUSING, PLUG, 19 POSN, METRIMATE	
MATERIAL NYLON, UL-94V-0 RATED, RED		CHK 3-18-92 R. STONE		SIZE C 00779	DRAWING NO 208100
FINISH RED		APPD 3-18-92 A. TRAVIS		SCALE 2:1	SHEET 1 OF 1
PRODUCT SPEC		APPD 3-18-92 C. RICHDE	PART NO 208100-1		
APPLICATION SPEC		WEIGHT	CUSTOMER DRAWING		