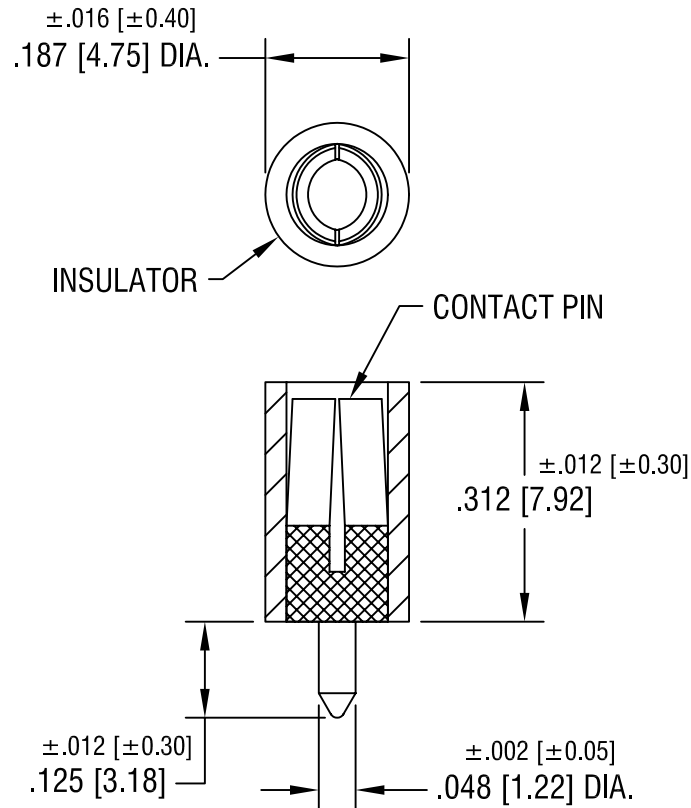


THIS DOCUMENT IS THE PROPERTY OF
KEYSTONE ELECTRONICS CORP. AND
SHALL NOT BE REPRODUCED, DISTRIBUTED
OR USED AS A BASIS FOR MANUFACTURE
WITHOUT PRIOR WRITTEN PERMISSION
FROM KEYSTONE ELECTRONICS CORP.



NOTES:

- CONTACT PIN:
MAT'L - BRASS, SILVER PLATE
INSULATOR:
MAT'L - NYLON 6/6 - YELLOW
- RATINGS:
CURRENT: 5 AMPS MAX.
OPERATING VOLTAGE: 1500 RMS
ADJACENT JACK CAPACITANCE:
1 pF MAX. @ 1 MHz

KEYSTONE ELECTRONICS CORP.			
ASTORIA, N.Y. 11105-2017			
PART NAME		VERTICAL PC TEST JACK	
MATERIAL		AS NOTED	
FINISH		DRN BY	DATE
AS NOTED		BOONE	12.13.82
		APPD	SCALE
		LN	4X
TOLERANCES	INCH [MM]	CODE	DWG NO.
DECIMAL	$\pm .005$ [± 0.15]	C	6039
ANGULAR	$\pm 1^\circ$		
UNLESS OTHERWISE SPECIFIED			

11.20.00	CHANGE AS PER ECN 00-116	A	
DATE	DESCRIPTION	REV.	