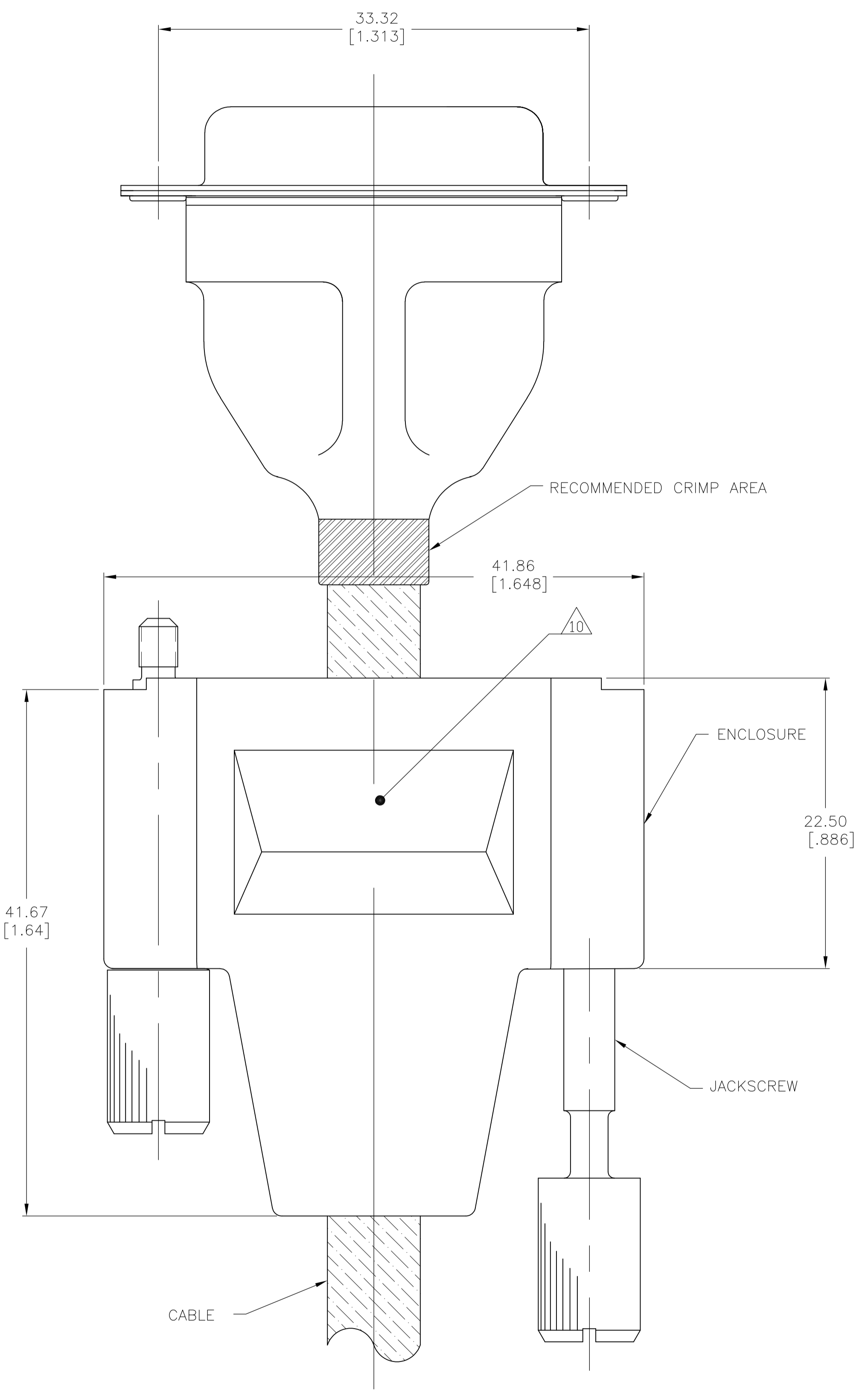


LOC	DIST	REVISIONS			
GP	00	REV	DESCRIPTION	DATE	BY
		F	REVISED PER ECO-12-003967	13APR2012	CJV CWR



EXPLODED VIEW OF ASSEMBLED KIT

- 1 MATERIAL
INSERT: PBT, BLACK, UL94V-0 RATED
CONTACT & JACKSCREWS: BRASS
SHELLS & SHIELD: STEEL
ENCLOSURE: PVC, BLACK
- 2 FINISH
CONTACT: GOLD PLATING 0.02µm[.000008] MIN ON CONTACT AREA/2.3µm[.000090] MIN TIN-LEAD PLATING ON SOLDER AREA. ALL OVER 1.27µm[.000050] MIN NICKEL.
SHELL: 2.4µm[.000095] MIN TIN.
SHIELD: 2.0-3.0µm[.000080-.000120] TIN.
- 3. SPECIFICATION
ELECTRICAL CHARACTERISTICS:
CURRENT RATING: 3 AMPERES
DIELECTRIC WITHSTANDING VOLTAGE: AC 1000V r.m.s
INSULATION RESISTANCE: 5000 MEGOHMS MINIMUM AT DC 500V
CONTACT RESISTANCE: 10 MILLIOHMS MAXIMUM.
- 4. RECEPTACLE CONNECTOR FULLY LOADED WITH CONTACTS. ALL OTHER PARTS ARE SHIPPED UNASSEMBLED, EACH PART INDIVIDUALLY BULK PACKED.
- 5. SOLDER CUP WILL ACCOMMODATE 20 MAX AWG WIRE.
- 6 FINISH
CONTACT: GOLD PLATING 0.02µm[.000008] MIN ON CONTACT AREA/2.3µm[.000090] MIN HOT DIPPED TIN-COPPER PLATING ON SOLDER AREA. ALL OVER 1.27µm[.000050] MIN NICKEL.
SHELL: 2.4µm[.000095] MIN BRIGHT TIN.
SHIELD: 2.0-3.0µm[.000080-.000120] TIN.
- 8 ROHS 2002/95/EC COMPLIANT PART. (SEE SHEET 2).
- 9 OBSOLETE PARTS: OBSOLETE CIS STREAMLINING PER D.RENAUD/D.SINISI.
- 10 COMPANY LOGO IN APPROXIMATE AREA SHOWN.
- 11. ASSEMBLE PER 408-10443

8 9	OBSOLETE	6	10.8 [.425]	1571655-6
8		6	9.5 [.374]	1571655-5
8 9	OBSOLETE	6	7.2 [.283]	1571655-4
SUPERSEDED BY 1571655-6		2	10.8 [.425]	1571655-3
SUPERSEDED BY 1571655-5		2	9.5 [.374]	1571655-2
SUPERSEDED BY 1571655-4		2	7.2 [.283]	1571655-1
	FINISH	CABLE DIA	PART	NUMBER

THIS DRAWING IS A CONTROLLED DOCUMENT. **STE** TE Connectivity

DIMENSIONS: mm [INCHES]	TOLERANCES UNLESS OTHERWISE SPECIFIED:	DIN M. BINNER 21NOV03	APVD	NAME
0 PLC ± -	1 PLC ± 0.3[.012]	CHK		BULK KIT, RECEPTACLE, AMPLIMITE SOLDER CUP SHIELDING ENCLOSURE 15 POSITION, SIZE 2
2 PLC ± -	3 PLC ± -	APVD		PRODUCT SPEC 108-40031
4 PLC ± -	ANGLES ± -	APVD		APPLICATION SPEC
MATERIAL	FINISH	SIZE	CAGE CODE	DRAWING NO
1	2 6	WEIGHT	A1	00779
		CUSTOMER DRAWING	SCALE 4:1	SHEET 1 OF 1 REV F