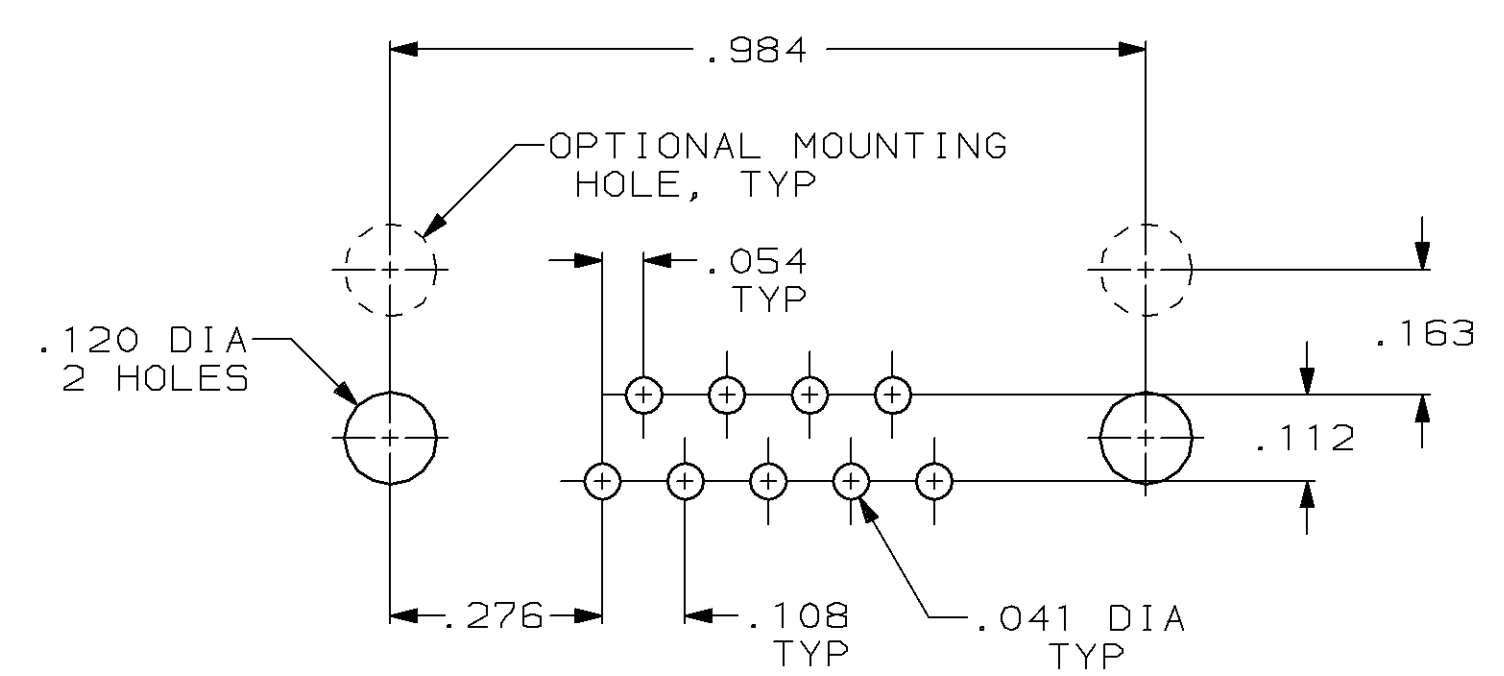
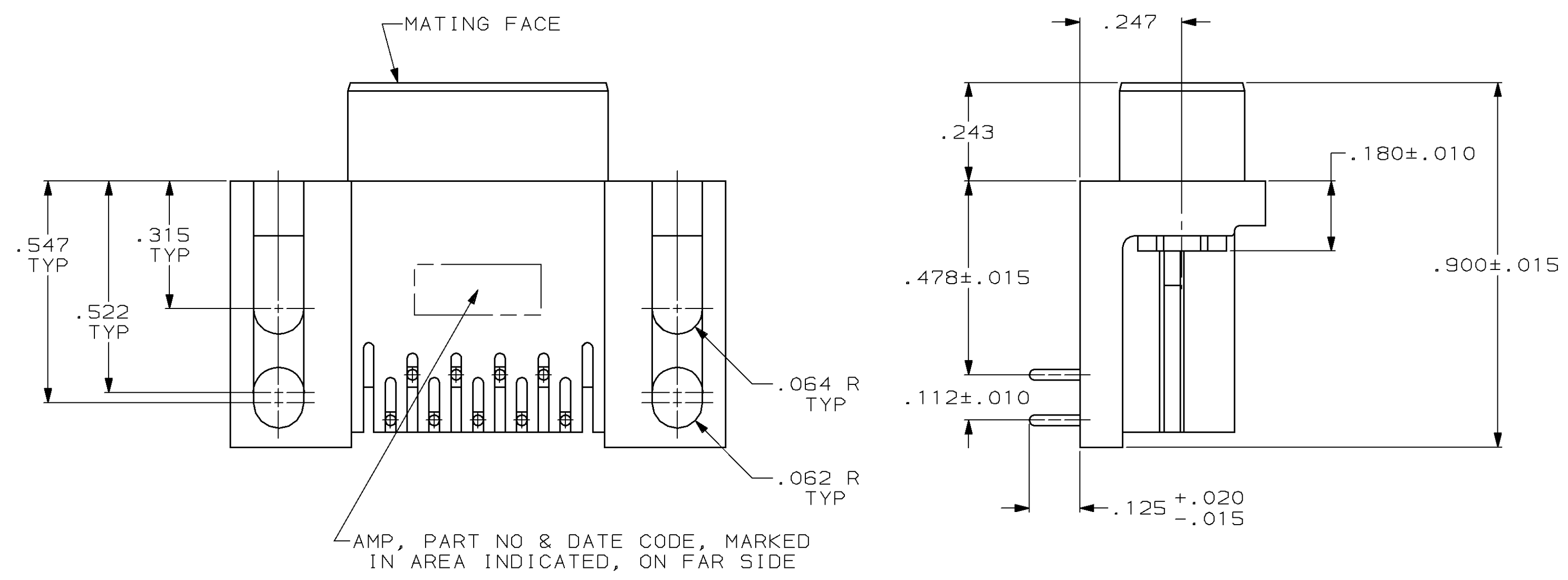
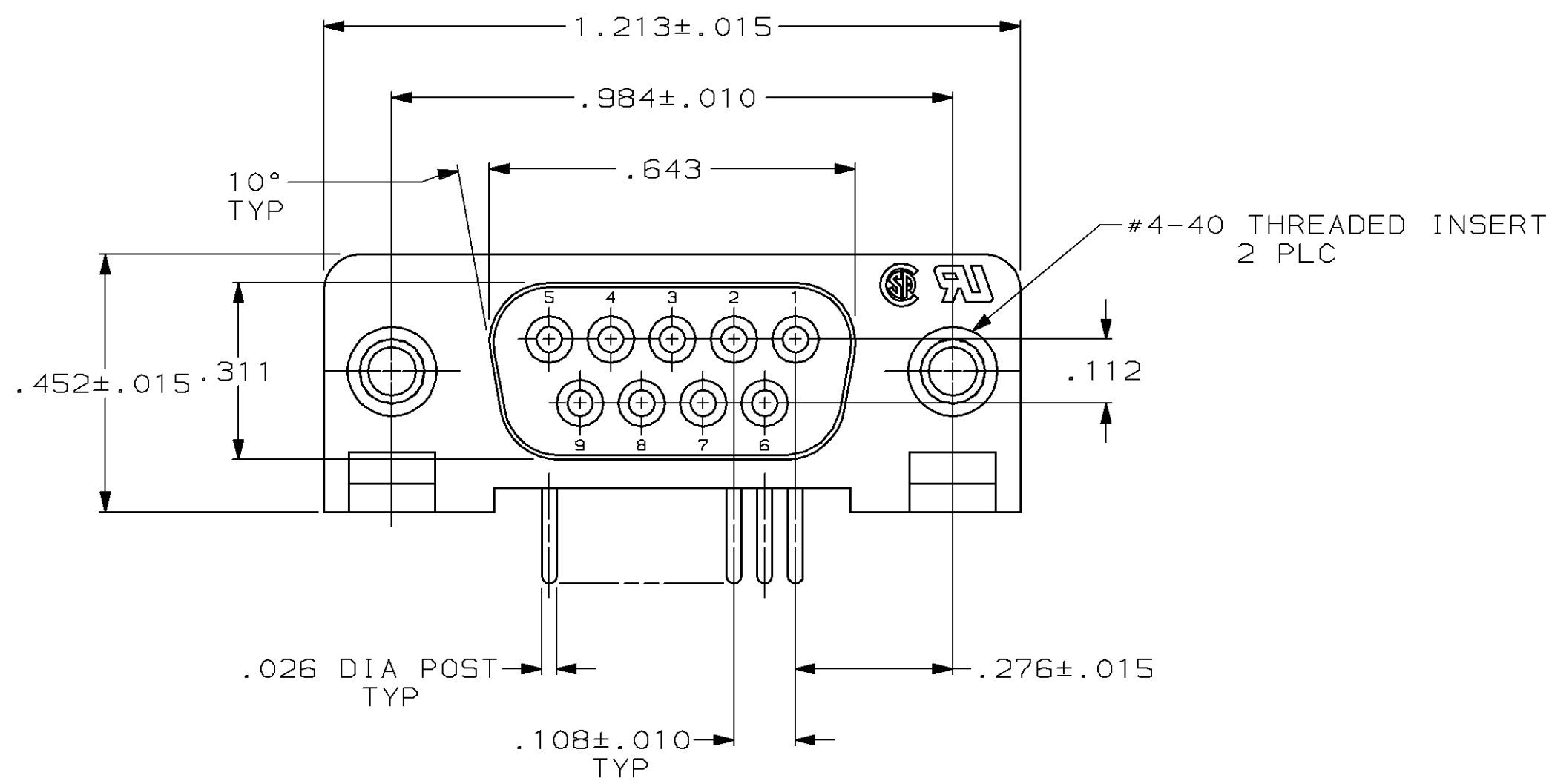


DRAWING MADE IN THIRD ANGLE PROJECTION  
 THIS DRAWING IS UNPUBLISHED. RELEASED FOR PUBLICATION  
 © COPYRIGHT 19 BY AMP INCORPORATED, HARRISBURG, PA. ALL INTERNATIONAL RIGHTS RESERVED. AMP PRODUCTS MAY BE COVERED BY U.S. AND FOREIGN PATENTS AND/OR PATENTS PENDING.

LOC		DIST		P		ZONE		LTR		REVISIONS		DATE	APPD
BD	77									E	REV PER EC 0020-983-95	15 DEC 95	RT



P.C. BOARD MOUNTING DIMENSIONS

- 1 FLAME RETARDANT, 94V-0 RATED, GLASS FILLED NYLON OR POLYESTER, COLOR: BLACK.
- 2 PHOS. BRONZE PER QQ-B-750.
- 3 REFER TO APPLICATION SPEC FOR RECOMMENDED P.C. BOARD MOUNTING DIMENSIONS FOR AUTOMATIC INSERTION.
- 4 GOLD PLATING PER MIL-G-45204, TIN PLATING PER MIL-T-10727, NICKEL PLATING PER QQ-N-290.
- 5 PLATED WITH GOLD FLASH FOR LENGTH OF .055 MIN FROM MATING END, WITH POINT OF MEASUREMENT .035 FROM MATING END OF CONTACT, .000100-.000200 TIN OR TIN-LEAD ON SOLDER END, ALL OVER .000050 NICKEL ON ENTIRE CONTACT.
- 6 PLATED WITH .000030 GOLD FOR LENGTH OF .055 MIN FROM MATING END, WITH POINT OF MEASUREMENT .035 FROM MATING END OF CONTACT, .000100-.000200 TIN OR TIN-LEAD ON SOLDER END, ALL OVER .000050 NICKEL ON ENTIRE CONTACT.

UNLESS OTHERWISE SPECIFIED DIMENSIONS ARE IN INCHES TOLERANCES ON:		DR 5-5-87 S.WELDON	SUPSD BY 745391-2		745391 -2
2 PL DEC ±.005		CHK 5-5-87 C.RICHARD	FINISH		745391 -1
3 PL DEC ±.005		APPD 5-5-87 B.TAYLOR	AMP		PART NUMBER
ANGLES ±2°		APPD 5-5-87 J.ASSINI	AMP INCORPORATED		Harrisburg, Pa. 17105
MATERIAL	MOLDED PARTS: 1	PRODUCT SPEC	NAME		
CONTACTS: 2	INSERTS: ZINC	108-40005	RECEPTACLE ASSY, SIZE 1, 9 POSN, RIGHT ANGLE, .478 SERIES, .026 DIA POSTS, W/ THREADED INSERTS, AMPLIMITE® HD-20		
FINISH: 3	CONTACTS: SEE TABLE	APPLICATION SPEC	SIZE	FSCM NO	DRAWING NO
INSERTS: CLEAR CHROMATE	INSERTS: CLEAR CHROMATE	114-40015	D	00779	745391
WEIGHT		-	SCALE	4:1	SHEET 1 of 1