

F

E

D

C

B

A

F

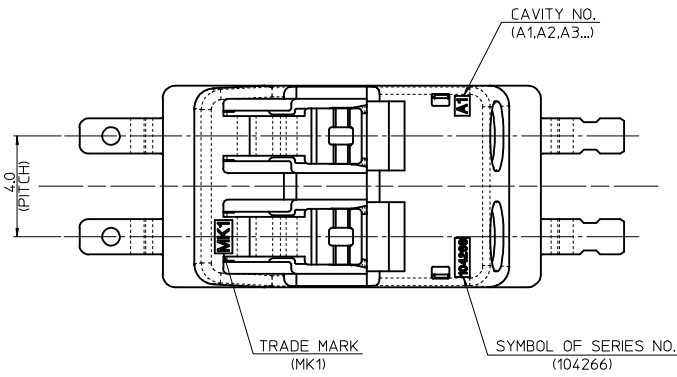
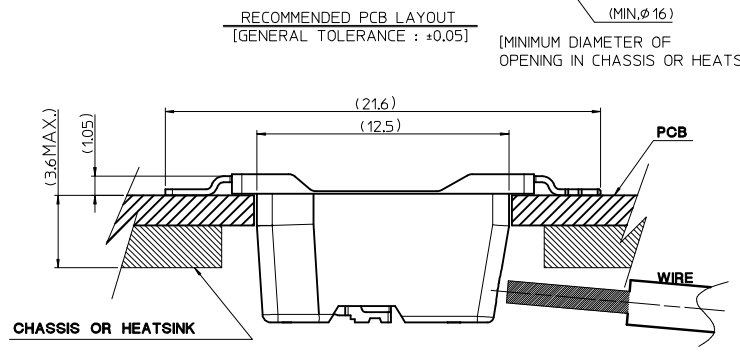
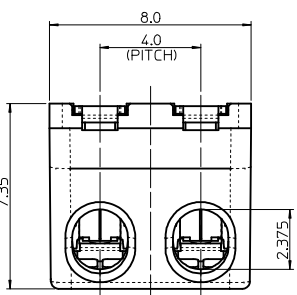
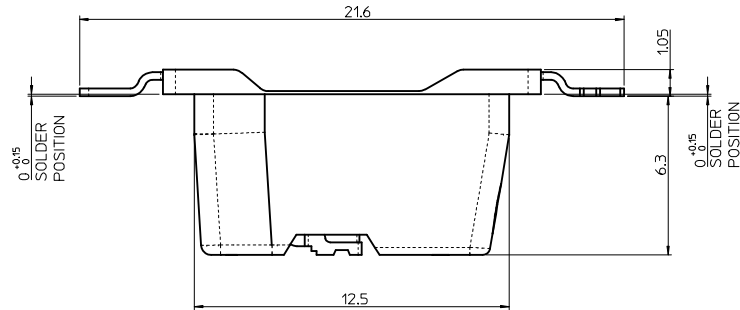
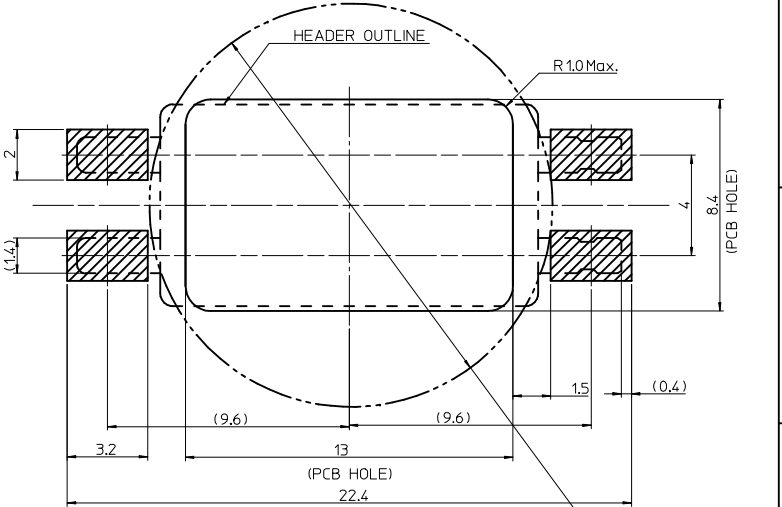
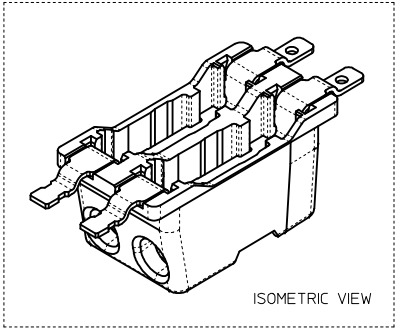
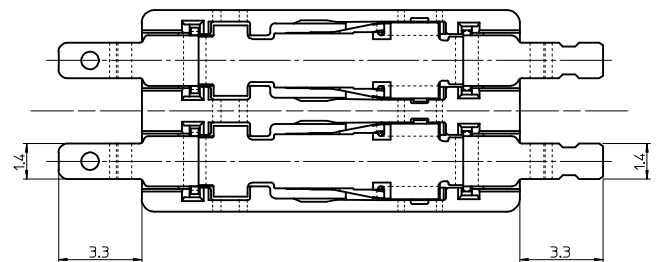
E

D

C

B

A



NOTE

- MATERIAL
 - HEADER : LIQUID CRYSTAL POLYMER(LCP)
UL94V-0, HALOGEN FREE, COLOR OF NATURAL
 - CONTACT TERMINAL : COPPER-ALLOY, 0.3mm THICKNESS
- PLATING
 - CONTACT TERMINAL : TIN -PLATED
0.84μm MINIMUM TIN PLATING
- PRODUCT SPECIFICATION : PS-104266-001
- PACKAGING SPECIFICATION : PK-104266-001
- COPLANALITY OF SOLDER TAILS (PEAK TEMP. : 260°C), BEFORE & AFTER REFLOW : 0.08 MAX.
- APPLICABLE SOLID WIRE RANGE : (OUTSIDE WIRE INSULATION : 2.1mm DIAMETER MAX.)
 - SOLID WIRE : AWG #24~#18
 - STRAND WIRE : AWG #24~#20

RELEASED EC NO: KOR2016-0078 DRWN: SCHONG03 2016/02/20 CHKD: SHCHU 2016/02/20 APPR: YSK1M02 2016/03/03	DESCRIPTION QUALITY SYMBOLS ▽=0 ◻=0	GENERAL TOLERANCES (UNLESS SPECIFIED)		DIMENSION STYLE MM ONLY		SCALE 5:1	DESIGN UNITS METRIC	THIRD ANGLE PROJECTION			
		4 PLACES ± --- ± ---	3 PLACES ± --- ± ---	DRAWN BY SCHONG03	DATE 2016/02/20	TITLE LITE TRAP CONN. BOTTOM ENTRY TYPE HEADER ASS'Y 2CKTS					
		2 PLACES ± 0.15 ± ---	1 PLACE ± 0.20 ± ---	CHECKED BY SHCHU	DATE 2016/02/20	MATERIAL NO. 1042660210					
		0 PLACE ± --- ± ---	ANGULAR ± 1 °	APPROVED BY YSK1M02	DATE 2016/03/03	DOCUMENT NO. SD-104266-003					
DRAFT WHERE APPLICABLE MUST REMAIN WITHIN DIMENSIONS		SIZE A3		THIS DRAWING CONTAINS INFORMATION THAT IS PROPRIETARY TO MOLEX INCORPORATED AND SHOULD NOT BE USED WITHOUT WRITTEN PERMISSION							