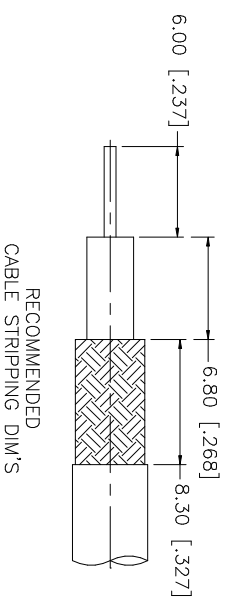
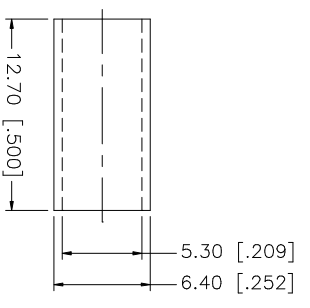
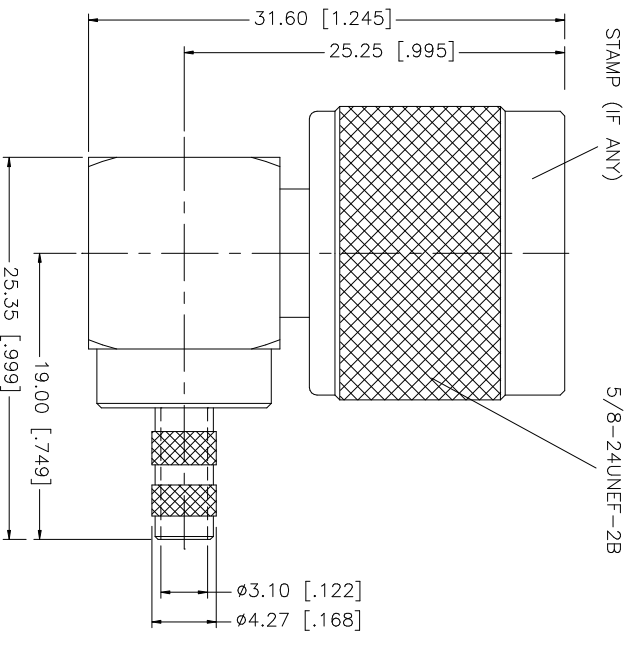


REV.	DATE	DESCRIPTION
A	01/07/04	MODIFY BODY LENGTH / COVER / UPDATE FORMAT



NOTE:  
 1. CRIMPED FERRULE  
 HEX. CRIMP SIZE .213"  
 2. CONTACT PIN TO SOLDER.

QTY	FINISH	MATERIAL	DESCRIPTION
1	NEXCOTE	BRASS	INSULATOR
1	NEXCOTE	BRASS	CONTACT PIN
1	NEXCOTE	BRASS	FERRULE
1	NEXCOTE	COPPER	CLAMP NUT

APPROVALS	DATE
G.R.S.	01/07/04

CAD FILE	DWG. NO.	REV.	SIZE	SCALE
C:/172/172177.DWG	172177.DWG	A	A	NA

DO NOT SCALE DRAWING
UNLESS OTHERWISE SPECIFIED DIMENSIONS ARE IN MILLIMETERS. DIMENSIONS IN [ ] ARE IN INCHES AND FOR CUSTOMER REFERENCE ONLY. TOLERANCES FOR MILLIMETERS ARE: 0.5 - 8mm ± 0.20mm 8 - 30mm ± 0.40mm 30 - 120mm ± 0.50mm UNLESS OTHERWISE SPECIFIED TOLERANCES FOR INCHES ARE: .020 - .315 = ± 0.007" .315 - 1.180 = ± 0.015" 1.180 - 4.724 = ± 0.020"

ISSUED	CHECKED
SHEET 1 OF 1	

PART DESCRIPTION	PART NO.
N R/A CRIMP PLUG (FOR RG-58/U, 58C/U CABLE)	172177