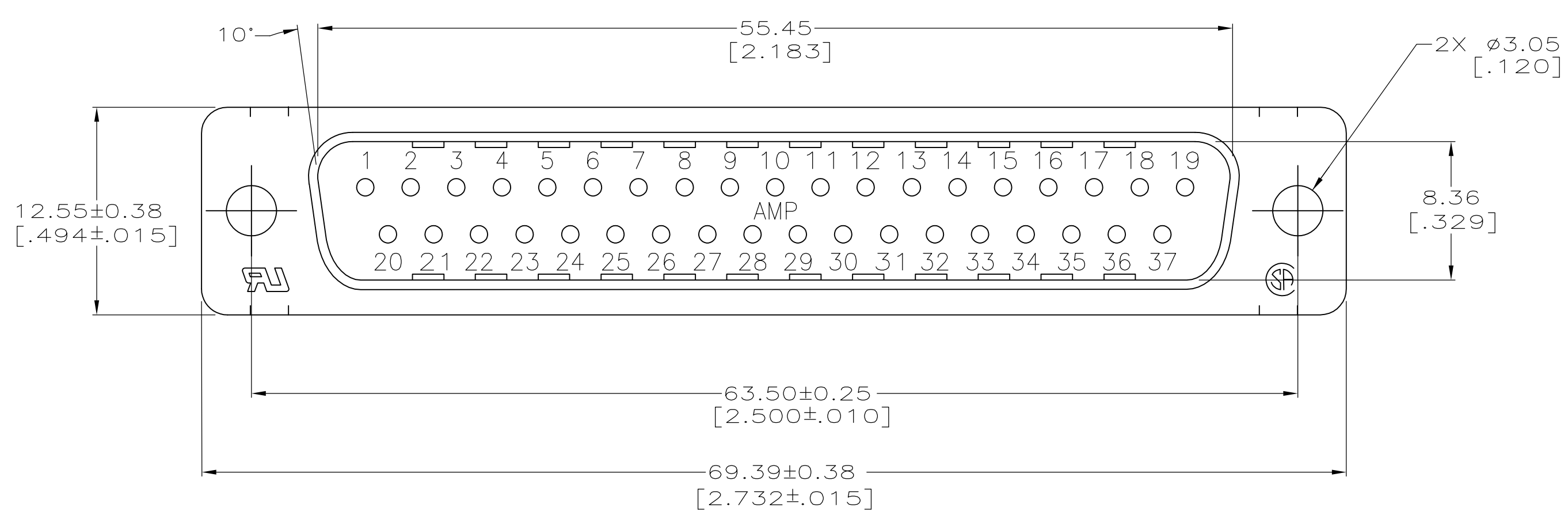
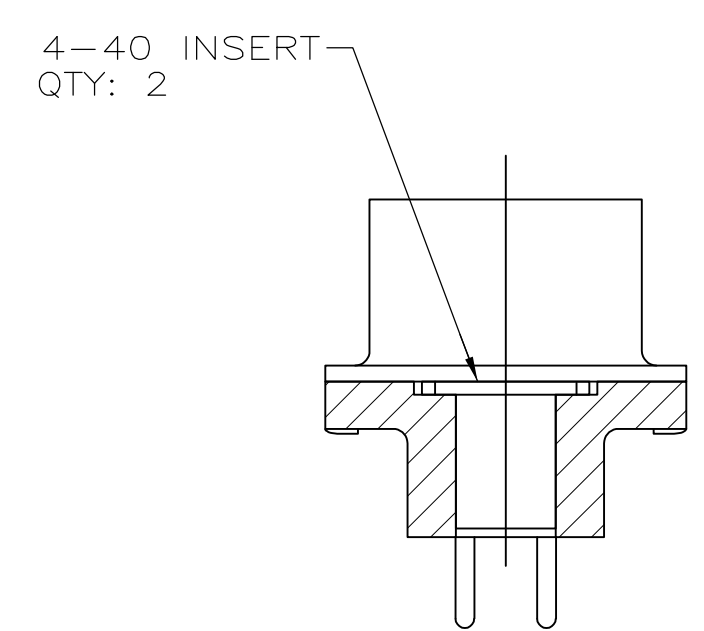
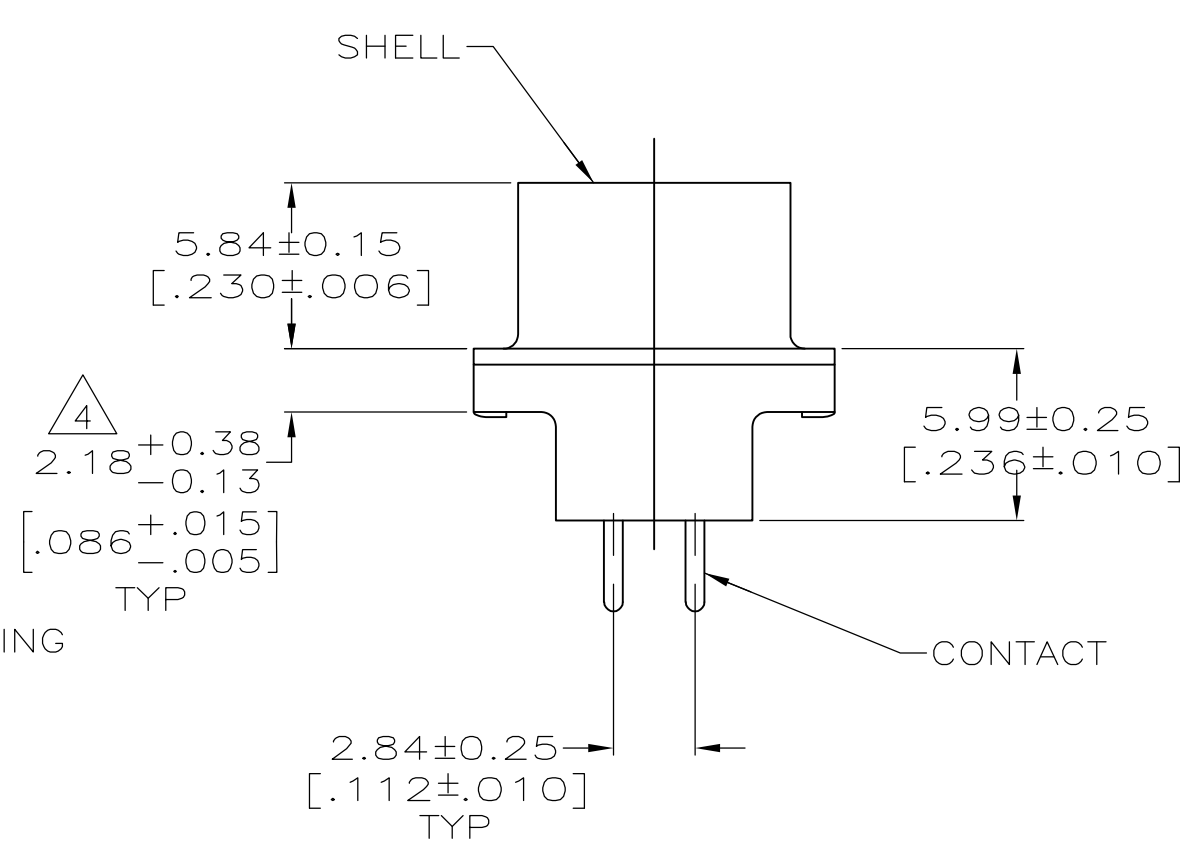
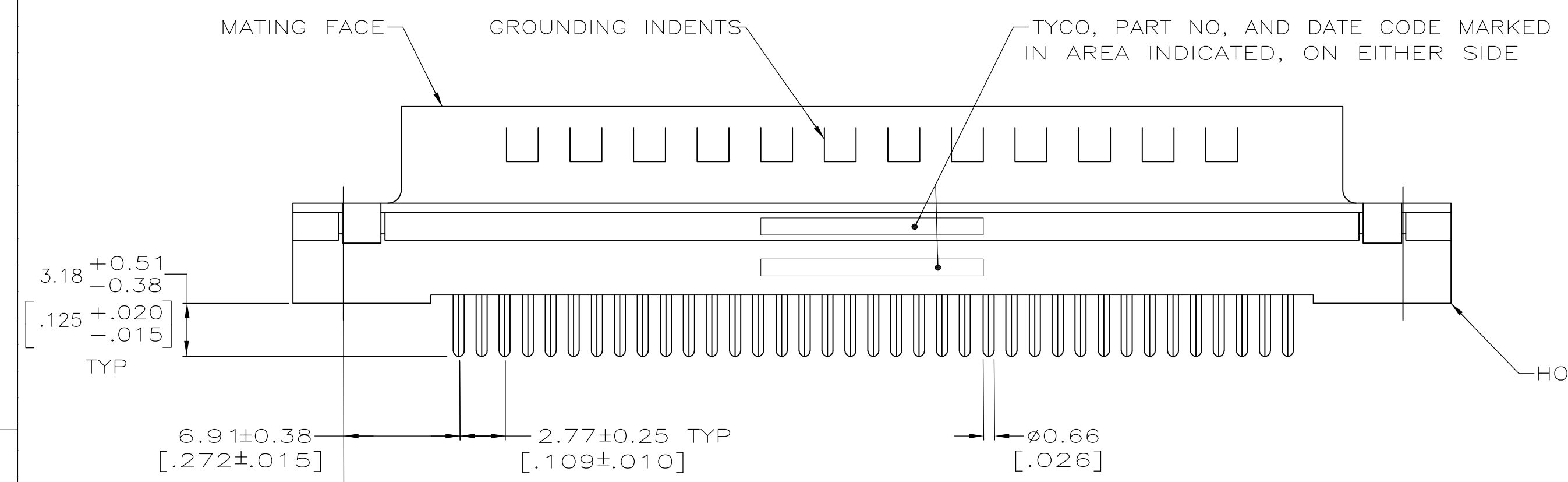


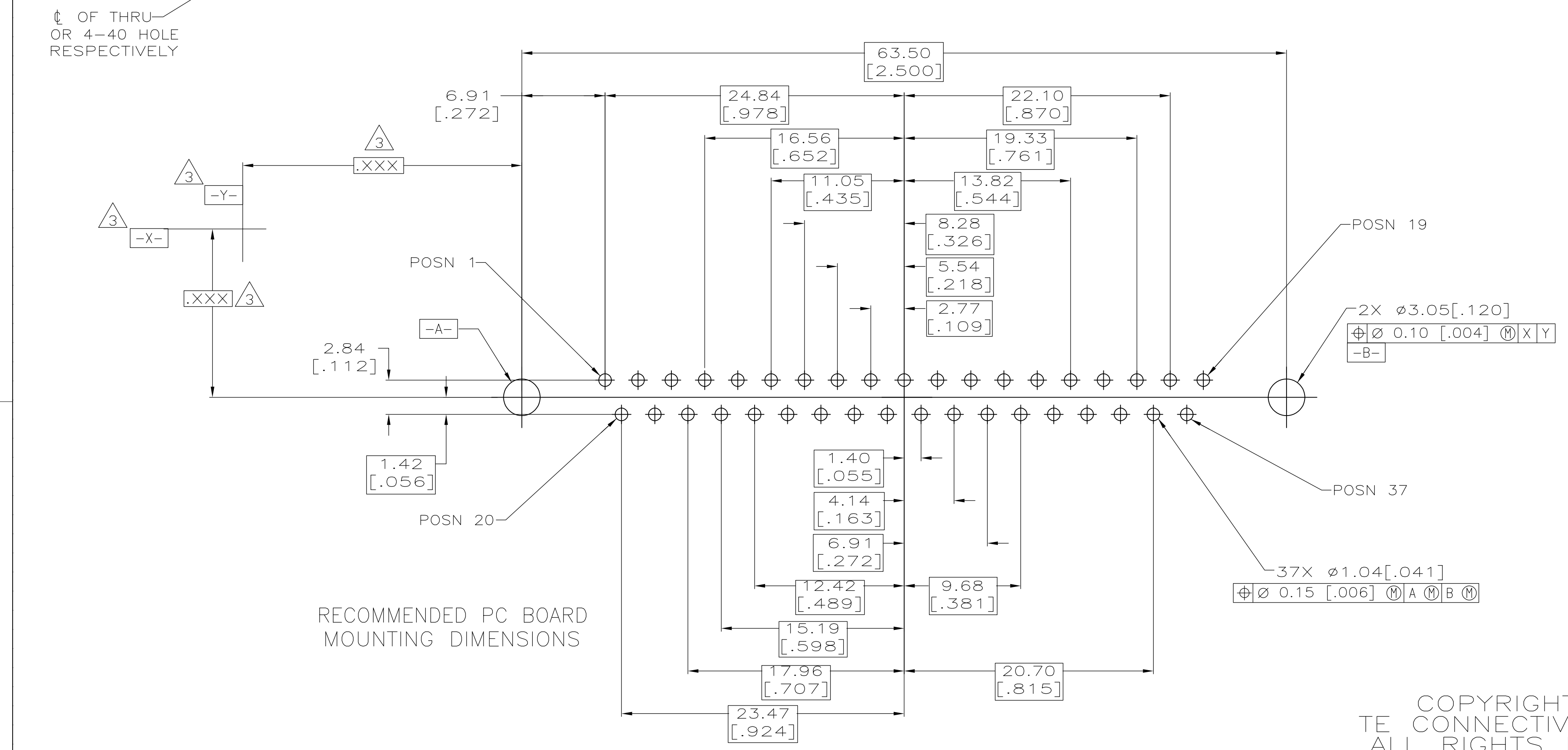
| LOC | DIST | REVISIONS | | | |
|-----|------|---------------------------|---------|-----|------|
| P | LR | DESCRIPTION | DATE | DWN | APVD |
| B1 | | REVISED PER ECO-11-004835 | 11MAR11 | RK | HMR |



- 1 HOUSING: BLACK POLYESTER, UL 94V-0 RATED
CONTACTS: BRASS
SHELL: CARBON STEEL
INSERTS: BRASS
- 2 SHELLS: 5.08µm[.000200] MIN TIN OVER 2.54µm[.000100] MIN COPPER.
CONTACTS: GOLD PLATED FOR A LENGTH OF 3.81 [.150] FROM MATING END, 0.76µm[.000030] MIN GOLD IN MATED AREA, 2.54µm[.000100] MIN TIN ON OPPOSITE END, ALL OVER 1.27µm[.000050] MIN NICKEL.
-OR-
GOLD FLASH OVER PALLADIUM NICKEL PLATED FOR A LENGTH OF 3.81 [.150] FROM MATING END, 0.76µm[.000030] MIN PALLADIUM NICKEL IN MATED AREA, 2.54µm[.000100] MIN TIN ON OPPOSITE END, ALL OVER 1.27µm[.000050] MIN NICKEL.
INSERTS: UNPLATED
- 3 DATUMS AND BASIC DIMENSIONS ESTABLISHED BY CUSTOMERS
- 4 2.79 [.110] MAX IN SHELL TAB CLINCH AREAS



DETAIL D



RECOMMENDED PC BOARD MOUNTING DIMENSIONS

COPYRIGHT 2005
TE CONNECTIVITY CORP
ALL RIGHTS RESERVED

| | |
|------------------------|-----------|
| 4-40 INSERT (DETAIL D) | 5747375-8 |
| - | 5747375-2 |
| MOUNTING HARDWARE | PART NO |

| | | | | | |
|--|--|---------------------------|--|--|--|
| THIS DRAWING IS A CONTROLLED DOCUMENT. | | DWN B. LATTUCA 23SEPT05 | | TE Connectivity | |
| DIMENSIONS: mm[INCHES] | | CHK S. BOLASH 23SEPT05 | | NAME | |
| 0 PLC ± - | | APVD M. WALMSLEY 23SEPT05 | | 108-40025 | |
| 1 PLC ± - | | PRODUCT SPEC | | PLUG ASSEMBLY, SIZE 4, 37 POSITION, VERTICAL, FRONT METAL SHELL, AMPLIMITE HD-20 | |
| 2 PLC ± 0.13 [005] | | APPLICATION SPEC | | 114-40023 | |
| 3 PLC ± - | | MATERIAL | | SIZE CAGE CODE DRAWING NO | |
| 4 PLC ± - | | FINISH | | A1 00779 C=5747375 | |
| ANGLES ± - | | CUSTOMER DRAWING | | REVISIONS | |
| WEIGHT - | | SCALE 4:1 | | SHEET 1 OF 1 | |
| REV B1 | | | | | |