

1 2 3 4 5 6 7

A B C D E F

A B C D E F

Technical drawings of the ASSMANN ASS 5707 CO connector. The drawings include a top view showing 8 pins with a pitch of 1.27mm and a total width of 15.4mm. A side view shows a height of 14.0mm and a pin height of 3.0mm. A PCB layout view shows a component width of 14.60mm and a pin pitch of 1.27mm x 7 = 8.89mm. Dimensions for the PCB layout include a pin width of 0.70mm, a pin spacing of 1.27mm, a component width of 14.60mm, a pin height of 3.40mm, a tail width of 3.0mm, and a tail spacing of 9.5mm. A note indicates the housing is made of Mylar.

**NOTES:**  
**Mechanical:**  
 1. Housing material : High Temp. UL94V-0 , Color: Black  
 2. Contact material: Phosphor Bronze t=0.35mm  
 3. Contact plating: Contact area---Selective Gold plating  
 Tails---Tin plated all over 50u" Nickel  
 4. Operating Life: 750 Cycles min.  
 5. PCB Retention Post-solder: 10 LBS min.

**Electrical:**  
 1. Voltage Rating: 125VAC.  
 2. Current Rating: 1.5AMP.  
 3. Contact Resistance: 30mΩ max.  
 4. Insulation Resistance: 1000MΩ min. @ 500 VDC  
 5. Dielectric Strength: 1000 VAC 60Hz, 1 min.

**Environmental:**  
 1. Storage: -40°C To +85°C  
 2. Operation: -40°C~+85°C  
 3. IR Reflow Soldering Temperature: 255°C~265°C(5-10S)

Packing: 150pcs/Tape reel, 900pcs/Carton

Order code: A-2014-2-X-SMT-N

Contact plating:  
 1: Selective 15u" gold  
 2: Selective 30u" gold  
 3: Selective 50u" gold  
 4: Selective 6u" gold

**RoHS compliant**  
 Unit:mm

Scale	Free					Date	Name	Customer-No.	
TOLERANCE					Drawn	27.05.2013	Amy		
X.X	±0.20				Approved	16.04.2014	Amy	ASSMANN WSW-No.	
X.XX	±0.15							A-2014-2-X-SMT-N	
X.XXX	±0.10							Drawing-No.	
DIM	TOL	①	Add tape reel packing on page 2	16.04.2014	Amy	<b>ASSMANN</b> WSW components		<b>ASS 5707 CO</b>	rev01
		②	Drawn	27.05.2013	Amy			Replace	SHEET
Angle	±5°	Id.	Modification	Date	Name			1 / 2	

1 2 3 4 5 6 7

H

1

2

3

4

5

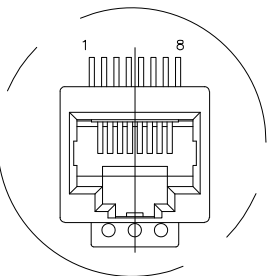
6

7

A

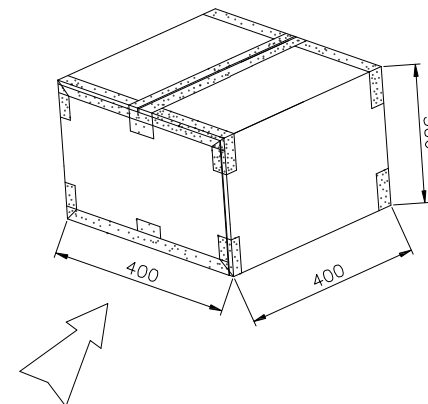
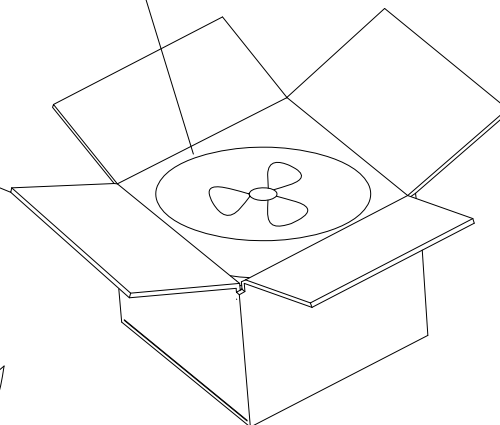
A

1.PRODUCT 1PCS



1.TOP ENTRY SMT 8P8C JACK  
 150 PCS/REEL  
 900PCS/CARTON

2.CARTON



B

B

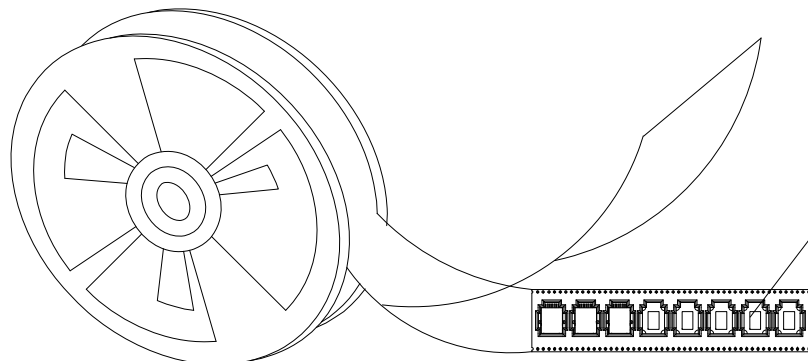
C

C

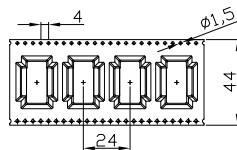
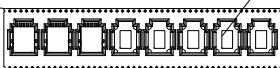
D

D

3.TAPE REEL



Keep 5pcs blank on  
 front and tail



E

E

F

F

**RoHS compliant**  
 Unit:mm

Scale	Free						Date	Name	Customer-No.
TOLERANCE						Drawn	27.05.2013	Amy	
X.X	±0.20					Approved	16.04.2014	Amy	ASSMANN WSW-No.
X.XX	±0.15								A-2014-2-X-SMT-N
X.XXX	±0.10								Drawing-No.
DIM	TOL	①	Add tape reel packing on page 2	16.04.2014	Amy			ASS 5707 CO	rev01
		②	Drawn	27.05.2013	Amy			Replace	SHEET 2 / 2
Angle	±5°	Id.	Modification	Date	Name				

G

G

H

H

1

2

3

4

5

6

7