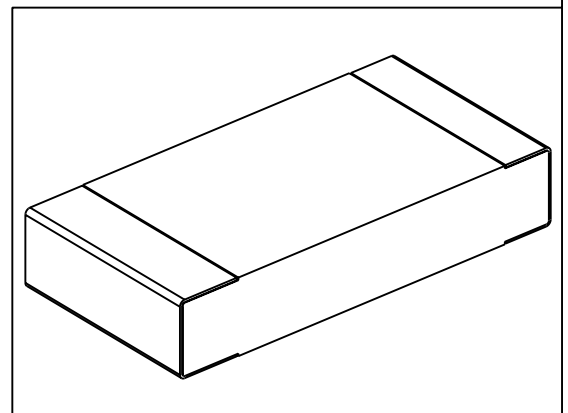
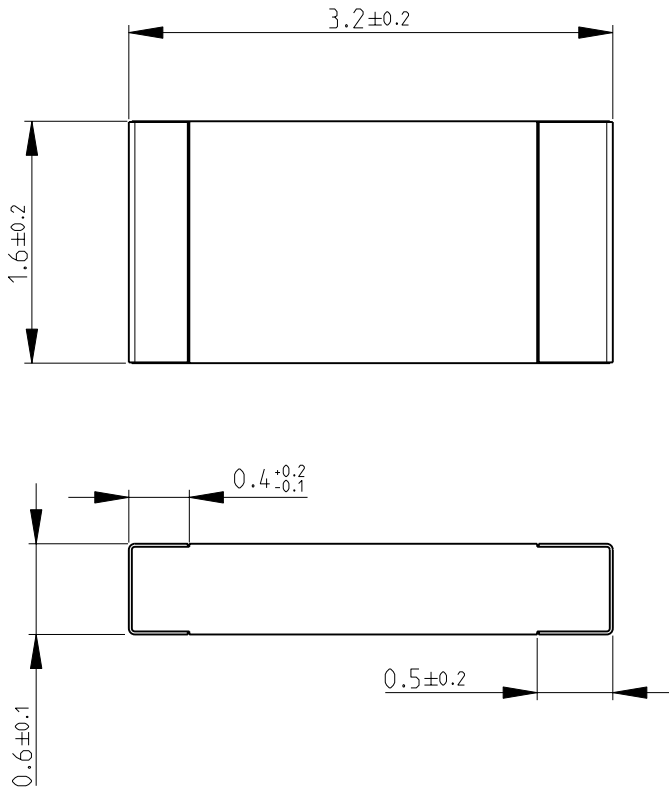


LOC	DIST	REVISIONS					
E	B	P	LTR	DESCRIPTION	DATE	DWN	APVD
			BA	NEW RELEASE	04MAY2010	PT	St.P

FOR FURTHER INFORMATION SEE DATA SHEET FOR  
RP73 SERIES-SMD HIGH POWER PRECISION RESISTORS



RoHS Compliant

2008

RELEASED FOR PUBLICATION

THIS DRAWING IS UNPUBLISHED.

BY TYCO ELECTRONICS CORPORATION. ALL RIGHTS RESERVED.

DIMENSIONS: mm	DWN	PARUSURAM.T	04MAY2010	MATERIAL	-	FINISH	-
	CHK	SUBHASH.M	04MAY2010	Tyco Electronics Corporation Dorcan, Swindon, SN3 5HH			
TOLERANCES UNLESS OTHERWISE SPECIFIED:	APVD	STEPHEN.P	04MAY2010				
0 PLC ±0.2	PRODUCT SPEC	-	-	NAME SMD HIGH POWER PRECISION RESISTORS SERIES RP73 - 2B			
1 PLC ±0.1	APPLICATION SPEC	-	-	SIZE	A 4	CAGE CODE	00779
2 PLC ±-	WEIGHT	-	-	DRAWING NO	C= 1879256		RESTRICTED TO
3 PLC ±-				SCALE 19:1			
4 PLC ±-				SHEET 1 OF 1			
ANGLES ±5°				REV BA			
	CUSTOMER DRAWING						