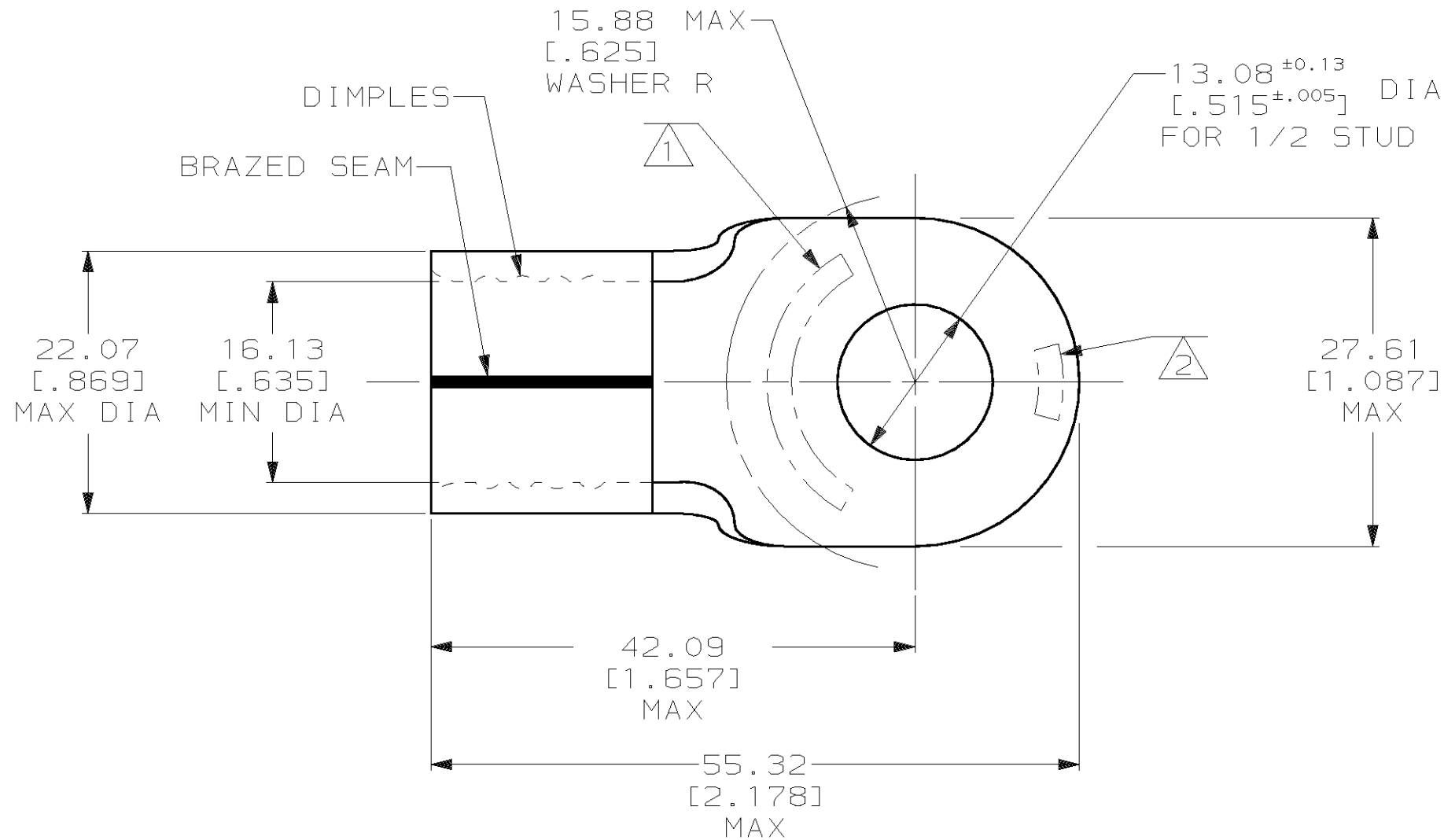


THIS DRAWING IS UNPUBLISHED. RELEASED FOR PUBLICATION, 19 .  
 © COPYRIGHT 19 BY AMP INCORPORATED. ALL INTERNATIONAL RIGHTS RESERVED.

LOC G	DIST 14	P	F	REVISIONS			DATE	APPD
				ZONE	LTR	DESCRIPTION		
					F	REV / 0G10-0049-99	06APR99	MLE MS

AMP PART NO	MATERIAL	PKG TYPE	QTY
8-321880-2	M/F 8-321880-0	BOX	50
8-321880-5	M/F 8-321880-0	SPL	5

<b>AMP WIRE RANGE</b>	<b>UL E13288 Listed</b>
4/0 AWG SOLID OR STRANDED	4/0 AWG SOLID OR STRANDED
<b>SIR LR7189 Certified</b>	<b>MILITARY P/N AND CLASS</b>
4/0 AWG SOLID OR STRANDED	MS 20659-124 CLASS 2



- ① STAMP AMP 4/0W\* APPROX AS SHOWN
- ② STAMP AMP 200 APPROX AS SHOWN
- 3 MATERIAL THK: 2.59 ±0.08 [.102 ±.003]

**AMP INCORPORATED  
CUSTOMER SERVICE SYSTEMS**

FOR ADDITIONAL PRODUCT INFORMATION OR COPIES OF DRAWINGS AND TECHNICAL DOCUMENTS	PRODUCT INFORMATION CENTER 1-800-522-6752
FOR APPLICATION TOOLING INFORMATION	TOOLING ASSISTANCE CENTER 1-800-722-1111
FOR ORDER ENTRY	1-800-526-5142

MAX RECOMMENDED OPERATING TEMPERATURE: 170°C MAX
VOLTAGE RATING: NOT APPLICABLE
WIRE CROSS SECTIONAL AREA RANGE: 96.3-117.0mm <sup>2</sup> [190,000-231,100] CIR MILS SOLID OR STRANDED
THIS DRAWING IS A CONTROLLED DOCUMENT FOR AMP INCORPORATED. IT IS SUBJECT TO CHANGE AND THE CONTROLLING ENGINEERING ORGANIZATION SHOULD BE CONTACTED FOR THE LATEST REVISION.

DO NOT SCALE PRINT. UNLESS SPECIFIED DIMENSIONS IN mm [INCHES] TOLERANCES ON: 2 PLC DEC ± 0.20[.008] 3 PLC DEC ± - ANGLES ± -	DR 5/25/93 DK SCHRUM
MATERIAL COPPER PER ASTM B-152 ANNEALED	CHK 1/27/94 RD HEIM
FINISH TIN PLATE 0.00254[.000100] MIN THK PER ASTM B 545	APPD 1/27/94 RE ROSER
	APPD 1/27/94 CR RHOADS
	PRODUCT SPEC -
	APPLICATION SPEC -
	WEIGHT -

<b>AMP</b> AMP Incorporated Harrisburg, PA 17105-3608		
NAME TERMINAL, RING TONGUE, SOLISTRAND™		
SIZE B	CAGE CODE 00779	DRAWING NO C-321880
SCALE 2:1	SHEET 1 OF 1	

321880  
PART NO