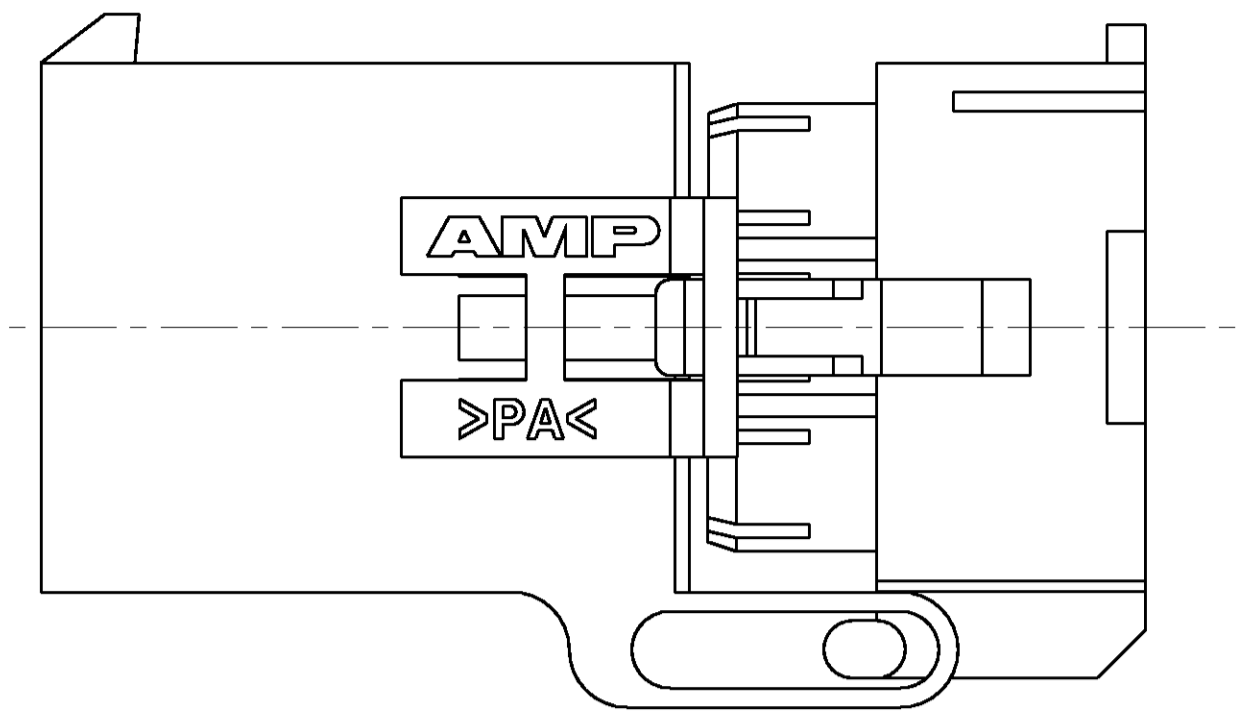
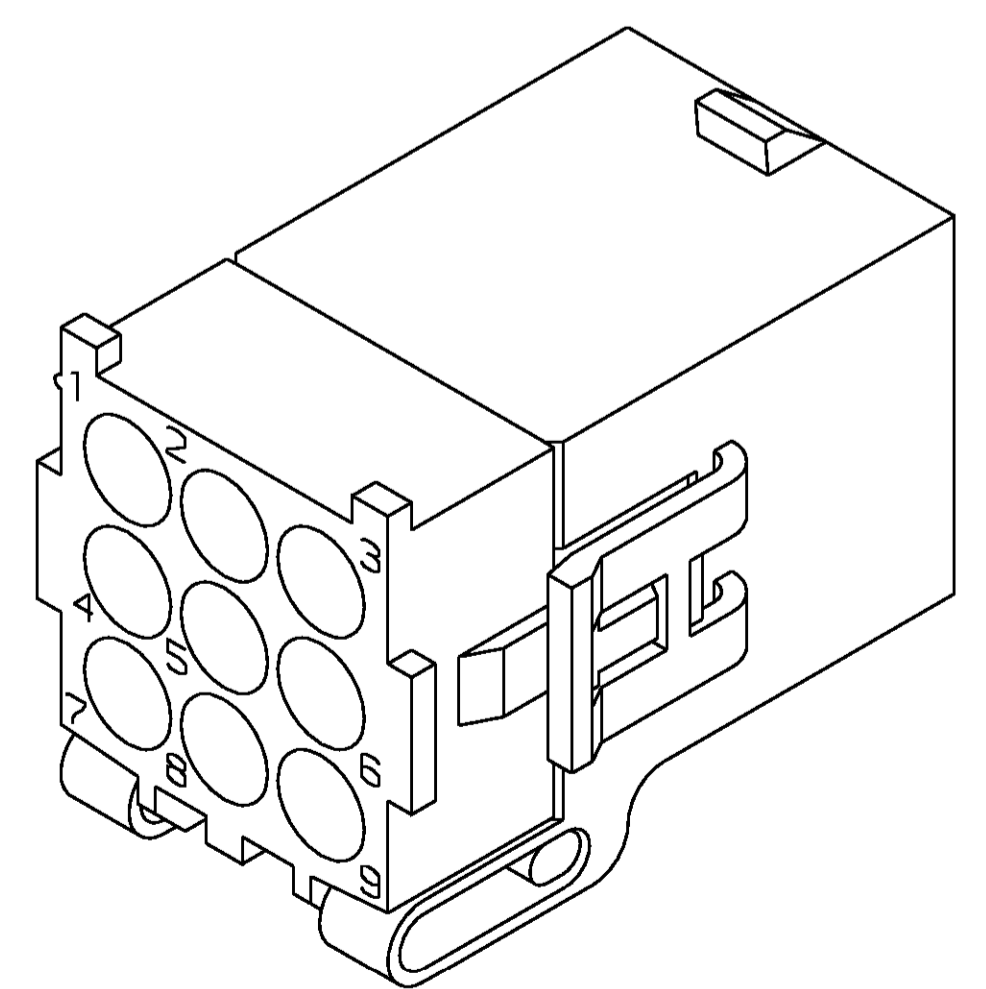
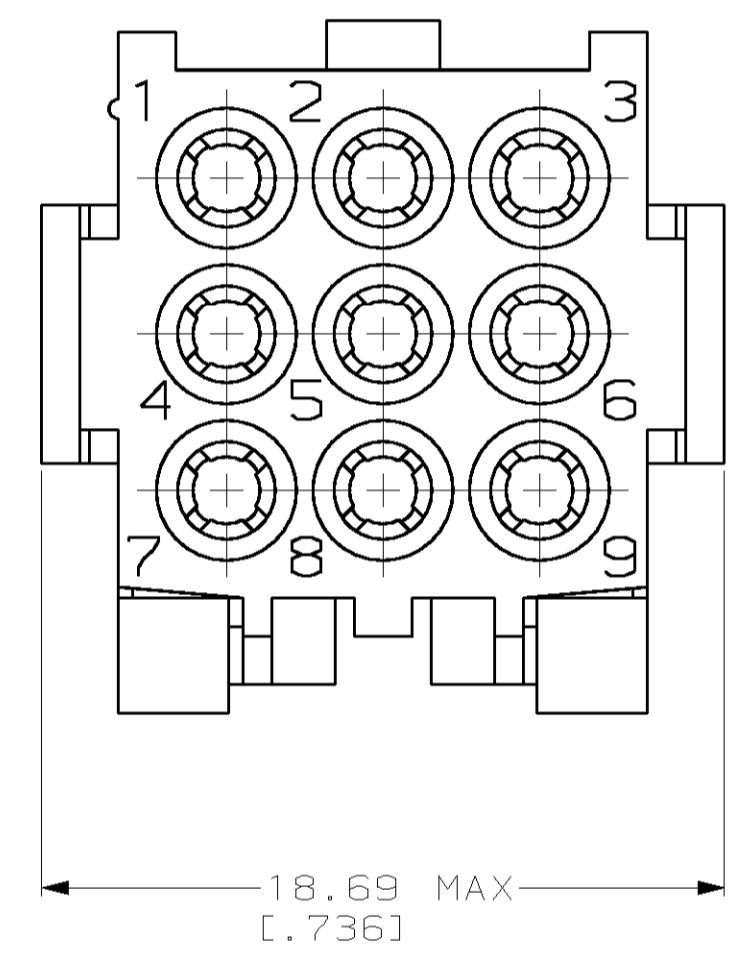
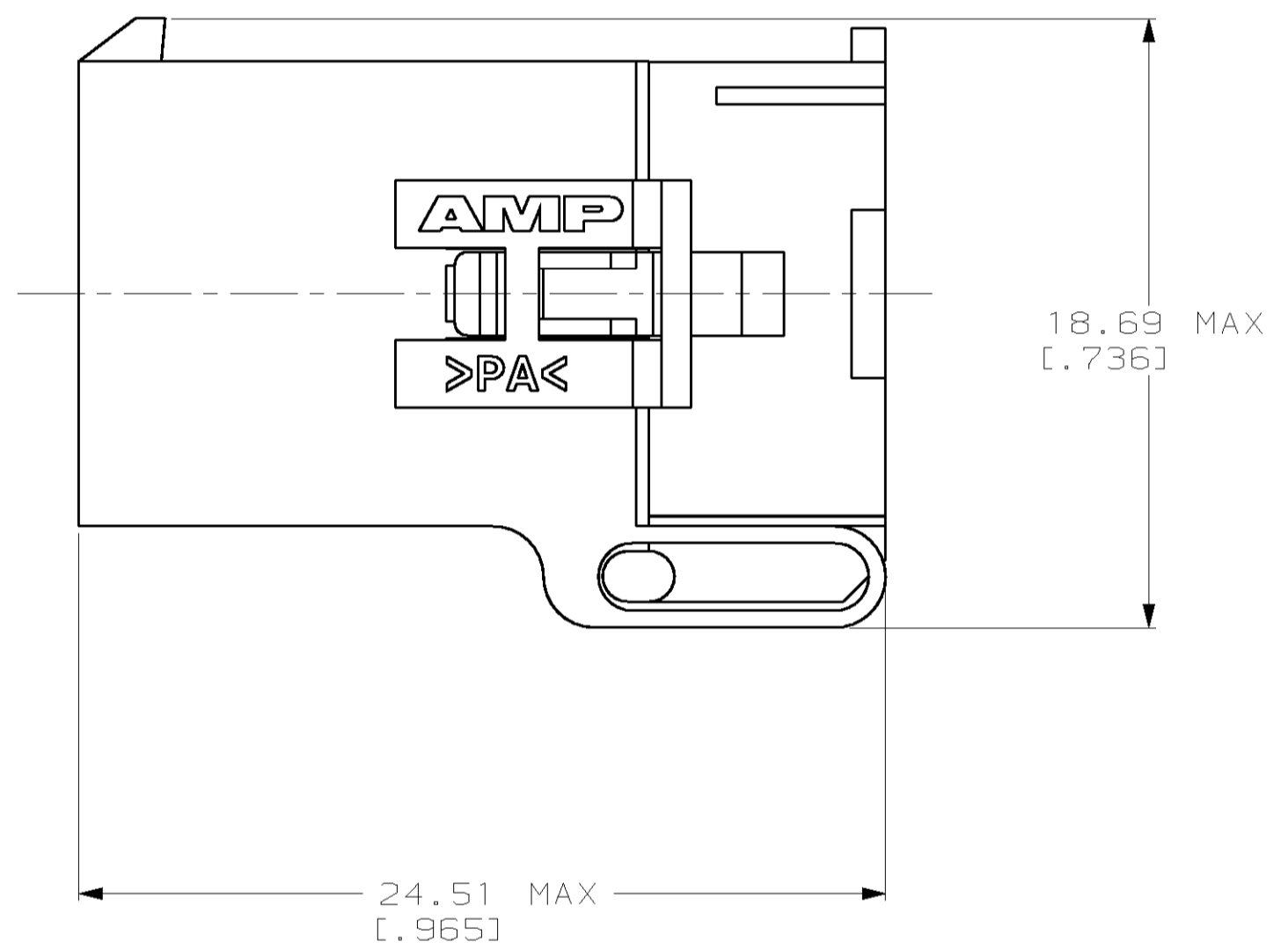
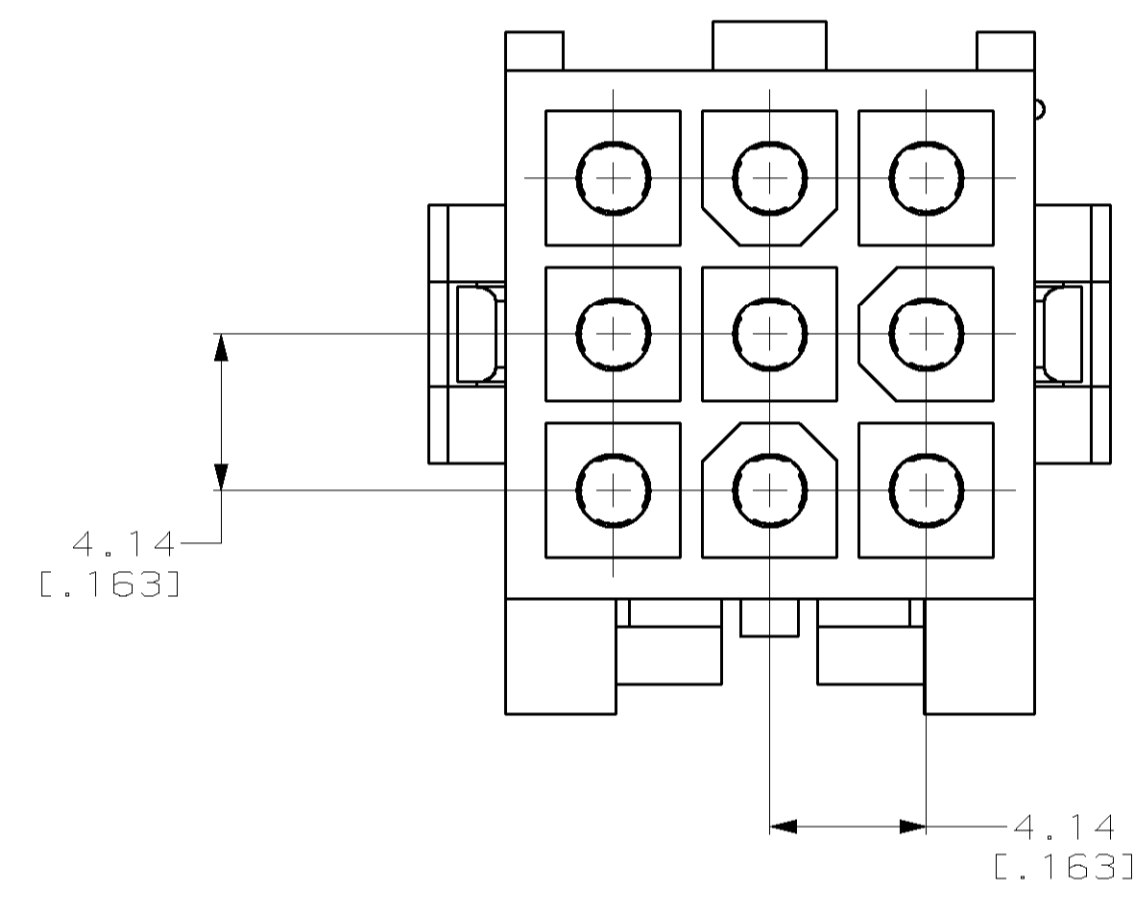


LOC	DIST	REV	PER	EC	DATE	OWN	APVD
CM	53	B	REV PER EC	061B-0094-99	23-SEP-99	KW	KC



PRE-STAGED CONDITION

1. DIMENSIONS IN BRACKETS ARE IN INCHES.



3-DIMENSIONAL MODEL  
NTS

794195-1  
PART NUMBER



THIS DRAWING IS A CONTROLLED DOCUMENT.		DWN K. WHITAKER	5-14-97	AMP Incorporated Harrisburg, PA 17105-3608
DIMENSIONS:		CHK R. SWING	5-14-97	
TOLERANCES UNLESS OTHERWISE SPECIFIED:		APVD R. ORSTAD	5-14-97	
mm		NAME		
0 PLC	±	PRODUCT SPEC		CAP, 9 CIRCUIT, MINI UNIVERSAL MATE-N-LOK™ 2
1 PLC	±	APPLICATION SPEC		
2 PLC	±0.13 [0.005]	SIZE	A1	
3 PLC	±	WEIGHT		
4 PLC	±	CAGE CODE	00779	00779
ANGLES	±	DRAWING NO	C-794195	
FINISH		RESTRICTED TO		
MATERIAL	NYLON, UL 94V-0, NATURAL	CUSTOMER DRAWING		
		SCALE	5:1	
		SHEET	1 of 1	
		REV	B	