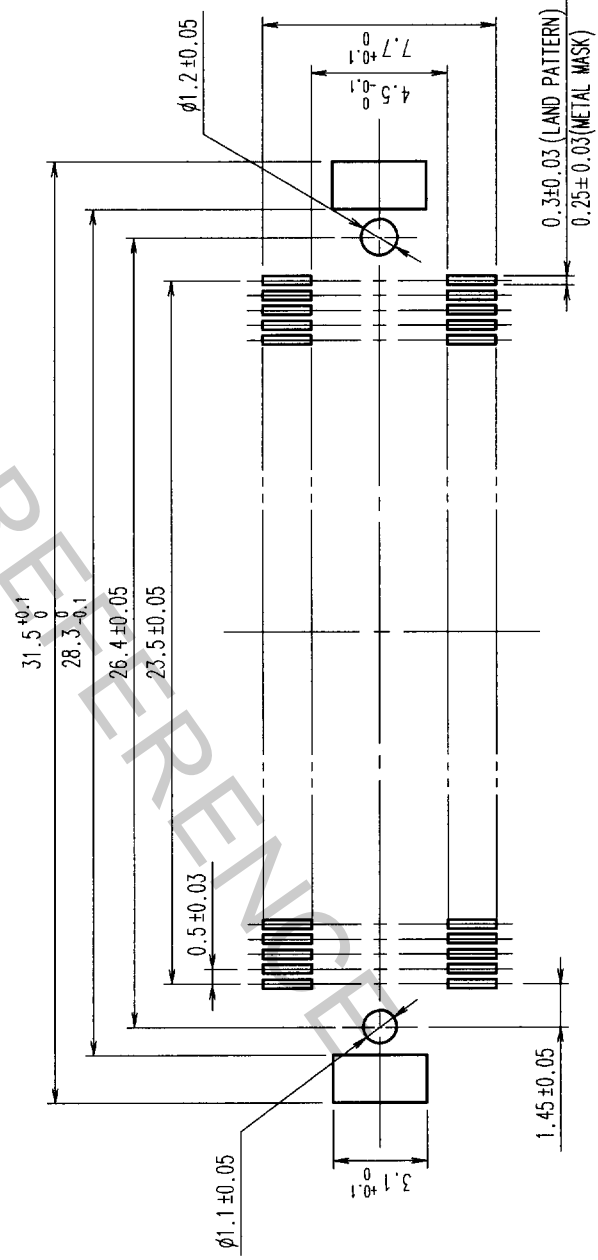


RECOMMENDED LAND PATTERN DIMENSION OF PCB



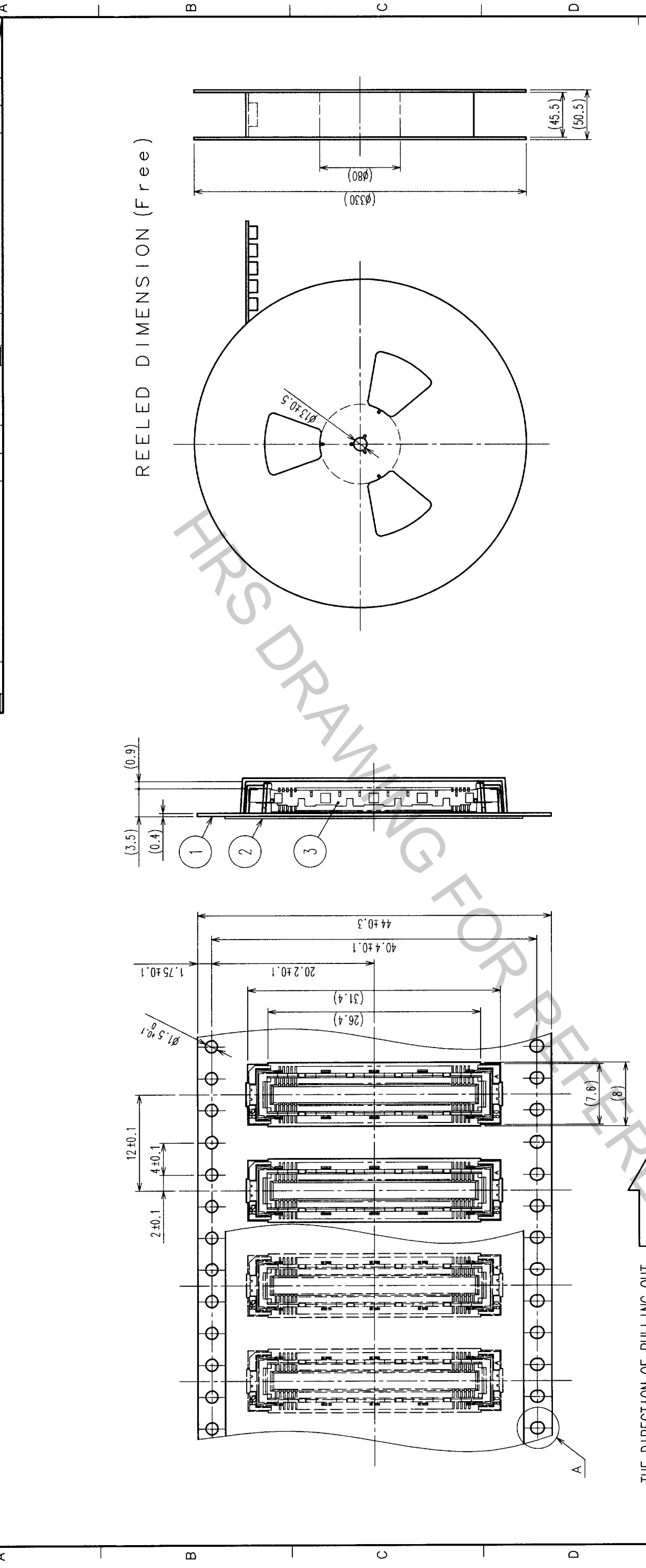
- NOTES
- 1 SMT LEAD-COPLANARITY: 0.1 MAX.
 - 2 THIS PRODUCT HAS NO POLARITY TO PATTERN FOR MOUNTING.
 - 3 EMBOSS CARRIER TAPE PACKAGE IS APPLIED ON THIS PRODUCT. PLEASE REFER TO THE SHEET 2/2 FOR THE DETAILS.

NO.	DESCRIPTION OF REVISIONS	BY	CHKD	DATE	COUNT	DESCRIPTION OF REVISIONS	BY	CHKD	DATE

PHOSPHOR BRONZE		CONTACT AREA: GOLD (0.1µm) OVER NICKEL		
LEAD: GOLD FLASH OVER NICKEL				
2	PHOSPHOR BRONZE			
1	LCP			
NO.	MATERIAL	FINISH, REMARKS	PHOSPHOR BRONZE MATERIAL	TIN PLATED
CODE NO. (OLD)			DESIGNED	CHECKED
CL			<i>J. Nakada</i>	<i>M. Sakata</i>
			00-01-07	00-01-11
			00-01-07	00-01-11
DRAWING NO.			PART NO.	
EDC3-151984-01			FX10A-96S-SV (21)	
SCALE 4 : 1				
UNITS mm				
HIROSE ELECTRIC CO., LTD.			CODE NO. CL570-0241-9-21	
TO PCK 			1 2	

COUNT	DESCRIPTION OF REVISIONS	BY	CHKD	DATE	COUNT	DESCRIPTION OF REVISIONS	BY	CHKD	DATE
△					△				
△					△				
△					△				

NO.	MATERIAL	FINISH, REMARKS	DRAWN	DESIGNED	CHECKED	APPROVED	RELEASED
2	PET	TOP COVER TAPE					
1	PS	EMBOSSED CARRIER TAPE					



THE DIRECTION OF PULLING OUT

NOTES

- 1 REEL: 1000 CONNECTORS.
- 2 MINIMUM 10 COMPARTMENTS FROM BOTH REEL ENDS REMAIN EMPTY.
- 3 THIS PRODUCT HAS NO POLARITY TO TAPE AND REEL PACKAGING.

NO.	MATERIAL	FINISH, REMARKS	DRAWN	DESIGNED	CHECKED	APPROVED	RELEASED
2	PET	TOP COVER TAPE					
1	PS	EMBOSSED CARRIER TAPE					

CODE NO. (OLD) CL	DRAWING NO. EDC3-151984-01	PART NO. FX10A-96S-SV(21)
SCALE 2 : 1		
UNITS (MM)		

DRAWING FOR PACKING	DRAWN J. Takada 20.01.07	DESIGNED J. Takada 20.01.07	CHECKED M. Sakata 20.01.11	APPROVED Y. Yamamoto 20.01.11	RELEASED
---------------------	--------------------------------	-----------------------------------	----------------------------------	-------------------------------------	----------

TO	
PCK	