

Seal - HC-B 16-FL-DI-N - 1411452

Please be informed that the data shown in this PDF Document is generated from our Online Catalog. Please find the complete data in the user's documentation. Our General Terms of Use for Downloads are valid (<http://phoenixcontact.com/download>)



Replacement flange seal, for HEAVYCON type B16 panel mounting base, latching, for panel mounting base with snapped-on flat gaskets, not for HC-....EMV housing, color: black



Key Commercial Data

Packing unit	1 pc
Minimum order quantity	10 pc
Weight per Piece (excluding packing)	4.0 g
Custom tariff number	40169300
Country of origin	Germany

Technical data

Ambient conditions

Ambient temperature (operation)	-40 °C ... 125 °C
---------------------------------	-------------------

General

Material	SEBS (thermoplastics)
Assembly instructions	Not for HC-...EMC housings
Connection	for panel mounting base with snapped on flat gasket

Classifications

eCl@ss

eCl@ss 5.1	27143424
eCl@ss 6.0	27143424
eCl@ss 8.0	27449290
eCl@ss 9.0	27440290

Seal - HC-B 16-FL-DI-N - 1411452

Classifications

ETIM

ETIM 4.0	EC002498
ETIM 5.0	EC002498

Approvals

Approvals

Approvals

EAC

Ex Approvals

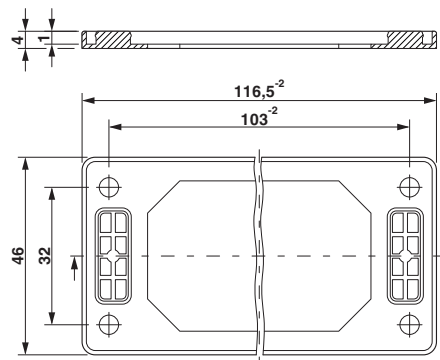
Approvals submitted

Approval details

EAC

Drawings

Dimensional drawing



Dimensional drawing
