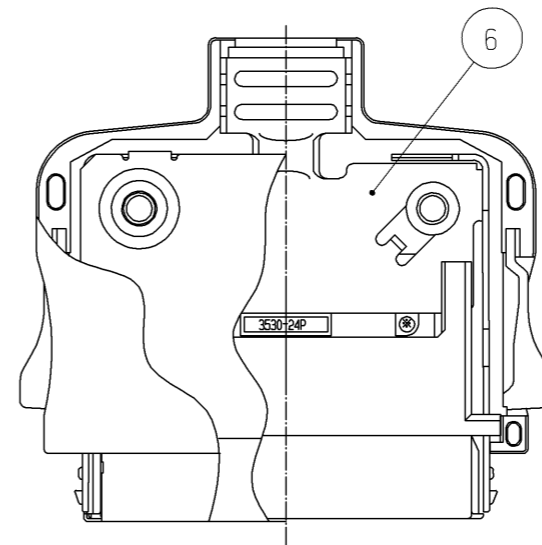
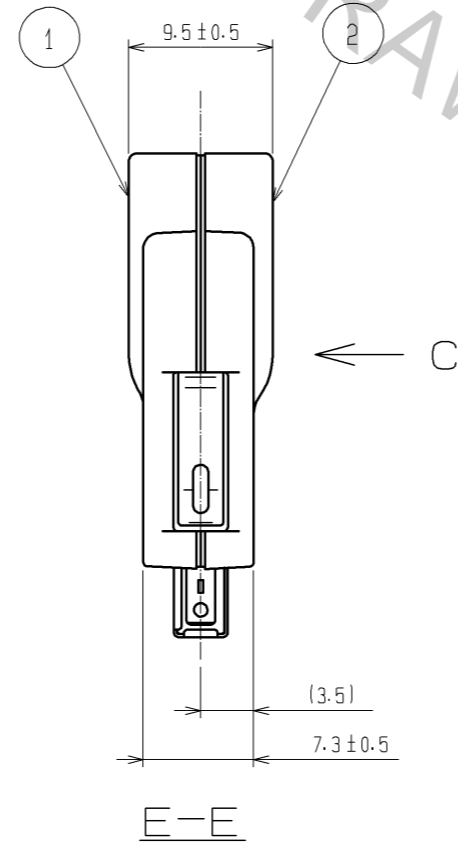
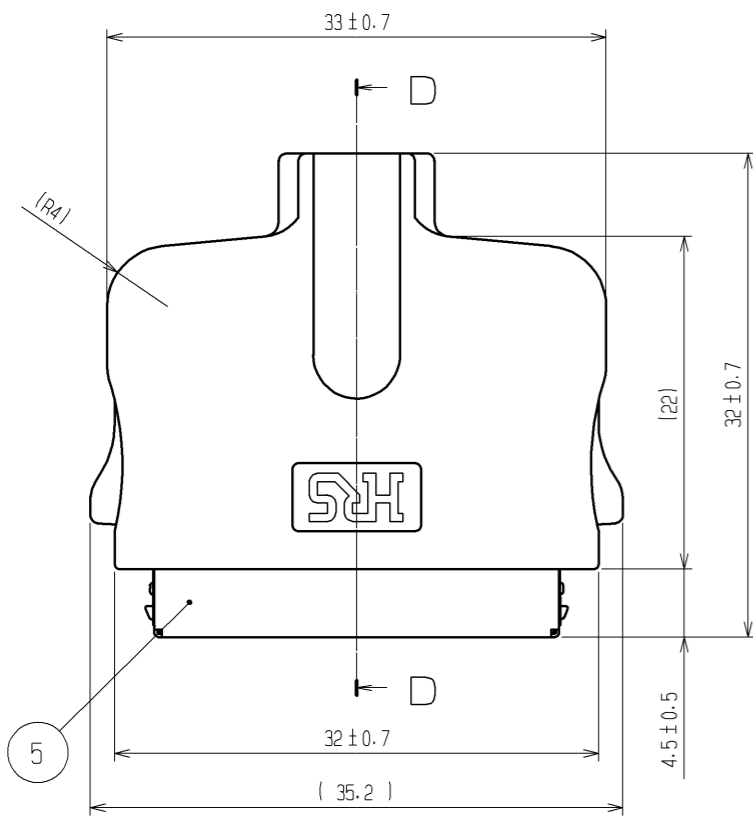
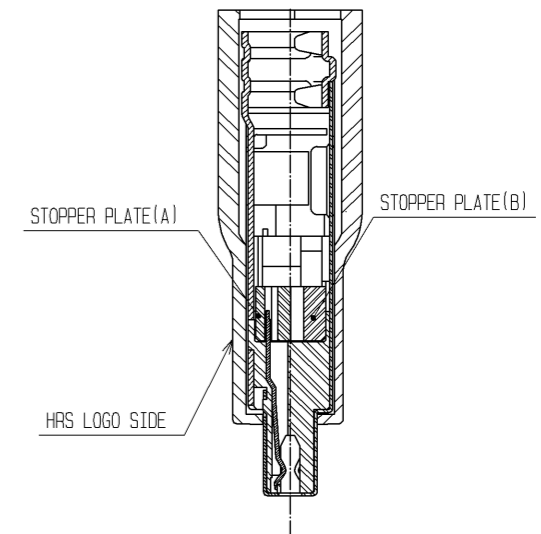


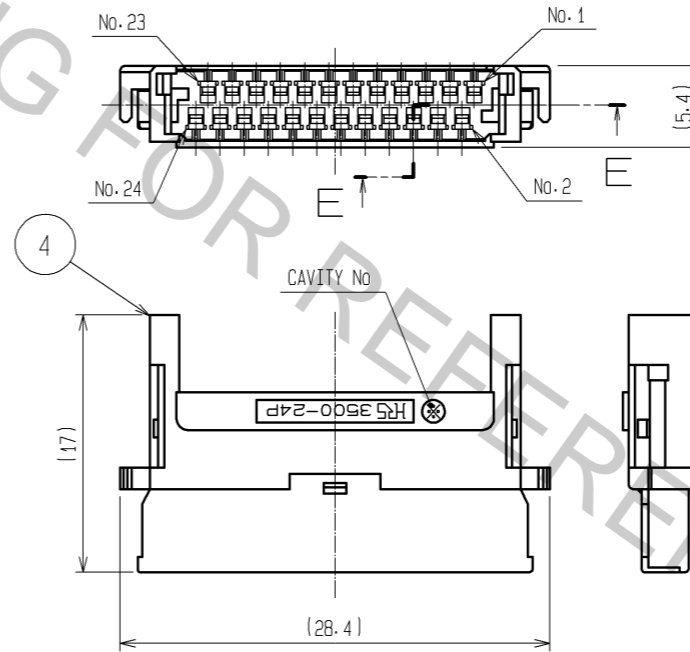
CONSTRUCTION (REFERENCE)



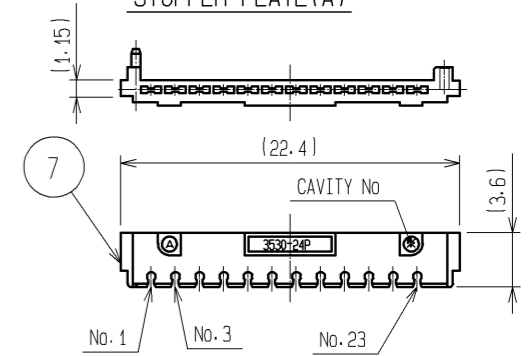
D-D



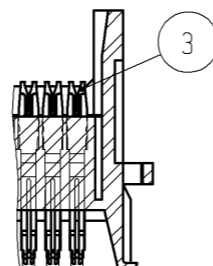
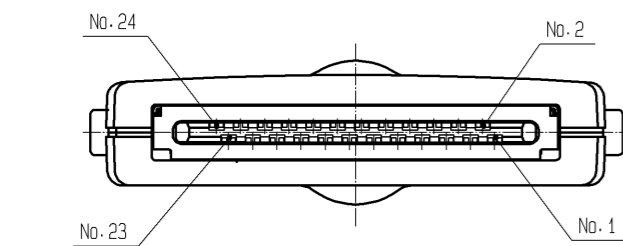
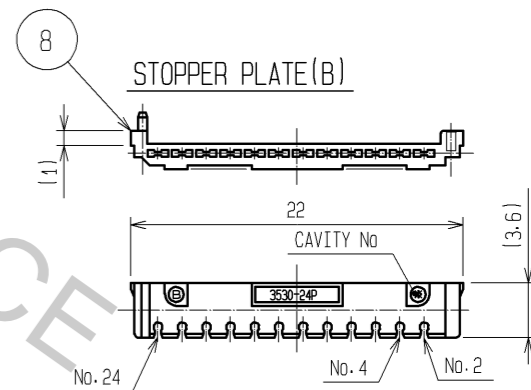
CONNECTOR UNIT



STOPPER PLATE(A)



STOPPER PLATE(B)



4	POLYAMIDE	(BLACK) UL94V-0	9	STEEL	(BLACK) TAPPING SCREW
3	BERYLLIUM COPPER	CONTACT AREA GOLD PLATING 0.76µm min TERMINAL AREA GOLD PLATING 0.03µm min UNDER PLATING NICKEL PLATING 1.27µm min	8	PBT	(BLACK) UL94V-0
			7	PBT	(BLACK) UL94V-0
2	POLYCARBONATE	(BLACK) UL94V-0	6	STAINLESS STEEL	
1	POLYCARBONATE	(BLACK) UL94V-0	5	STAINLESS STEEL	
NO.	MATERIAL	FINISH . REMARKS	NO.	MATERIAL	FINISH . REMARKS

NOTE. 1 THIS PRODUCT SHALL BE IN DISASSEMBLED CONDITION (EXCEPT CONNECTOR UNIT ③, ④) WHEN DELIVERED.  
2 MAKE SURE TO UNLOCK THE CONNECTOR BEFORE THE EXTRACTION.

UNITS mm		SCALE 2 : 1	COUNT 	DESCRIPTION OF REVISIONS	DESIGNED	CHECKED	DATE
APPROVED : HO. MIWA 07.07.13				DRAWING NO.	EDC3-124785-02		
CHECKED : SJ. SHIMIZU 07.07.12				PART NO.	3530A-24P-CV(57)		
DESIGNED : TS. ITO 07.07.11				CODE NO.	CL235-0024-9-57		
DRAWN : TS. ITO 07.07.11							