

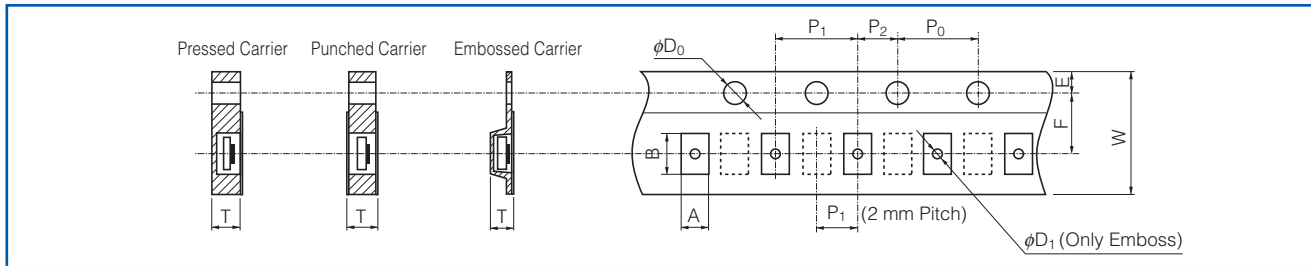
Surface Mount Resistors Series			Packaging (Standard Quantity : pcs./reel)			
Products	Part No.	Size mm (inch)	Pressed Carrier Taping (2 mm pitch)	Punched Carrier Taping (2 mm pitch)	Punched Carrier Taping (4 mm pitch)	Embossed Carrier Taping (4 mm pitch)
Thick Film Chip Resistors	ERJXGN	0402(01005)	20,000 *	—	—	4,0000 **
	ERJ1GN	0603(0201)	15,000	—	—	—
	ERJ2GE	1005(0402)	—	10,000, 20,000	—	—
	ERJ3GE	1608(0603)	—	—	5,000	—
	ERJ6GE	2012(0805)	—	—	5,000	—
	ERJ8GE	3216(1206)	—	—	5,000	—
	ERJ14	3225(1210)	—	—	—	5,000
	ERJ12	4532(1812)	—	—	—	5,000
	ERJ12Z	5025(2010)	—	—	—	5,000
	ERJ1T	6432(2512)	—	—	—	4,000
Precision Thick Film Chip Resistors	ERJXGN	0402(01005)	20,000	—	—	—
	ERJ1GN/1RH	0603(0201)	15,000	—	—	—
	ERJ2RH/2RK	1005(0402)	—	10,000	—	—
	ERJ3RB/3RE/3EK	1608(0603)	—	—	5,000	—
	ERJ6RB/6RE/6EN	2012(0805)	—	—	5,000	—
	ERJ8EN	3216(1206)	—	—	5,000	—
	ERJ14N	3225(1210)	—	—	—	5,000
	ERJ12N	4532(1812)	—	—	—	5,000
	ERJ12S	5025(2010)	—	—	—	5,000
ERJ1TN	6432(2512)	—	—	—	4,000	
Metal Film (Thin Film) Chip Resistors, High Reliability Type /High Sound Quality Type	ERA1A	0603(0201)	15,000	—	—	—
	ERA2A/2H	1005(0402)	—	10,000	—	—
	ERA3A	1608(0603)	—	—	5,000	—
	ERA6A	2012(0805)	—	—	5,000	—
	ERA8A	3216(1206)	—	—	5,000	—
Thick Film Chip Resistors/ Low Resistance Type	ERJ2LW/2BW	1005(0402)	10,000	—	—	—
	ERJ2BS/2BQ	1005(0402)	—	10,000	—	—
	ERJ3L/3B/3R/L03	1608(0603)	—	—	5,000	—
	ERJ6L/6B/6C ERJ6D/6R/L06	2012(0805)	—	—	5,000	—
	ERJ8B/8C/8R/L08	3216(1206)	—	—	5,000	—
	ERJ14B/14R/L14	3225(1210)	—	—	—	5,000
	ERJ12R/L12	4532(1812)	—	—	—	5,000
	ERJ12Z/L1D	5025(2010)	—	—	—	5,000
	ERJ1TR	6432(2512)	—	—	—	4,000
	ERJL1W	6432(2512)	—	—	—	3,000
Current Sensing Resistors, Metal Plate Type	ERJMP2	3216(1206)	—	—	—	3,000
	ERJMP3	5025(2010)	—	—	—	3,000
	ERJMP4	6432(2512)	—	—	—	2,000
	ERJMS4	6432(2512)	—	—	—	2,000
	ERJMS6	6468(2526)	—	—	—	1,000 (8 mm Pitch)
	ERJMB1	2550(1020)	—	—	—	3,000
	ERJM1W	6432(2512)	—	—	—	3,000

\* W8P2 : Width 8 mm, Pitch 2 mm, \*\* W4P1 : Width 4 mm, Pitch 1 mm  
 (1) Anti-Sulfurated High Power Chip Resistors / Wide Terminal Type

Surface Mount Resistors Series			Packaging (Standard Quantity : pcs./reel)			
Products	Part No.	Size mm (inch)	Pressed Carrier Taping (2 mm pitch)	Punched Carrier Taping (2 mm pitch)	Punched Carrier Taping (4 mm pitch)	Embossed Carrier Taping (4 mm pitch)
High Power Chip Resistors/ Wide Terminal Type	ERJA1	3264(1225)	—	—	—	4,000
	ERJB1/ERJC1 <sup>(1)</sup>	2550(1020)	—	—	—	5,000
	ERJB2	1632(0612)	—	—	5,000	—
	ERJB3	1220(0508)	—	—	5,000	—
High Precision/ Anti-Surge Thick Film Chip Resistors	ERJPA2	1005(0402)	—	10,000	—	—
	ERJPB3/P03/PA3	1608(0603)	—	—	5,000	—
	ERJPB6/P06	2012(0805)	—	—	5,000	—
	ERJP08	3216(1206)	—	—	5,000	—
Anti-Pulse Thick Film Chip Resistors	ERJP14	3225(1210)	—	—	—	5,000
	ERJT06	2012(0805)	—	—	5,000	—
	ERJT08	3216(1206)	—	—	5,000	—
Anti-Sulfurated Thick Film Chip Resistors	ERJT14	3225(1210)	—	—	—	5,000
	ERJU01	0603(0201)	15,000	—	—	—
	ERJS02/U02	1005(0402)	—	10,000	—	—
	ERJS03/U03	1608(0603)	—	—	5,000	—
	ERJS06/U06 ERJU6S/U6Q/UP6	2012(0805)	—	—	5,000	—
	ERJS08/U08	3216(1206)	—	—	5,000	—
	ERJS14/U14	3225(1210)	—	—	—	5,000
	ERJS12/U12	4532(1812)	—	—	—	5,000
Chip Resistor Array	ERJS1D/U1D	5025(2010)	—	—	—	5,000
	ERJS1T/U1T	6432(2512)	—	—	—	4,000
	EXB14V	0806(0302)	—	10,000	—	—
	EXB24V	1010(0404)	—	10,000	—	—
	EXB34V	1616(0606)	—	—	5,000	—
	EXBV4V	1616(0606)	—	—	5,000	—
	EXB18V	1406(0502)	—	10,000	—	—
	EXB28V	2010(0804)	—	10,000	—	—
	EXBN8V	2010(0804)	—	10,000	—	—
	EXB38V	3216(1206)	—	—	5,000	—
	EXBV8V	3216(1206)	—	—	5,000	—
Anti-Sulfurated Chip Resistor Array	EXBS8V	5022(2009)	—	—	—	2,500
	EXB2HV	3816(1506)	—	—	5,000	—
	EXBU14	0806(0302)	—	10,000	—	—
	EXBU18	1406(0502)	—	10,000	—	—
	EXBU24	1010(0404)	—	10,000	—	—
	EXBU34	1616(0606)	—	—	5,000	—
Chip Resistor Networks	EXBU28	2010(0804)	—	10,000	—	—
	EXBU38	3216(1206)	—	—	5,000	—
	EXBU2H	3816(1506)	—	—	5,000	—
	EXBD	3216(1206)	—	—	5,000	—
Chip Attenuator	EXBE	4021(1608)	—	—	—	4,000
	EXBA	6431(2512)	—	—	—	4,000
	EXBQ	3816(1506)	—	—	5,000	—
Chip Attenuator	EXB14AT	0806(0302)	—	10,000	—	—
	EXB24AT	1010(0404)	—	10,000	—	—

(1) Anti-Sulfurated High Power Chip Resistors / Wide Terminal Type

## Carrier Tape



## Pressed Carrier Taping (2 mm Pitch)

● Chip Resistors / Precision Chip / Metal Film(Thin Film)Chip / Low Resistance / Anti-Surge / Anti-Sulfur (Unit : mm)

Part No.	Size mm (inch)	A	B	W	F	E	P <sub>1</sub>	P <sub>2</sub>	P <sub>0</sub>	φD <sub>0</sub>	T
ERJXGN	0402(01005)	0.24 <sup>±0.03</sup>	0.45 <sup>±0.03</sup>	8.00 <sup>±0.20</sup>	3.50 <sup>±0.05</sup>	1.75 <sup>±0.10</sup>	2.00 <sup>±0.10</sup>	2.00 <sup>±0.05</sup>	4.00 <sup>±0.10</sup>	1.50 <sup>+0.10</sup> <sub>0</sub>	0.31 <sup>±0.05</sup>
ERJ1GN ERJ1R□ ERJU01 ERA1A	0603 (0201)	0.38 <sup>±0.05</sup>	0.68 <sup>±0.05</sup>								0.42 <sup>±0.05</sup>
ERJ2LW	1005(0402)	0.68 <sup>±0.10</sup>	1.20 <sup>±0.10</sup>								0.60 <sup>±0.05</sup>
ERJ2BW	1005(0402)	0.67 <sup>±0.10</sup>	1.17 <sup>±0.10</sup>								0.61 <sup>±0.05</sup>

## Punched Carrier Taping (2 mm Pitch)

● Chip Resistors / Precision Chip / Metal Film(Thin Film)Chip / Low Resistance / Anti-Surge / Anti-Sulfur (Unit : mm)

Part No.	Size mm (inch)	A	B	W	F	E	P <sub>1</sub>	P <sub>2</sub>	P <sub>0</sub>	φD <sub>0</sub>	T
ERJ2□ ERJPA2 ERJ□□2 ERA2□	1005 (0402)	0.67 <sup>±0.05</sup>	1.17 <sup>±0.05</sup>	8.00 <sup>±0.20</sup>	3.50 <sup>±0.05</sup>	1.75 <sup>±0.10</sup>	2.00 <sup>±0.10</sup>	2.00 <sup>±0.05</sup>	4.00 <sup>±0.10</sup>	1.50 <sup>+0.10</sup> <sub>0</sub>	0.52 <sup>±0.05</sup>

● Chip Resistor Array / Anti-Sulfurated Chip Resistor Array / Chip Attenuator (Unit : mm)

Part No.	Size mm (inch)	A	B	W	F	E	P <sub>1</sub>	P <sub>2</sub>	P <sub>0</sub>	φD <sub>0</sub>	T
EXB14V EXB14AT	0806 (0302)	0.70 <sup>±0.05</sup>	0.95 <sup>+0.05</sup> <sub>-0.10</sub>	8.00 <sup>±0.20</sup>	3.50 <sup>±0.05</sup>	1.75 <sup>±0.10</sup>	2.00 <sup>±0.10</sup>	2.00 <sup>±0.05</sup>	4.00 <sup>±0.10</sup>	1.50 <sup>+0.10</sup> <sub>0</sub>	0.52 <sup>±0.05</sup>
EXB18V	1406(0502)		1.60 <sup>±0.10</sup>								
EXB24V EXBU24 EXB24AT	1010 (0404)	1.20 <sup>±0.10</sup>	1.20 <sup>±0.10</sup>								
EXB28V EXBU28 EXBN8V	2010 (0804)		2.20 <sup>±0.10</sup>								

## Punched Carrier Taping (4 mm Pitch)

● Chip Resistors / Precision Chip / Metal Film(Thin Film)Chip / Low Resistance / High Power / High Precision / Anti-Surge / Anti-Pulse / Anti-Sulfur (Unit : mm)

Part No.	Size mm (inch)	A	B	W	F	E	P <sub>1</sub>	P <sub>2</sub>	P <sub>0</sub>	φD <sub>0</sub>	T
ERJ3□ ERJ3LW(10 mΩ) ERJ3BW ERJ□□3 ERA3A	1608 (0603)	1.10 <sup>±0.10</sup>	1.90 <sup>±0.10</sup>	8.00 <sup>±0.20</sup>	3.50 <sup>±0.05</sup>	1.75 <sup>±0.10</sup>	4.00 <sup>±0.10</sup>	2.00 <sup>±0.05</sup>	4.00 <sup>±0.10</sup>	1.50 <sup>+0.10</sup> <sub>0</sub>	0.70 <sup>±0.05</sup>
ERJ3LW(5 mΩ)	2012 (0805)										
ERJ6□ ERJ□□6 ERJU6S, U6Q ERA6A		1220(0508)	1.55 <sup>±0.15</sup>								2.30 <sup>±0.20</sup>
ERJB3 ERJ6BW ERJ6LW ERJ6CW	3216 (1206)										
ERJ8□ ERJ8□W ERJ□□8 ERA8A ERJB2		1632(0612)									

# Panasonic Surface Mount Resistors Packaging Method (Taping)

## ● Chip Resistor Array / Anti-Sulfurated Chip Resistor Array / Chip Resistor Networks

(Unit : mm)

Part No.	Size mm (inch)	A	B	W	F	E	P <sub>1</sub>	P <sub>2</sub>	P <sub>0</sub>	φD <sub>0</sub>	T
EXB34V EXBU34	1616(0606)	1.95 <sup>±0.15</sup>	1.95 <sup>±0.20</sup>	8.00 <sup>±0.20</sup>	3.50 <sup>±0.05</sup>	1.75 <sup>±0.10</sup>	4.00 <sup>±0.10</sup>	2.00 <sup>±0.05</sup>	4.00 <sup>±0.10</sup>	1.50 <sup>±0.10</sup>	0.70 <sup>±0.05</sup>
EXB38V EXBU38	3216(1206)		3.60 <sup>±0.20</sup>								
EXB2HV EXBU2H	3816(1506)		4.10 <sup>±0.15</sup>								
EXBV4V	1616(0606)		1.95 <sup>±0.20</sup>								
EXBV8V	3216(1206)		3.60 <sup>±0.20</sup>								
EXBD	3216(1206)	2.00 <sup>±0.20</sup>	3.60 <sup>±0.20</sup>								0.84 <sup>±0.10</sup>
EXBQ	3816(1506)	1.90 <sup>±0.20</sup>	4.10 <sup>±0.20</sup>								0.64 <sup>±0.05</sup>

## Embossed Carrier Taping (1 mm Pitch)

### ● Chip Resistors

(Unit : mm)

Part No.	Size mm (inch)	A	B	W	F	E	P <sub>1</sub>	P <sub>2</sub>	P <sub>0</sub>	φD <sub>0</sub>	T
ERJXGN	0402(01005)	0.25 <sup>±0.05</sup>	0.45 <sup>±0.05</sup>	4.00 <sup>±0.20</sup>	1.80 <sup>±0.05</sup>	0.90 <sup>±0.10</sup>	1.00 <sup>±0.10</sup>	1.00 <sup>±0.10</sup>	2.00 <sup>±0.10</sup>	0.80 <sup>±0.10</sup>	0.5 max.

## Embossed Carrier Taping (4 mm Pitch)

(Unit : mm)

### ● Chip Resistors / Precision Chip / Low Resistance / High Power / Anti-Surge / Anti-Pulse / Anti-Sulfur Pulse / Anti-Sulfur

Part No.	Size mm (inch)	A	B	W	F	E	P <sub>1</sub>	P <sub>2</sub>	P <sub>0</sub>	φD <sub>0</sub>	T	φD <sub>1</sub>	
ERJ14□ ERJ□14	3225 (1210)	2.80 <sup>±0.20</sup>	3.50 <sup>±0.20</sup>	8.00 <sup>±0.30</sup>	3.50 <sup>±0.05</sup>	1.75 <sup>±0.10</sup>	4.00 <sup>±0.10</sup>	2.00 <sup>±0.05</sup>	4.00 <sup>±0.10</sup>	1.50 <sup>±0.10</sup>	1.00 <sup>±0.10</sup>	1.00 <sup>±0.10</sup>	
ERJ12□ ERJ□12	4532 (1812)	3.50 <sup>±0.20</sup>	4.80 <sup>±0.20</sup>	12.00 <sup>±0.30</sup>	5.50 <sup>±0.20</sup>							1.5 min.	
ERJ12Z ERJ12S ERJ□1D	5025 (2010)	2.80 <sup>±0.20</sup>	5.30 <sup>±0.20</sup>										
ERJB1 ERJC1	2550 (1020)	3.60 <sup>±0.20</sup>	6.90 <sup>±0.20</sup>	12.00 <sup>±0.30</sup>	5.50 <sup>±0.20</sup>								
ERJ1T□ ERJ□1T	6432 (2512)												1.60 <sup>±0.10</sup>
ERJL1W													
ERJA1	3264(1225)	3.50 <sup>±0.20</sup>	6.80 <sup>±0.20</sup>										1.10 <sup>±0.20</sup>

### ● Current Sensing Resistors, Metal Plate Type

(Unit : mm)

Part No.	Size mm (inch)	A	B	W	F	E	P <sub>1</sub>	P <sub>2</sub>	P <sub>0</sub>	φD <sub>0</sub>	T	φD <sub>1</sub>		
ERJMP2 (1m Ω)	3216(1206)	1.90 <sup>±0.20</sup>	3.50 <sup>±0.20</sup>	8.00 <sup>±0.30</sup>	3.50 <sup>±0.10</sup>	1.75 <sup>±0.10</sup>	4.00 <sup>±0.10</sup>	2.00 <sup>±0.05</sup>	4.00 <sup>±0.10</sup>	1.50 <sup>±0.10</sup>	1.55 <sup>±0.20</sup>	–		
ERJMP2 (2m Ω)	3216(1206)										1.40 <sup>±0.20</sup>	–		
ERJMP2 (3 to 50m Ω)	3216(1206)										1.10 <sup>±0.20</sup>	–		
ERJMP3 (1 to 2m Ω)	5025(2010)	2.90 <sup>±0.20</sup>	5.40 <sup>±0.20</sup>	12.00 <sup>±0.30</sup>	5.50 <sup>±0.10</sup>						1.55 <sup>±0.20</sup>	–		
ERJMP3 (3 to 50m Ω)	5025(2010)												1.15 <sup>±0.20</sup>	–
ERJMB1	2550(1020)												1.55 <sup>±0.20</sup>	–
ERJMP4 (1 to 2m Ω)	6432(2512)	3.50 <sup>±0.20</sup>	6.90 <sup>±0.20</sup>	12.00 <sup>±0.30</sup>	5.50 <sup>±0.10</sup>								1.60 <sup>±0.20</sup>	1.5 min.
ERJMP4 (3 to 50m Ω)	6432(2512)					1.20 <sup>±0.20</sup>	–							
ERJMS4	6432(2512)					1.60 <sup>±0.20</sup>	1.5 min.							
ERJM1W	6432(2512)					1.80 <sup>±0.20</sup>	1.5 min.							

### ● Chip Resistor Array / Chip Resistor Networks

(Unit : mm)

Part No.	Size mm (inch)	A	B	W	F	E	P <sub>1</sub>	P <sub>2</sub>	P <sub>0</sub>	φD <sub>0</sub>	T	φD <sub>1</sub>
EXBS8V	5022(2029)	2.80 <sup>±0.20</sup>	5.70 <sup>±0.20</sup>	12.00 <sup>±0.30</sup>	5.50 <sup>±0.20</sup>	1.75 <sup>±0.10</sup>	4.00 <sup>±0.10</sup>	2.00 <sup>±0.05</sup>	4.00 <sup>±0.10</sup>	1.50 <sup>±0.10</sup>	1.6 max.	1.5 min.
EXBE	4021(1608)	2.50 <sup>±0.20</sup>	4.40 <sup>±0.20</sup>								1.10 <sup>±0.20</sup>	
EXBA	6431(2512)	3.50 <sup>±0.20</sup>	6.80 <sup>±0.20</sup>									

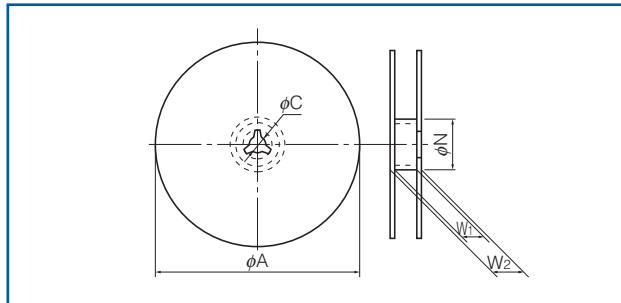
## Embossed Carrier Taping (8 mm Pitch)

● Current Sensing Resistors, Metal Plate Type

(Unit : mm)

Part No.	Size mm (inch)	A	B	W	F	E	P <sub>1</sub>	P <sub>2</sub>	P <sub>0</sub>	φD <sub>0</sub>	T	φD <sub>1</sub>
ERJMS6	6468(2526)	6.90 <sup>±0.20</sup>	7.50 <sup>±0.20</sup>	12.00 <sup>±0.30</sup>	5.50 <sup>±0.05</sup>	1.75 <sup>±0.10</sup>	8.00 <sup>±0.10</sup>	2.00 <sup>±0.05</sup>	4.00 <sup>±0.10</sup>	1.50 <sup>+0.10</sup> <sub>0</sub>	2.45 <sup>±0.20</sup>	1.5 min.

## Taping Reel



(Unit : mm)

Tape Width (W)	φA	φN	φC	W <sub>1</sub>	W <sub>2</sub>
4mm Width	180.0 <sup>±3.0</sup>	60.0 <sup>+1.0</sup> <sub>0</sub>	13.0 <sup>±0.2</sup>	4.5 <sup>±0.5</sup>	7.0 <sup>±0.5</sup>
8mm Width	180.0 <sup>0</sup> <sub>-1.5</sub>			9.0 <sup>+1.0</sup> <sub>0</sub>	11.4 <sup>±1.0</sup>
12mm Width				13.0 <sup>+1.0</sup> <sub>0</sub>	15.4 <sup>±1.0</sup>
24mm Width	380.0 <sup>±2.0</sup>	80.0 <sup>±1.0</sup>		25.4 <sup>±1.0</sup>	29.4 <sup>±1.0</sup>