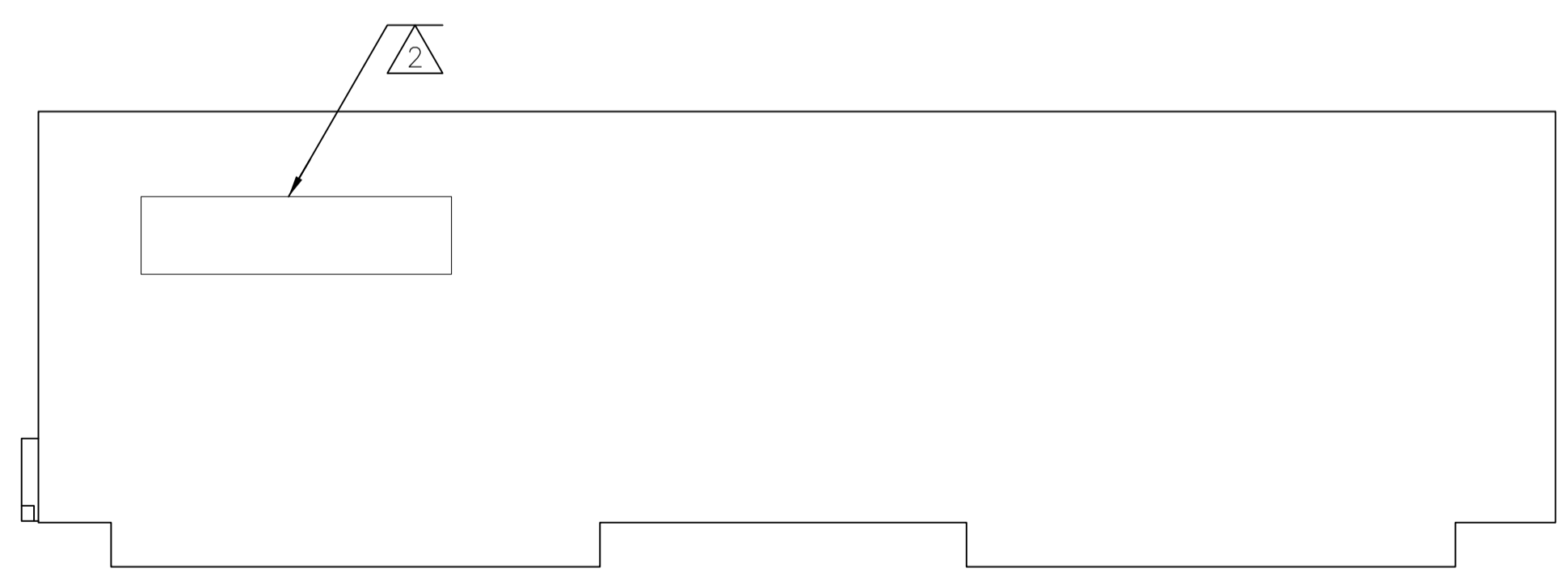
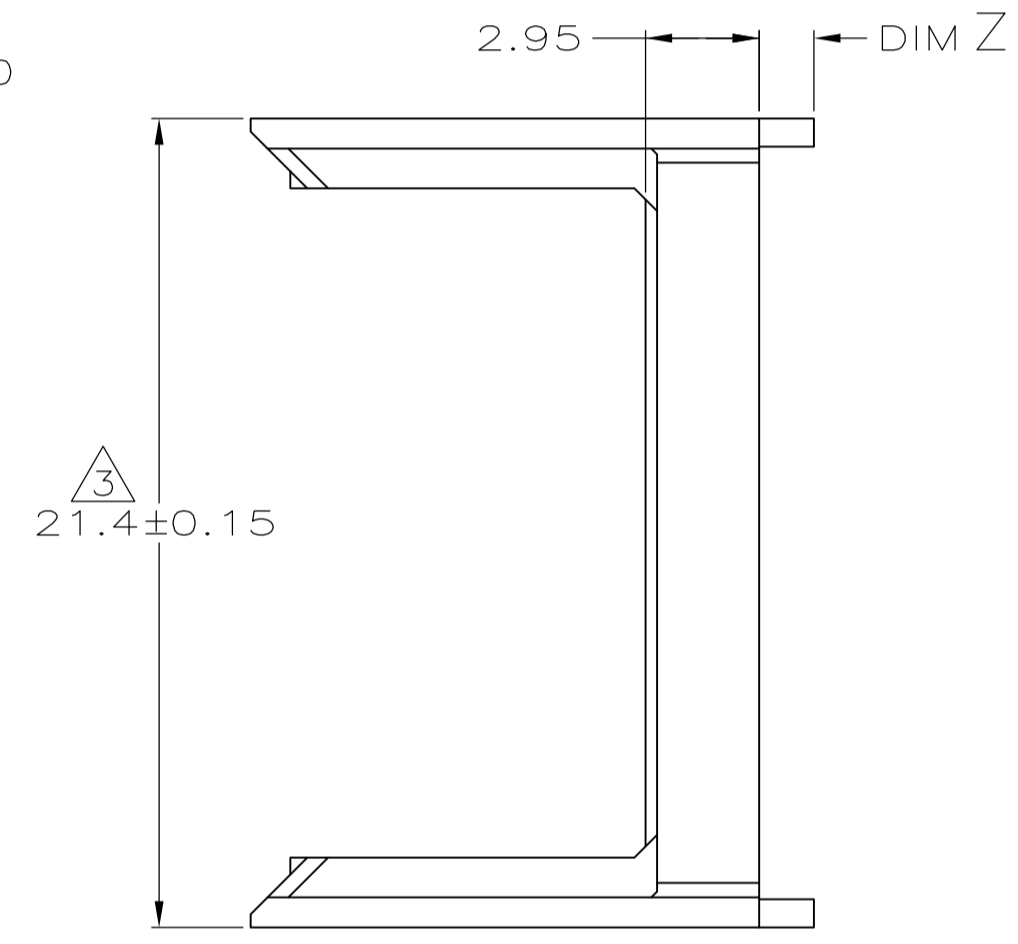
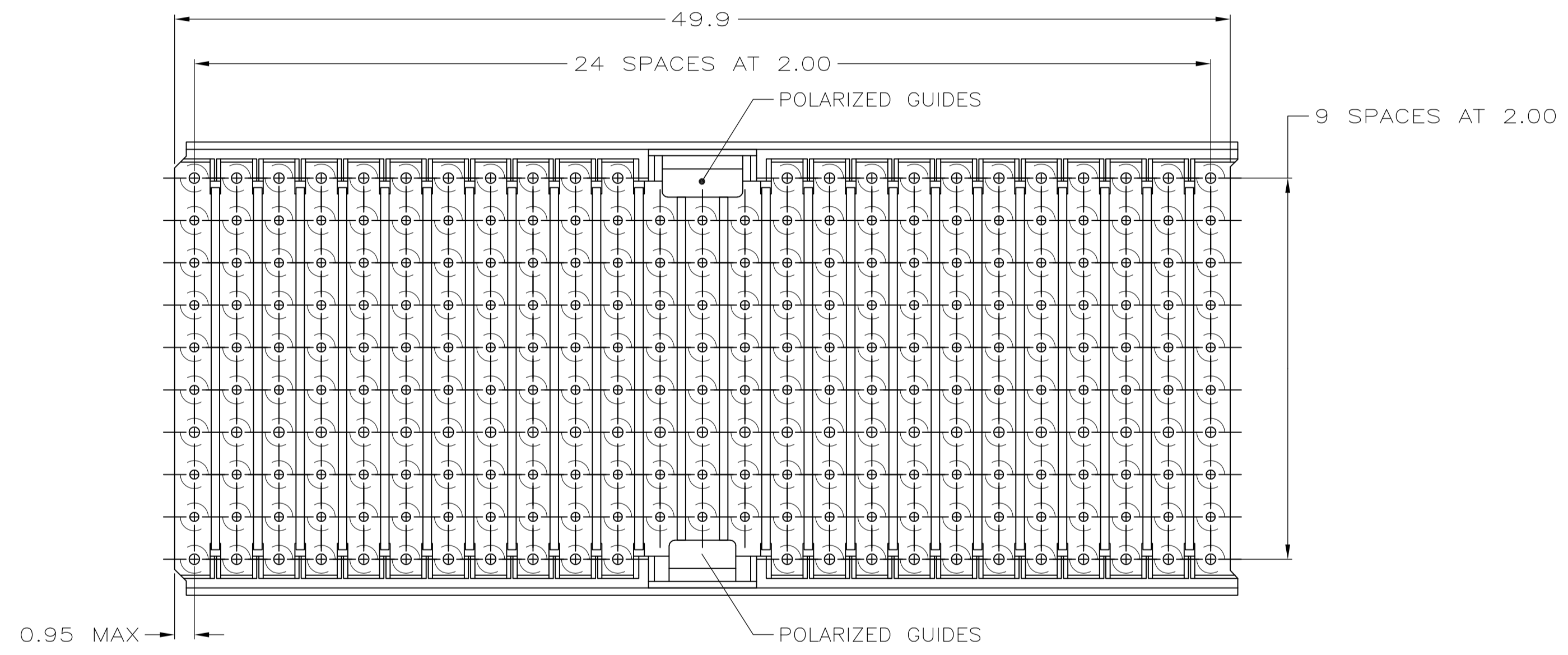
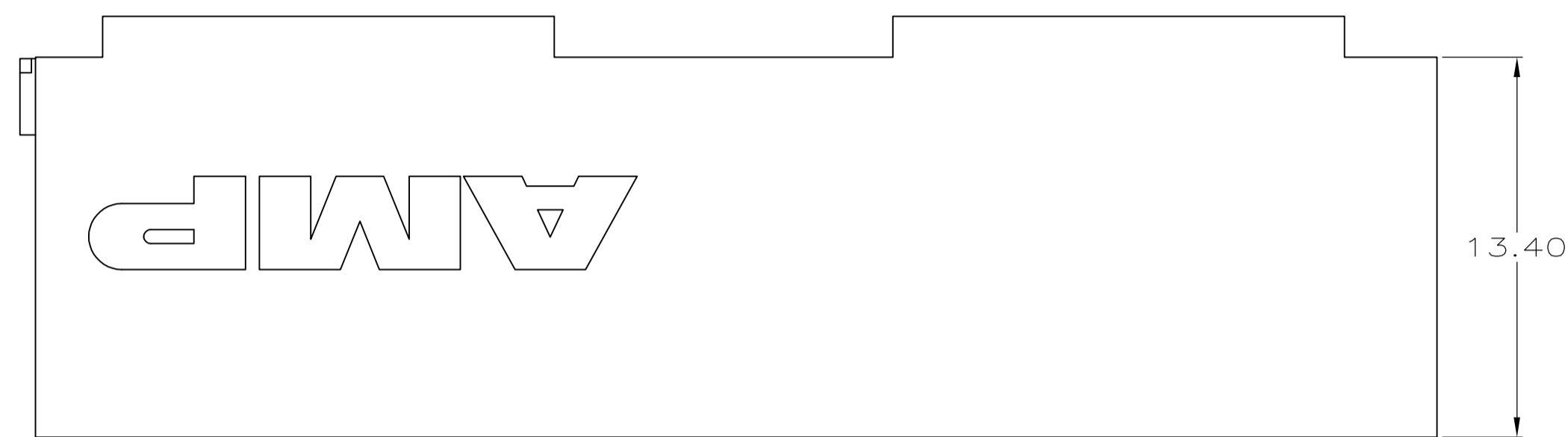


LOC		DIST		REVISIONS			
AD	47	REV	DATE	BY	CHK	APPV	
C		REVISD PER ECO-07-027626	28NOV07	DH	JE		
C1		REVISD PER ECO-10-000443	21JAN10	KK	HMR		
D		ECR-10-019054	15SEP10	DP	MQW		

- △ MATERIAL: GLASS FILLED POLYESTER.
- △ PART NUMBER MARKED IN APPROXIMATE AREA SHOWN.
- △ TO BE MEASURED AT BASE OF SHROUD.
- △ OBSOLETE PARTS: OBSOLETE CIS STREAMLINING PER D.RENAUD/D.SINISI



△ OBSOLETE	△ DIM Z	△ PART NUMBER
1.90		646726-7
1.70		646726-6
1.50		646726-5
1.30		646726-4
1.10		646726-3
0.90		646726-2
-		646726-1

THIS DRAWING IS A CONTROLLED DOCUMENT.

DIMENSIONS: mm	TOLERANCES UNLESS OTHERWISE SPECIFIED: 0-PLC ± 1-PLC ± 0.1 2-PLC ± 0.05 3-PLC ± 0.05 4-PLC ± ANGLES ±	DIN L BRINER 8/20/00 CHK R PATTERSON 8/20/00 APPV R PATTERSON 8/20/00	Tyco Electronics Corporation Harrisburg, PA 17105-3608
MATERIAL △ 1	FINISH -	NAME R PATTERSON 8/20/00	SHROUD, Z-PACK 2mm HM, TYPE D/E, 10 ROW, 244 POSITION
CUSTOMER DRAWING		SIZE A1	SCALE 5:1
		WEIGHT -	SHEET 1 OF 1
		REV C=646726	REV D