



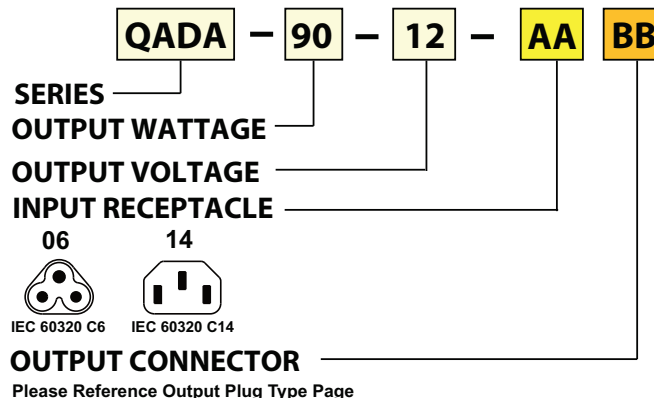
**Features:**

- Universal AC input/ Full Range
- Energy Efficiency Level VI
- ErP Step 2 Compliant
- NRCAN Compliant
- Output Protections: OVP/SCP/OC
- No Load Power Consumption <0.21W
- 1 Year Warranty



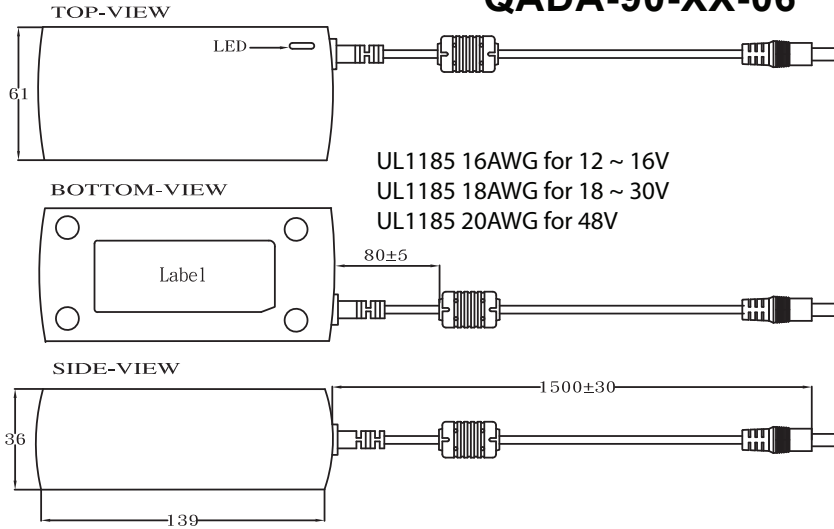
Model	QADA-90-12	QADA-90-15	QADA-90-16	QADA-90-18	QADA-90-19	QADA-90-20	QADA-90-24	QADA-90-30	QADA-90-48
<b>Output Characteristics</b>									
DC Output	12V	15V	16V	18V	19V	20V	24V	30V	48V
Rated Current	7.0A	6.00A	5.63A	5.00A	4.74A	4.50A	3.75A	3.00A	1.88A
Ripple and Noise	±2% Vo @ Rated Load								
Load Regulation (Typ.)	±5%								
Transient Response (Typ.)	0.5mS for 50% Load Change								
Hold-up Time (Typ.)	10mS @ Rated Load								
Output Protection	Short Circuit, Over Voltage, Over Current								
Ferrite Core	Yes								
<b>Input Characteristics</b>									
Voltage Range	100VAC~240VAC								
Frequency Range	50Hz-60Hz								
Efficiency	DoE Level VI, Energy Star, ErP Stage 2, NRCAN & GEMS Level VI Certified								
AC Current (max)	1.2A								
Input Protection	Internal Primary Current Fuse, Inrush Limiting								
Leakage Current	3.5mA								
<b>Environmental Characteristics</b>									
Operating Temperature	0°C~40°C								
Operating Relative Humidity	20% RH to 80% RH								
Storage Temperature	-20°C~80°C, 10% RH to 90% RH								
Topology	Switching Flyback								
Dielectric Withstand	3000VAC Primary-Secondary								
EMI Conduction & Radiation	Compliance to EN55022 Class B								
Harmonic Current	Compliance to EN61000-3-2, 3								
EMS Immunity	IEC61000-4-2, 3, 4, 5, 6, 8, 11								
<b>Characteristics</b>									
MTBF	300,000Hrs (25°C, Telecordia SR-332)								
Dimension (LxWxH)	139x61x36mm (QADA-90-XX-06, with C6 Inlet), 151x64x36mm (QADA-90-XX-14, with C14 Inlet)								
Weight	460g (REF)								

**PART NUMBER SYSTEM**

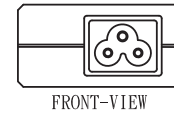


### MECHANICAL SPECIFICATIONS

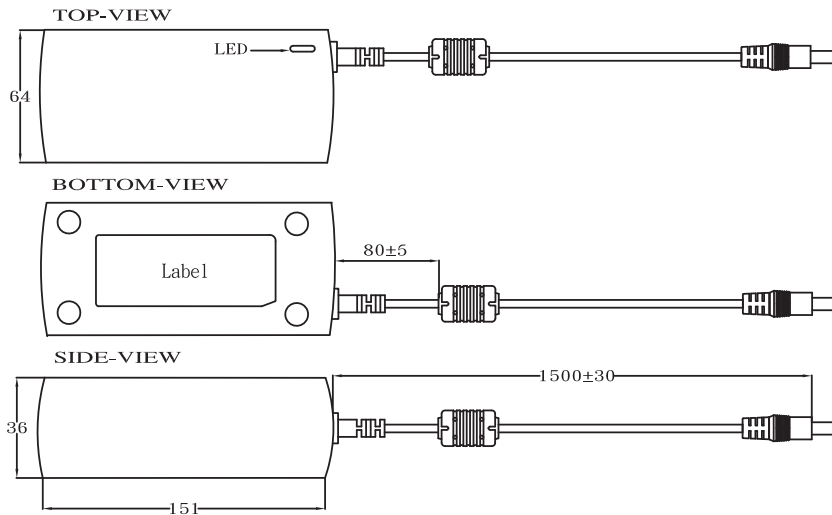
#### QADA-90-XX-06



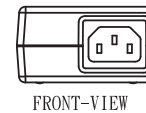
UL1185 16AWG for 12 ~ 16V  
 UL1185 18AWG for 18 ~ 30V  
 UL1185 20AWG for 48V



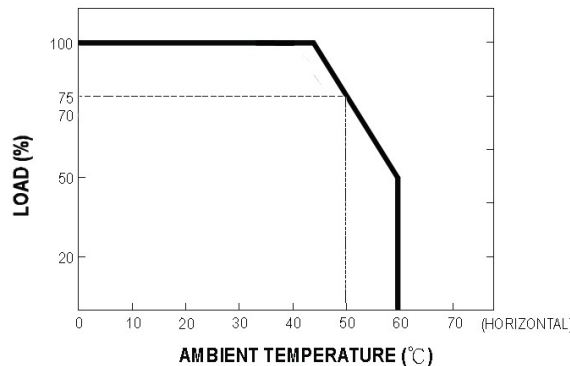
#### QADA-90-XX-14



UL1185 16AWG for 12 ~ 16V  
 UL1185 18AWG for 18 ~ 30V  
 UL1185 20AWG for 48V



### DERATING CURVE



UNIT: mm