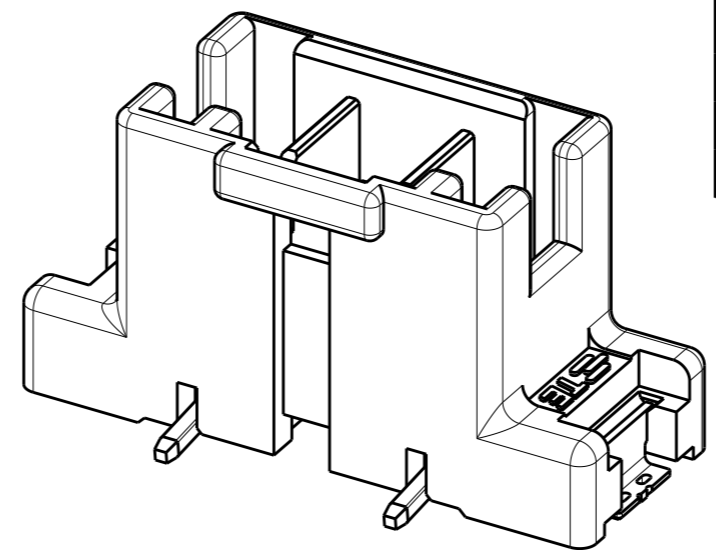


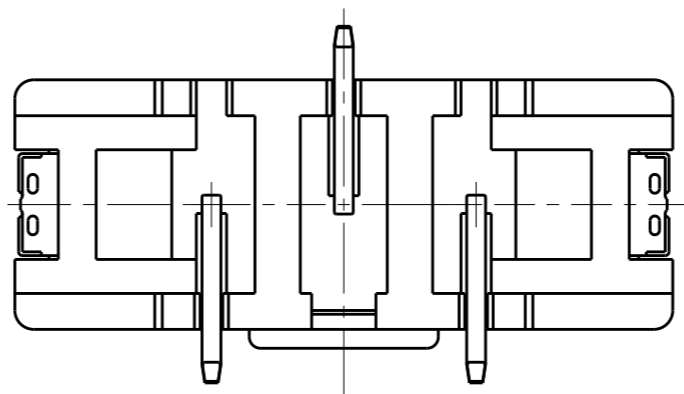
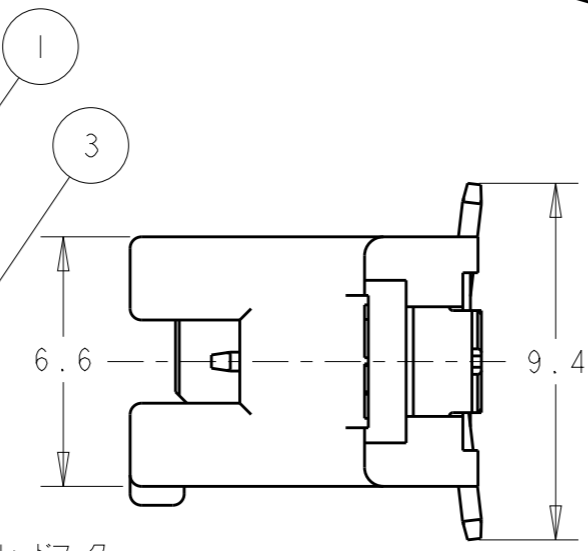
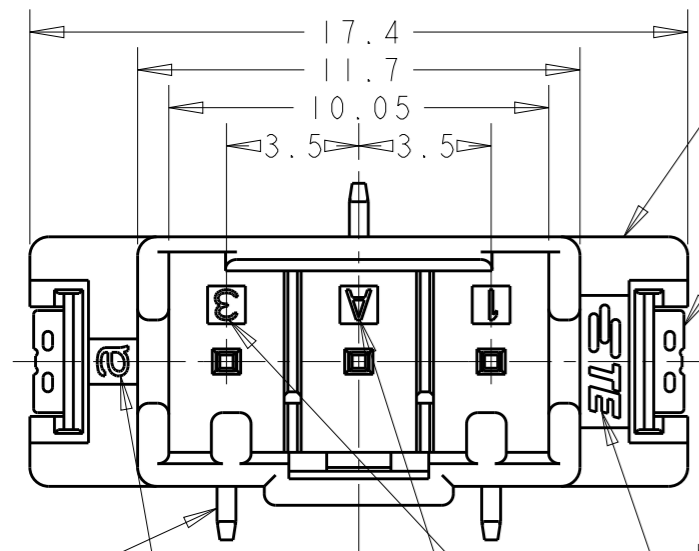
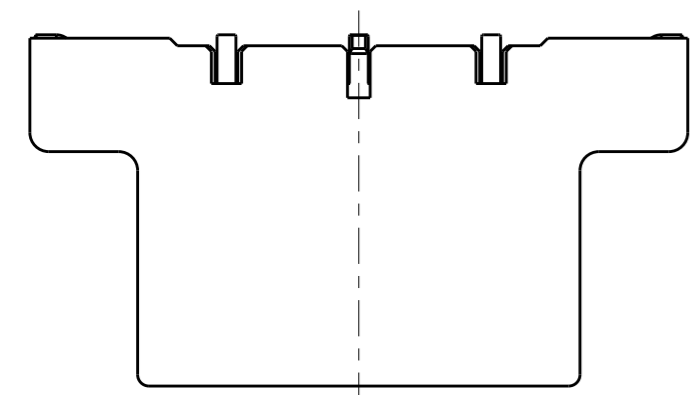
THIS DRAWING IS UNPUBLISHED. RELEASED FOR PUBLICATION 2015
 © COPYRIGHT 2015 BY - ALL RIGHTS RESERVED.

REVISIONS 変更					
P	LTR	DESCRIPTION	DATE	DWN	APVD
	A	RELEASED	07SEP2015	K.S	D.Z
	A1	REVISED PER ECR-15-018160	21DEC2015	K.S	D.Z
	A2	REVISED PER ECR-16-007851	31MAY2016	K.S	D.Z

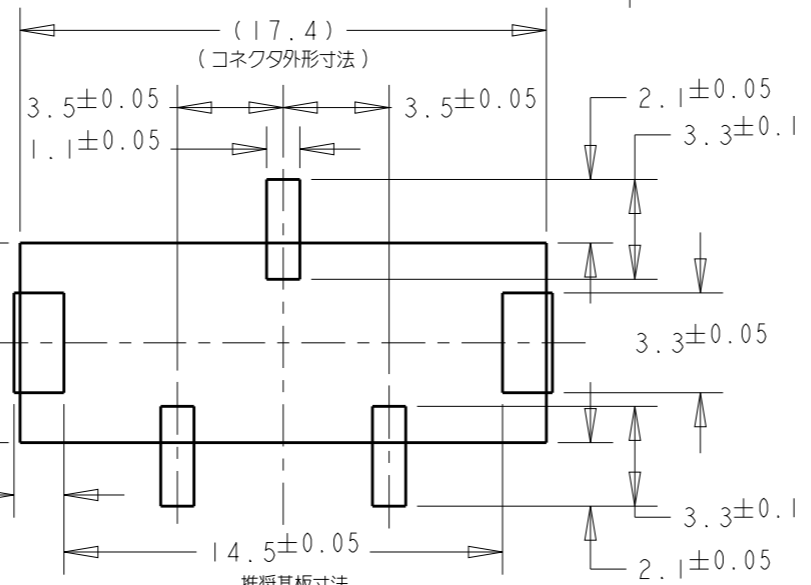
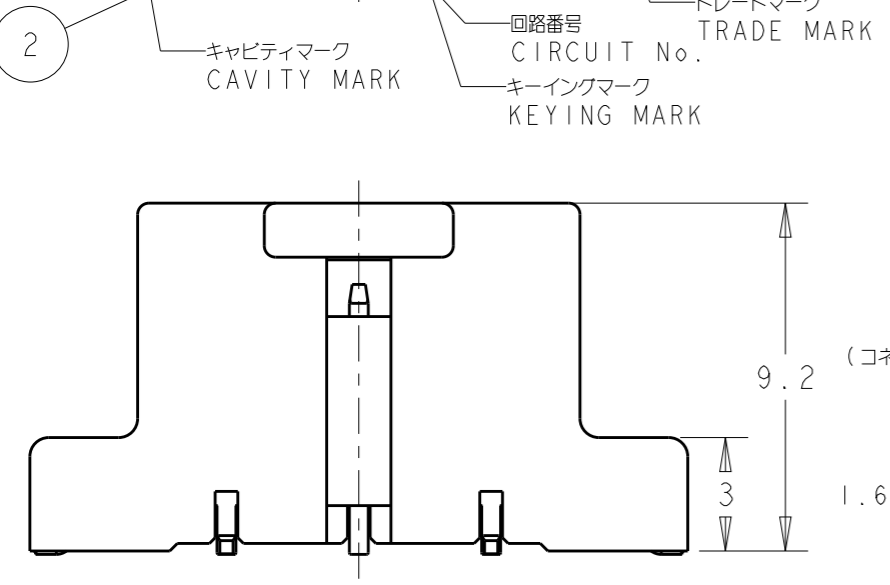
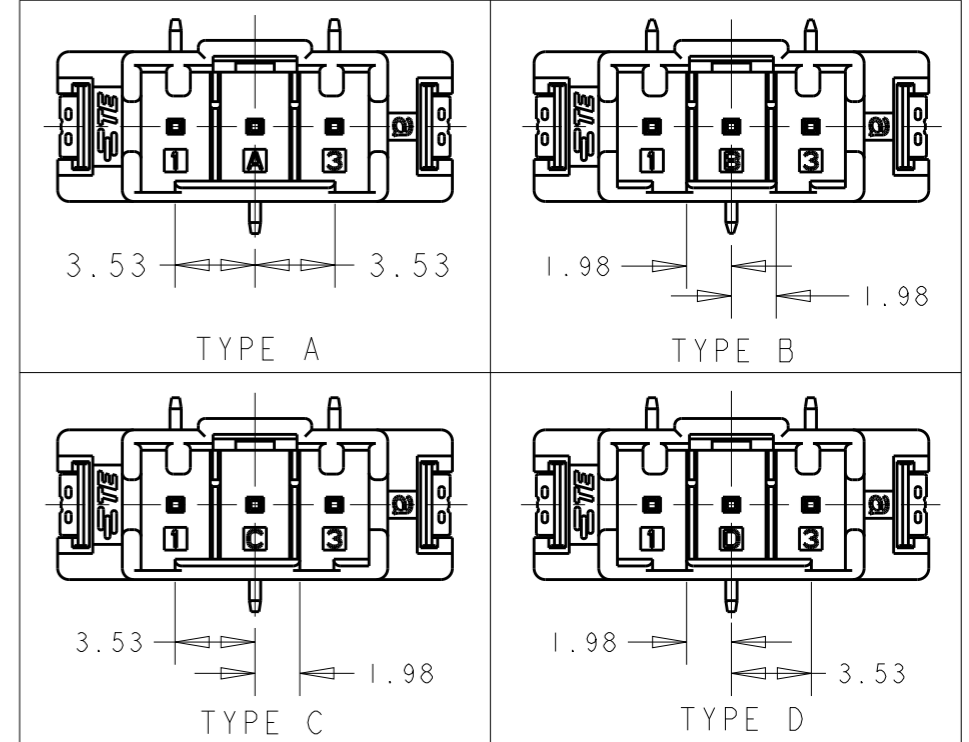


- 1. 適用基板厚 : 1.0+, 1.6+
- 2. コプラナリティ : 0.1MAX.

- 1. APPLICABLE P.C.B THK. : 1.0+, 1.6+
- 2. COPLANARITY : 0.1MAX.



KEYING TYPE (SCALE 3:1)



推奨基板寸法
RECOMMENDED PCB DIMENSIONS
SCALE 4:1

2229813-4	BLUE	TYPE-D	3POS	2229812-4
2229813-3	BROWN	TYPE-C	3POS	2229812-3
2229813-2	BLACK	TYPE-B	3POS	2229812-2
2229813-1	NATURAL	TYPE-A	3POS	2229812-1
嵌合相手製品型番 MATING CONN. P/N	色 COLOR	キーイングタイプ TYPE OF KEYING	極数 POS.	型番 PART NO.

TABLE 1

アイテム ITEM	名称 NAME	材質、表面処理 MATERIAL & FINISH
①	ヘッダーハウジング HEADER HOUSING	高耐熱ナイロン ガラス強化 (UL94V-0) HIGH HEAT RESISTANT NYLON GLASS FILLED (UL94V-0)
②	ポストコンタクト POST CONTACT	錫めっき黄銅 PRE TIN BRASS
③	ペグ PEG	リン青銅 錫めっき仕上げ PHOSPHOR BRONZE TIN PLATE

THIS DRAWING IS A CONTROLLED DOCUMENT.

DIMENSIONS: 単位: 概 mm	TOLERANCES UNLESS OTHERWISE SPECIFIED: 一般公差 ±0.2 0-PLC ± 1-PLC ± 2-PLC ± 3-PLC ± 4-PLC ± ANGLES ±3°
MATERIAL 材料	FINISH 仕上
SEE TABLE 1	SEE TABLE 1

DWN K.SAKAI	07SEP2015
CHK DANIEL ZHANG	07SEP2015
APVD DANIEL ZHANG	07SEP2015
PRODUCT SPEC 製品規格	108-78982
APPLICATION SPEC 取付適用規格	114-5286
WEIGHT	0.76g
CUSTOMER DRAWING	

STE TE Connectivity

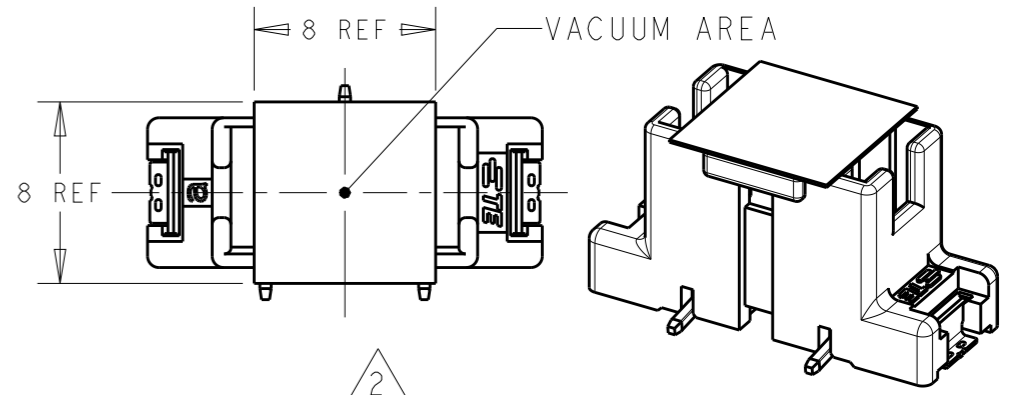
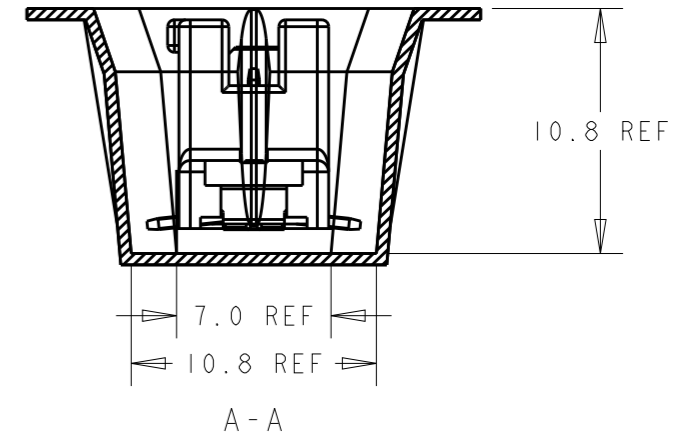
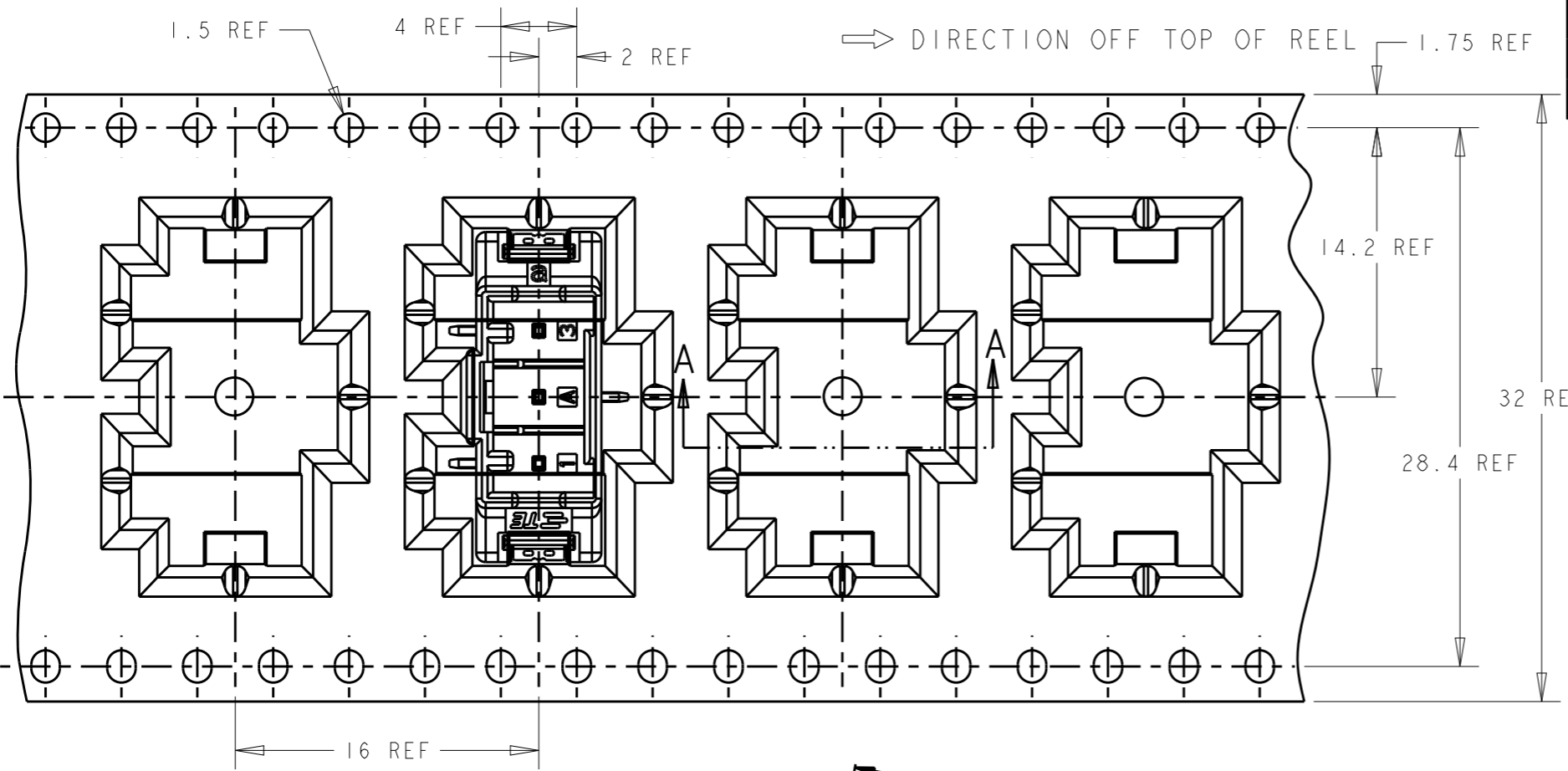
NAME
名称: HEADER ASSEMBLY
MOTOR I/O CONNECTOR

SIZE	CAGE CODE	DRAWING NO 番号	RESTRICTED TO
A3	-	2229812	-

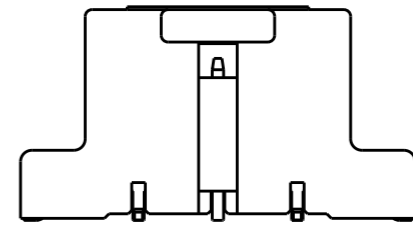
SCALE
尺度: 5:1 SHEET 1 OF 2 REV A2

THIS DRAWING IS UNPUBLISHED. RELEASED FOR PUBLICATION 2015
 © COPYRIGHT 2015 BY - ALL RIGHTS RESERVED.

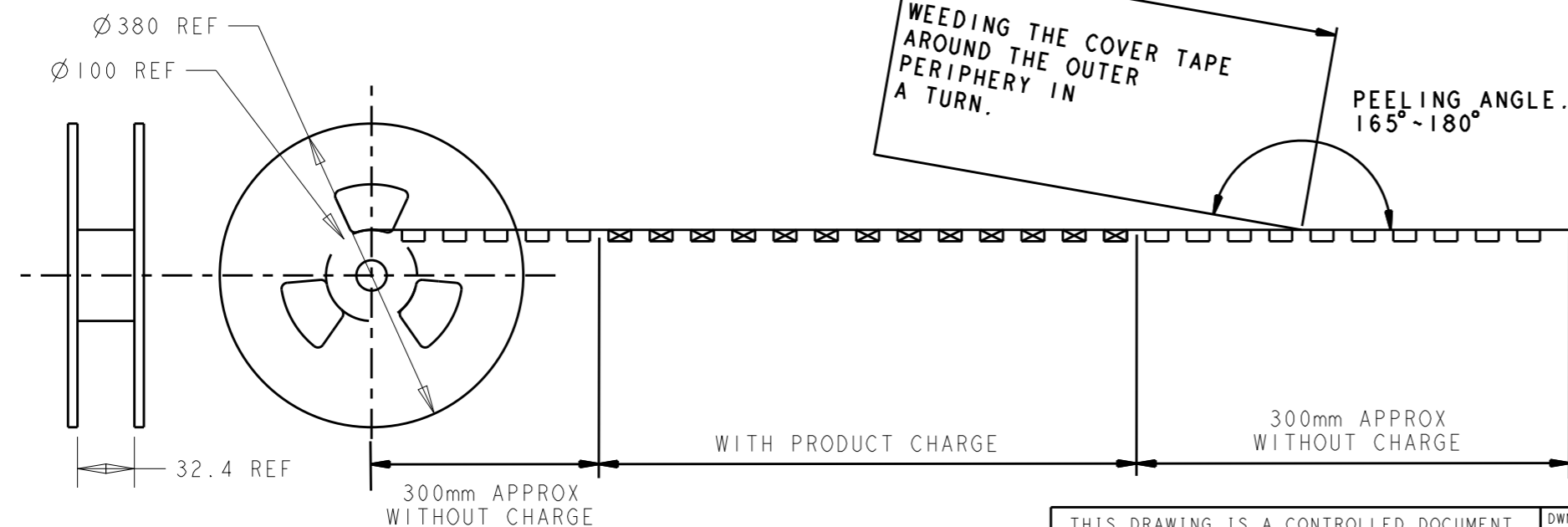
REVISIONS					
P	LTR	DESCRIPTION	DATE	DWN	APVD
-	-	SEE SHEET 1	-	-	-



↑ MEASURING DIRECTION FOR PEELING STRENGTH OF POLYIMIDE TAPE



HEADER ASSEMBLY WITH POLYIMIDE TAPE



1. UNLESS OTHERWISE SPECIFIED TOLERANCE PER EIA-481.
 2. PEELING STRENGTH OF POLYIMIDE TAPE : 0.1N MIN.
 PEELING SPEED : 100mm/MINUTE

THIS DRAWING IS A CONTROLLED DOCUMENT.		DWN	TE Connectivity NAME 名称: HEADER ASSEMBLY MOTOR I/O CONNECTOR				
DIMENSIONS: 單位: 耗 mm		CHK					
TOLERANCES UNLESS OTHERWISE SPECIFIED:		APVD					
一般公差 0 PLC ± 1 PLC ± 2 PLC ± 3 PLC ± 4 PLC ± ANGLES ±3°		PRODUCT SPEC 製品規格					
MATERIAL 材料		FINISH 仕上	APPLICATION SPEC 取付適用規格	SIZE A3	CAGE CODE -	DRAWING NO 番号 C-2229812	RESTRICTED TO -
		WEIGHT	CUSTOMER DRAWING		SCALE 尺度 NTS	SHEET 2 OF 2	REV A2